

JVC

SERVICE MANUAL

CD RECEIVER

KD-G456

Area suffix

UH----- Thailand

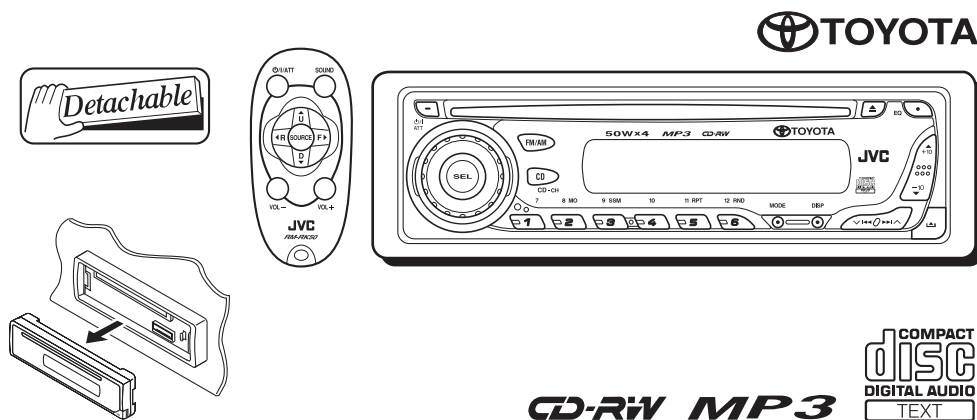


TABLE OF CONTENTS

1	PRECAUTIONS	1-3
2	SPECIFIC SERVICE INSTRUCTIONS	1-6
3	DISASSEMBLY	1-7
4	ADJUSTMENT	1-25
5	TROUBLESHOOTING	1-26

SPECIFICATION

AUDIO AMPLIFIER SECTION

Maximum Power Output	Front	50 W per channel
	Rear	50 W per channel
Continuous Power Output (RMS)	Front	19 W per channel into 4 Ω 40 Hz to 20 000 Hz at no more than 0.8% total harmonic distortion.
	Rear	19 W per channel into 4 Ω 40 Hz to 20 000 Hz at no more than 0.8% total harmonic distortion.
Load Impedance	4 Ω (4 Ω to 8 Ω allowance)	
Tone Control Range	Bass	± 10 dB at 100 Hz
	Treble	± 10 dB at 100 Hz
Frequency Response	40 Hz to 20 000 Hz	
Signal-to-Noise Ratio	70 dB	
Line-Out Level/Impedance	2.0 V/20 k Ω load (full scale)	
Output Impedance	1 k Ω	
Output terminals	CD changer	

TUNER SECTION

Frequency Range	FM	87.5 MHz to 108.0 MHz
	AM	531 kHz to 1 602 kHz
FM Tuner	Usable Sensitivity	11.3 dBf (1.0 μ V/75 Ω)
	50 dB Quieting Sensitivity	16.3 dBf (1.8 μ V/75 Ω)
	Alternate Channel Selectivity (400 kHz)	65 dB
	Frequency Response	40 Hz to 15 000 Hz
	Stereo Separation	35 dB
	Capture Ratio	1.5 dB
AM Tuner	Sensitivity	20 μ V
	Selectivity	35 dB

CD PLAYER SECTION

Type	Compact disc player	
Signal Detection System	Non-contact optical pickup (semiconductor laser)	
Number of channels	2 channels (stereo)	
Frequency Response	5 Hz to 20 000 Hz	
Dynamic Range	96 dB	
Signal-to-Noise Ratio	98 dB	
Wow and Flutter	Less than measurable limit	
MP3 decoding format	MPEG 1/2 Audio Layer 3 Max. Bit Rate: 320 Kbps	


GENERAL


Power Requirement	Operating Voltage	DC 14.4 V (11 V to 16 V allowance)
Grounding System	Negative ground	
Allowable Operating Temperature	0°C to +40°C	
Dimensions (W \times H \times D)	Installation Size (approx.)	182 mm \times 52 mm \times 150 mm
	Panel Size (approx.)	188 mm \times 58 mm \times 11 mm
Mass (approx.)	1.4 kg (excluding accessories)	

Design and specifications are subject to change without notice.

SECTION 1 PRECAUTIONS

1.1 Safety Precautions

 **CAUTION** Burrs formed during molding may be left over on some parts of the chassis. Therefore, pay attention to such burrs in the case of performing repair of this system.

 **CAUTION** Please use enough caution not to see the beam directly or touch it in case of an adjustment or operation check.

1.2 Preventing static electricity

Electrostatic discharge (ESD), which occurs when static electricity stored in the body, fabric, etc. is discharged, can destroy the laser diode in the traverse unit (optical pickup). Take care to prevent this when performing repairs.

1.2.1 Grounding to prevent damage by static electricity

Static electricity in the work area can destroy the optical pickup (laser diode) in devices such as CD players.

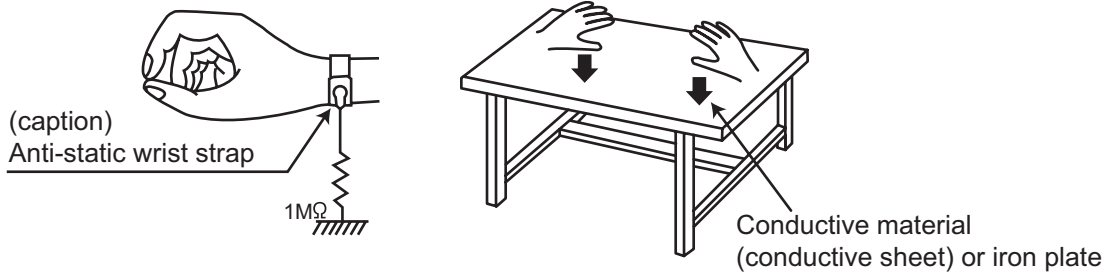
Be careful to use proper grounding in the area where repairs are being performed.

(1) Ground the workbench

Ground the workbench by laying conductive material (such as a conductive sheet) or an iron plate over it before placing the traverse unit (optical pickup) on it.

(2) Ground yourself

Use an anti-static wrist strap to release any static electricity built up in your body.



(3) Handling the optical pickup

- In order to maintain quality during transport and before installation, both sides of the laser diode on the replacement optical pickup are shorted. After replacement, return the shorted parts to their original condition. (Refer to the text.)
- Do not use a tester to check the condition of the laser diode in the optical pickup. The tester's internal power source can easily destroy the laser diode.

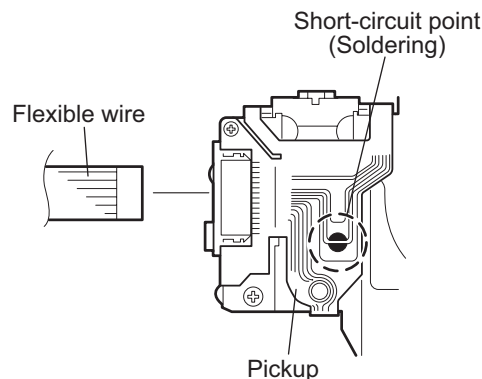
1.3 Handling the traverse unit (optical pickup)

- (1) Do not subject the traverse unit (optical pickup) to strong shocks, as it is a sensitive, complex unit.
- (2) Cut off the shorted part of the flexible cable using nippers, etc. after replacing the optical pickup. For specific details, refer to the replacement procedure in the text. Remove the anti-static pin when replacing the traverse unit. Be careful not to take too long a time when attaching it to the connector.
- (3) Handle the flexible cable carefully as it may break when subjected to strong force.
- (4) It is not possible to adjust the semi-fixed resistor that adjusts the laser power. Do not turn it.

1.4 Attention when traverse unit is decomposed

***Please refer to "Disassembly method" in the text for the CD pickup unit.**

- Apply solder to the short land before the flexible wire is disconnected from the connector on the CD pickup unit. (If the flexible wire is disconnected without applying solder, the CD pickup may be destroyed by static electricity.)
- In the assembly, be sure to remove solder from the short land after connecting the flexible wire.



1.5 Important for laser products

1.CLASS 1 LASER PRODUCT


2.DANGER : Invisible laser radiation when open and interlock failed or defeated. Avoid direct exposure to beam.

3.CAUTION : There are no serviceable parts inside the Laser Unit. Do not disassemble the Laser Unit. Replace the complete Laser Unit if it malfunctions.

4.CAUTION : The CD,MD and DVD player uses invisible laser radiation and is equipped with safety switches which prevent emission of radiation when the drawer is open and the safety interlocks have failed or are defeated. It is dangerous to defeat the safety switches.

5.CAUTION : If safety switches malfunction, the laser is able to function.

6.CAUTION : Use of controls, adjustments or performance of procedures other than those specified here in may result in hazardous radiation exposure.

 **CAUTION** Please use enough caution not to see the beam directly or touch it in case of an adjustment or operation check.

CAUTION : Visible and invisible laser radiation when open and interlock failed or defeated.
AVOID DIRECT EXPOSURE TO BEAM.

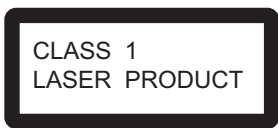
ADVARSEL : Synlig og usynlig laserstråling når maskinen er åben eller interlocken fejler. Undgå direkte eksponering til stråling.

VARNING : Synlig och osynlig laserstråling när den öppnas och spärren är urkopplad. Betrakta ej strålen.

VARO : Avattaessa ja suojalukitus ohitettuna tai viallisena olet alttiina näkyvälle ja näkymättömälle lasersäteilylle. Vältä säteen kohdistumista suoraan itseesi.

REPRODUCTION AND POSITION OF LABELS

WARNING LABEL



<p>CAUTION : Visible and invisible laser radiation when open and interlock failed or defeated. AVOID DIRECT EXPOSURE TO BEAM. (e)</p>	<p>ADVARSEL : Synlig og usynlig laserstråling når maskinen er åben eller interlocken fejler. Undgå direkte eksponering til stråling. (d)</p>	<p>VARNING : Synlig och osynlig laserstråling när den öppnas och spärren är urkopplad. Betrakta ej strålen. (s)</p>	<p>VARO : Avattaessa ja suojalukitus ohitettuna tai viallisena olet alttiina näkyvälle ja näkymättömälle lasersäteilylle. Vältä säteen kohdistumista suoraan itseesi. (f)</p>
--	---	--	--

SECTION 2
SPECIFIC SERVICE INSTRUCTIONS

This service manual does not describe SPECIFIC SERVICE INSTRUCTIONS.

SECTION 3 DISASSEMBLY

3.1 Main body section

3.1.1 Removing the front panel assembly (See Fig.1)

- (1) Push the detach button in the lower right part of the front panel assembly and remove the front panel assembly.

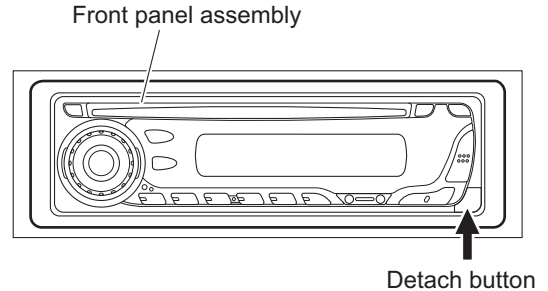


Fig.1

3.1.2 Removing the bottom cover (See Fig.2)

- (1) Turn the main body up side down.
- (2) Insert a screwdriver under the joints to release the two joints **a** on the left side, two joints **b** on the right side and joint **c** on the back side of the main body, then remove the bottom cover from the main body.

Note:

When releasing the joints using a screwdriver, do not damage the main board.

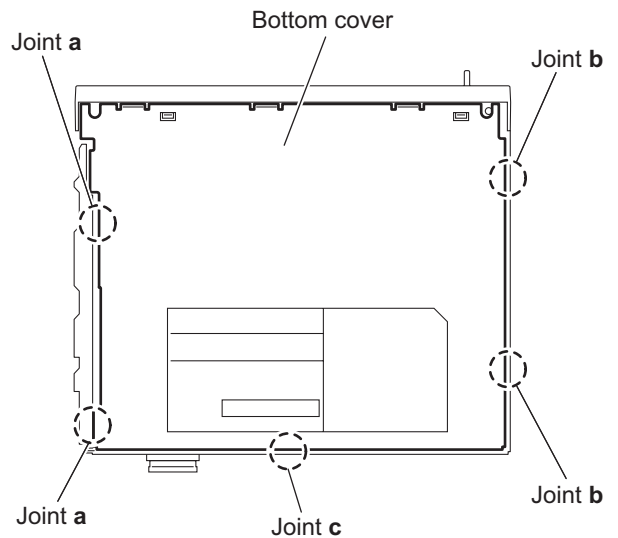


Fig.2

3.1.3 Removing the front chassis assembly (See Fig.3)

- Prior to performing the following procedures, remove the front panel assembly and bottom cover.
- (1) Remove the two screws **A** on the both sides of the main body.
 - (2) Release the two joints **d** and two joints **e** on the both sides of the main body, then remove the front chassis assembly toward the front.

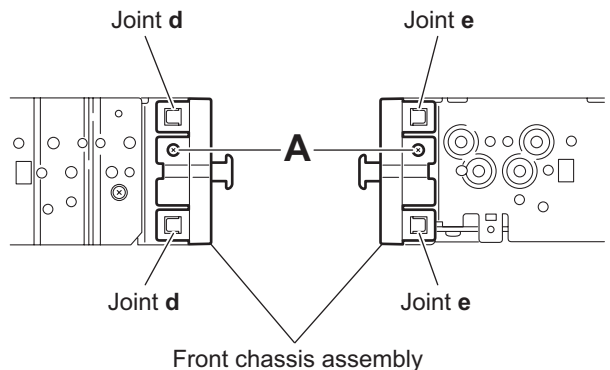


Fig.3

3.1.4 Removing the side panel (See Fig.4)

- Prior to performing the following procedure, remove the front panel assembly as required.
 - (1) Remove the screw **B** and two screws **C** attaching the side panel on the left side of the main body, and take out the side panel.

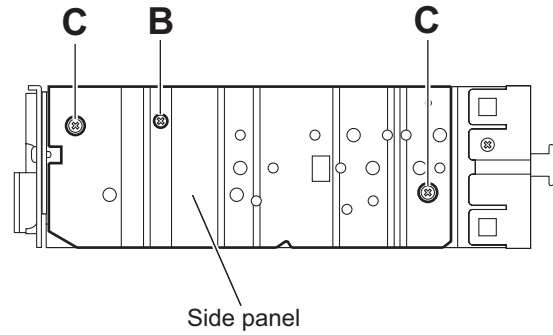


Fig.4

3.1.5 Removing the rear bracket (See Fig.5)

- Prior to performing the following procedure, remove the bottom cover.
 - (1) Remove the three screws **D**, three screws **E** and three screws **F** attaching the rear bracket on the back side of the main body.
 - (2) Take out the rear bracket.

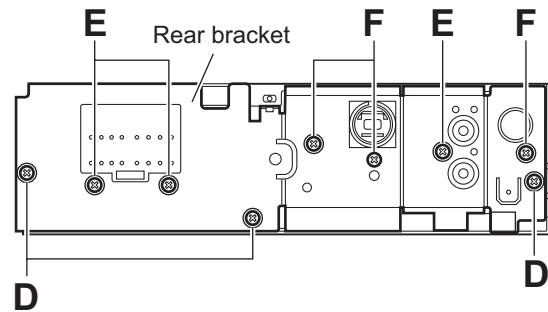


Fig.5

3.1.6 Removing the main board (See Fig.6)

- Prior to performing the following procedures, remove the front panel assembly, bottom cover, front chassis assembly, side panel and rear bracket.
 - (1) Remove the two screws **G** attaching the main board.
 - (2) Disconnect the connector [CN501](#) on the main board from the main body and take out the main board.

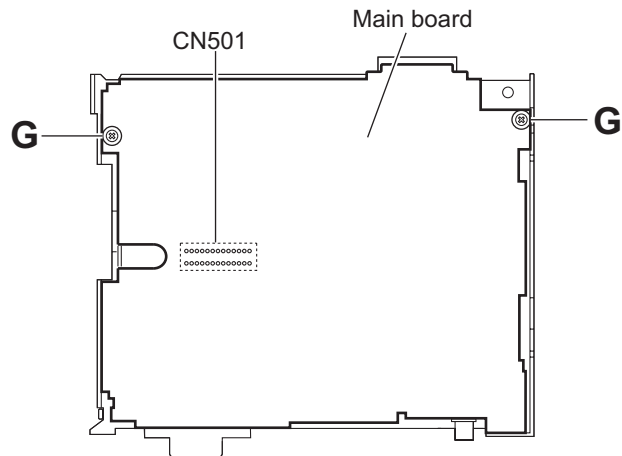


Fig.6

3.1.7 Removing the CD mechanism assembly (See Fig. 7)

- Prior to performing the following procedure, remove the front panel assembly, bottom cover, side panel, rear bracket and main board.
- Remove the front chassis assembly as required.
 - (1) Remove the three screws **H** attaching the CD mechanism assembly on the top chassis.
 - (2) Take out the CD mechanism assembly.

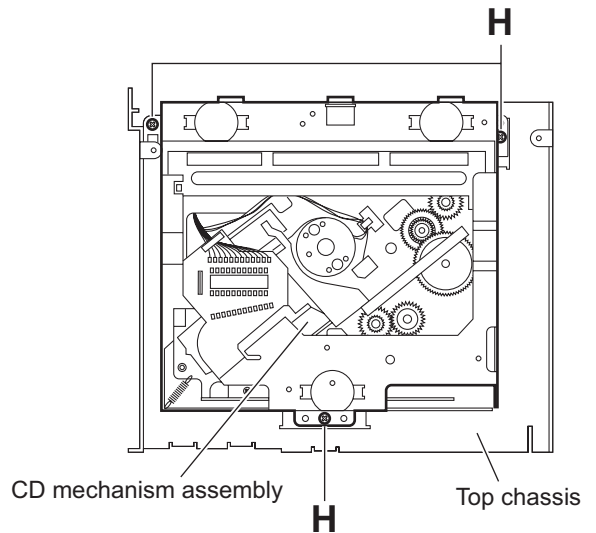


Fig.7

3.1.8 Removing the switch board (See Figs.8 to 10)

- Prior to performing the following procedures, remove the front panel assembly.
 - (1) Remove the four screws **J** on the back side of the front panel assembly. (See Fig.8)
 - (2) Release the ten joints **f** and remove the rear cover. (See Fig.9)
 - (3) Release the joint **g** and take out the switch board from the front panel assembly. (See Fig.10)

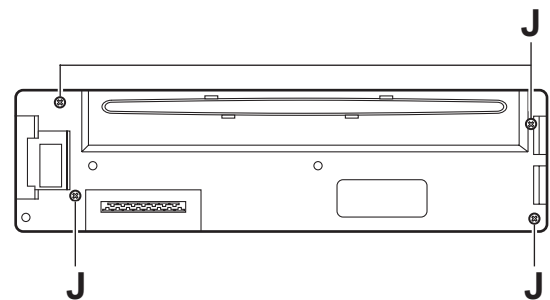


Fig.8

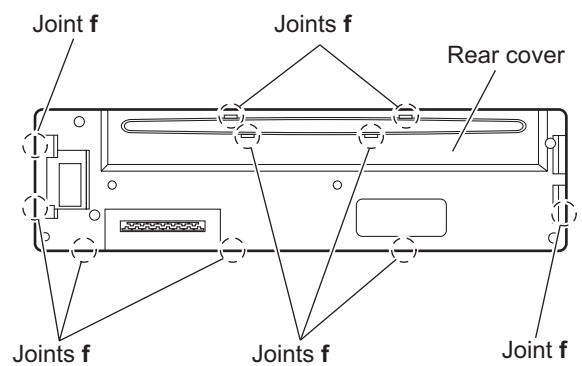


Fig.9

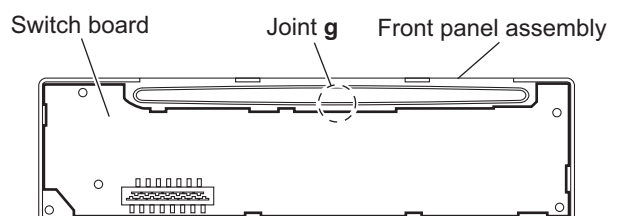


Fig.10

3.2 CD Mechanism Assembly

3.2.1 Removing the top cover (See Figs.1 and 2)

- (1) Remove the two screws **A** on the both side of the body.
- (2) Lift the front side of the top cover and move the top cover backward to release the two joints **a**.

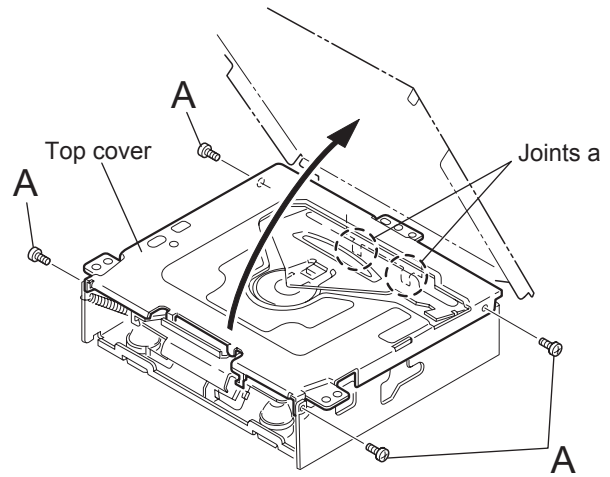


Fig.1

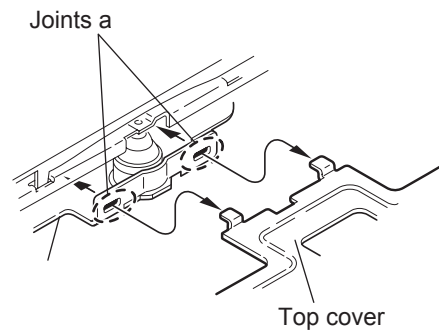


Fig.2

3.2.2 Removing the connector board (See Figs.3 to 5)

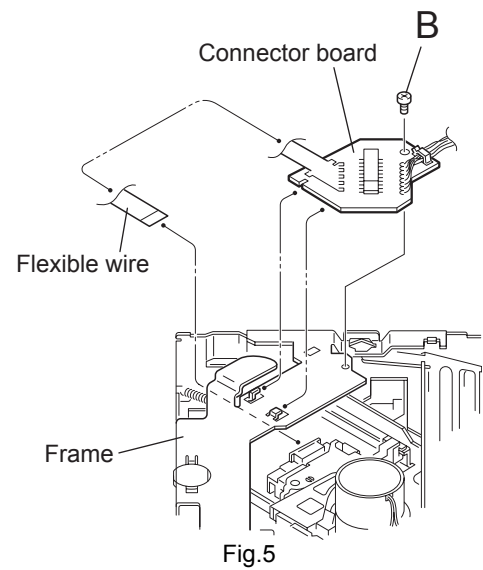
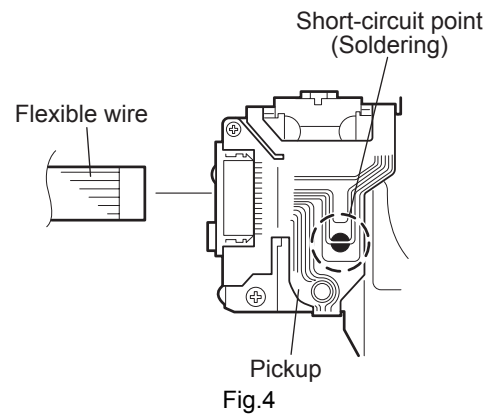
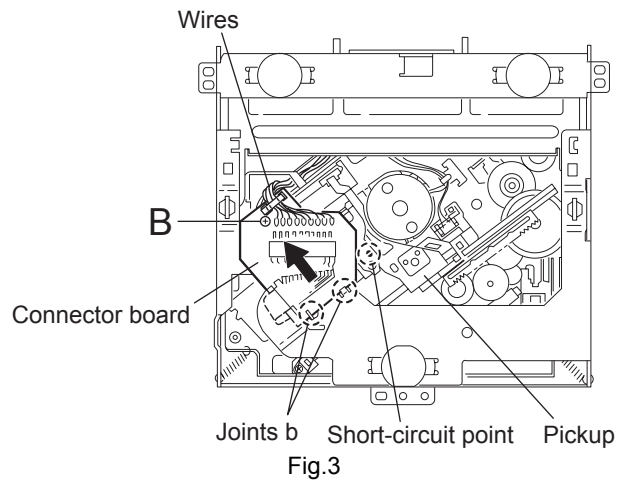
CAUTION:

Before disconnecting the flexible wire from the pickup, solder the short-circuit point on the pickup. No observance of this instruction may cause damage of the pickup.

- (1) Remove the screw **B** fixing the connector board.
- (2) Solder the short-circuit point on the connector board.
- (3) Disconnect the flexible wire from the pickup.
- (4) Move the connector board in the direction of the arrow to release the two joints **b**.
- (5) Unsolder the wire on the connector board if necessary.

CAUTION:

Unsolder the short-circuit point after reassembling.



3.2.3 Removing the DET switch (See Figs.6 and 7)

- (1) Extend the two tabs c of the feed sw. holder and pull out the switch.
- (2) Unsolder the DET switch wire if necessary.

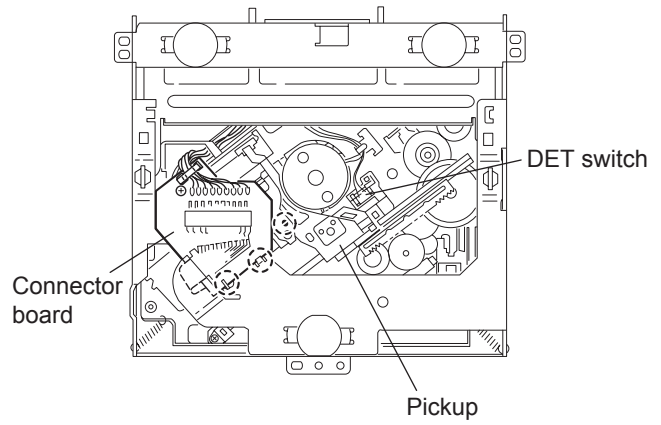


Fig.6

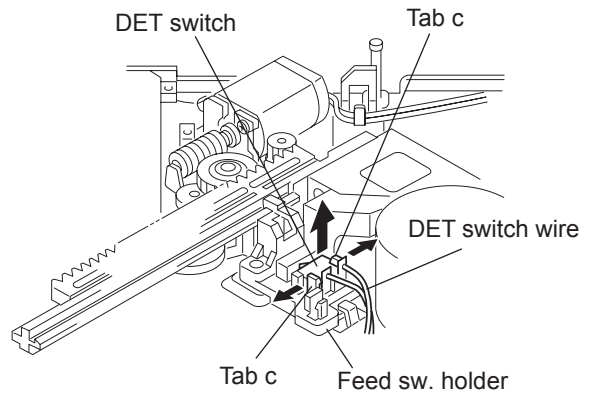


Fig.7

3.2.4 Removing the chassis unit (See Figs.8 and 9)

- Prior to performing the following procedure, remove the top cover and connector board.
 - (1) Remove the two suspension springs (L) and (R) attaching the chassis unit to the frame.

CAUTION:

- The shape of the suspension spring (L) and (R) are different. Handle them with care.
- When reassembling, make sure that the three shafts on the underside of the chassis unit are inserted to the dampers certainly.

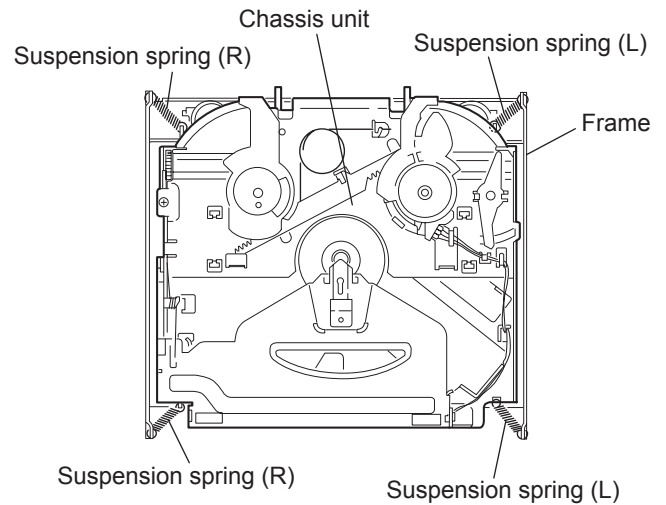


Fig.8

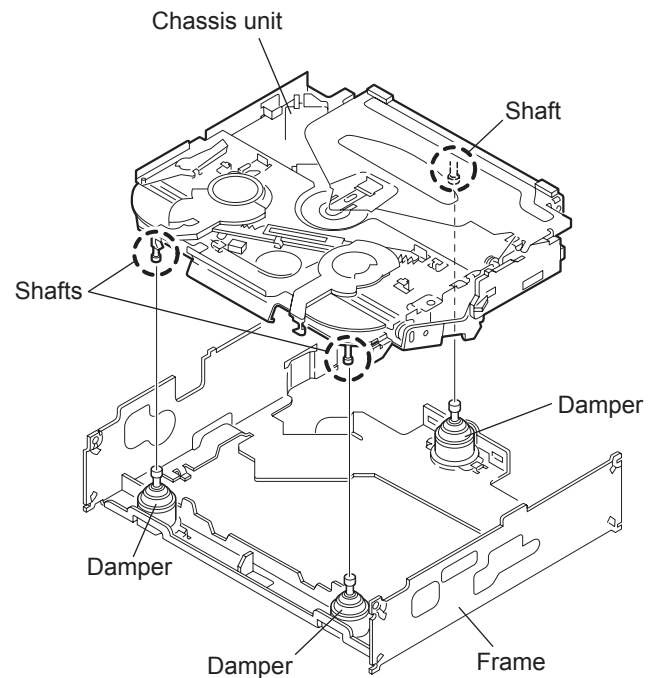
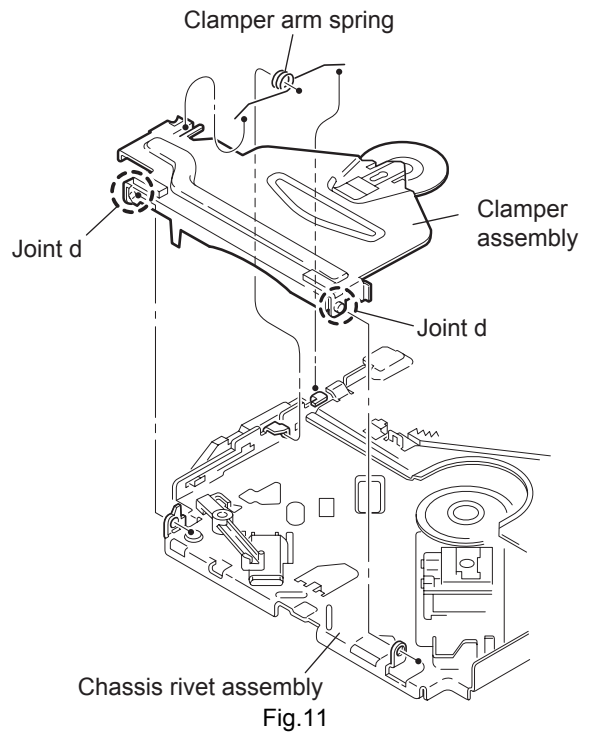
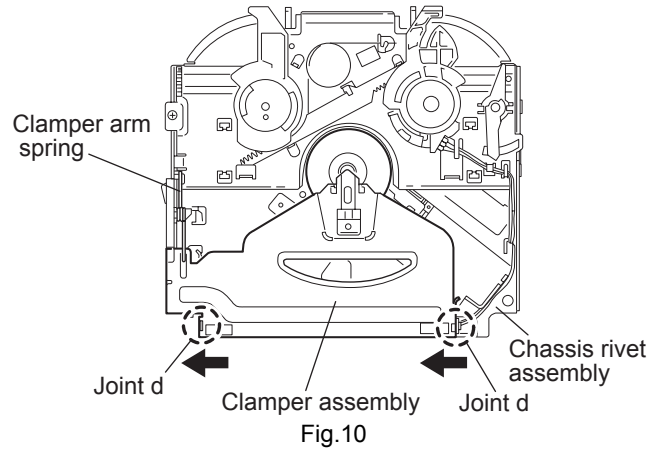


Fig.9

3.2.5 Removing the clamper assembly (See Figs.10 and 11)

- Prior to performing the following procedure, remove the top cover.
 - (1) Remove the clamper arm spring.
 - (2) Move the clamper assembly in the direction of the arrow to release the two joints d.

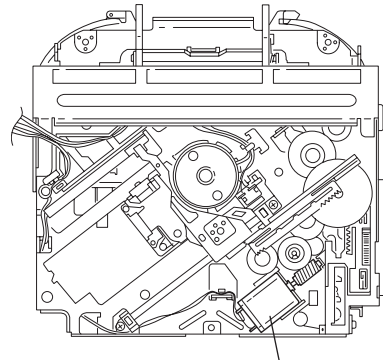


3.2.6 Removing the loading / feed motor assembly (See Figs.12 and 13)

- Prior to performing the following procedure, remove the top cover, connector board and chassis unit.
 - (1) Remove the screw **C** and move the loading / feed motor assembly in the direction of the arrow to remove it from the chassis rivet assembly.
 - (2) Disconnect the wire from the loading / feed motor assembly if necessary.

CAUTION:

When reassembling, connect the wire from the loading / feed motor assembly to the flame as shown in Fig.12.



Loading / feed motor assembly
Fig.12

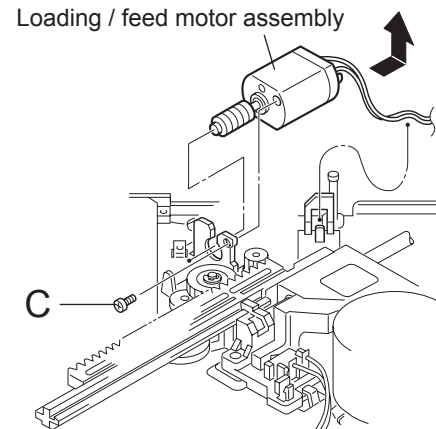


Fig.13

3.2.7 Removing the pickup unit (See Figs.14 to 18)

- Prior to performing the following procedure, remove the top cover, connector board and chassis unit.
 - (1) Remove the screw **D** and pull out the pu. shaft holder from the pu. shaft.
 - (2) Remove the screw **E** attaching the feed sw. holder.
 - (3) Move the part **e** of the pickup unit upward with the pu. shaft and the feed sw. holder, then release the joint **f** of the feed sw. holder in the direction of the arrow. The joint **g** of the pickup unit and the feed rack is released, and the feed sw. holder comes off.
 - (4) Remove the pu. shaft from the pickup unit.
 - (5) Remove the screw **F** attaching the feed rack to the pickup unit.

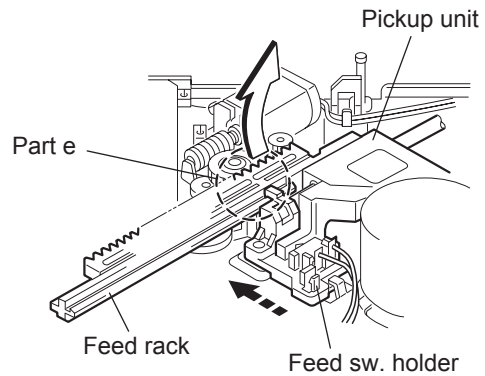


Fig. 15

3.2.8 Reattaching the pickup unit (See Figs.14 to 17)

- (1) Reattach the feed rack to the pickup unit using the screw **F**.
- (2) Reattach the feed sw. holder to the feed rack while setting the joint **g** to the slot of the feed rack and setting the part **f** of the feed rack to the switch of the feed sw. holder correctly.
- (3) As the feed sw. holder is temporarily attached to the pickup unit, set to the gear of the joint **g** and to the bending part of the chassis (joint **h**) at a time.

CAUTION:

Make sure that the part **i** on the underside of the feed rack is certainly inserted to the slot **j** of the change lock lever.

- (4) Reattach the feed sw. holder using the screw **E**.
- (5) Reattach the pu. shaft to the pickup unit. Reattach the pu. shaft holder to the pu. shaft using the screw **D**.

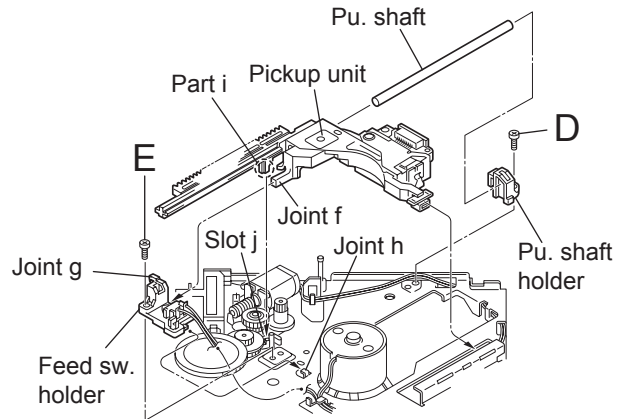


Fig. 16

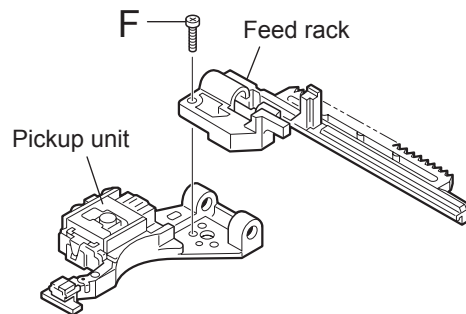


Fig. 17

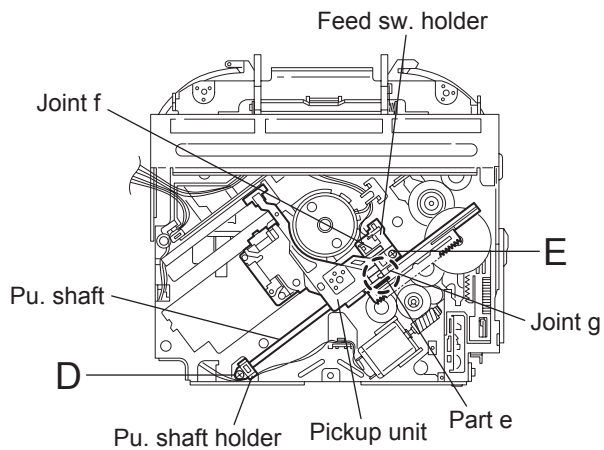


Fig. 14

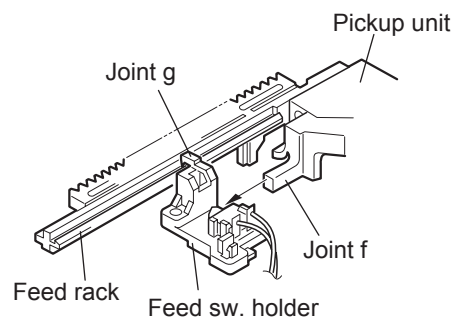


Fig. 18

3.2.9 Removing the trigger arm (See Figs.19 and 20)

- Prior to performing the following procedure, remove the top cover, connector board and clamper unit.
 - (1) Turn the trigger arm in the direction of the arrow to release the joint **k** and pull out upward.

CAUTION:

When reassembling, insert the part **m** and **n** of the trigger arm into the part **p** and **q** at the slot of the chassis rivet assembly respectively and join the joint **k** at a time.

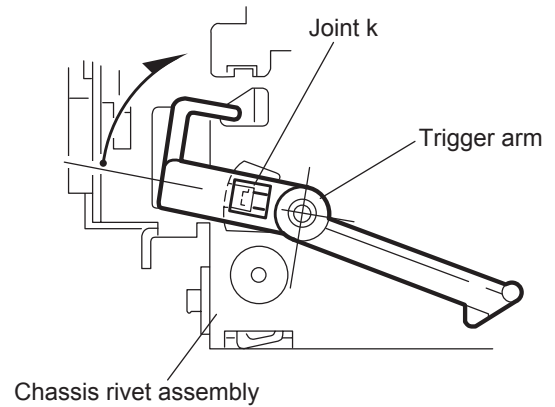


Fig.19

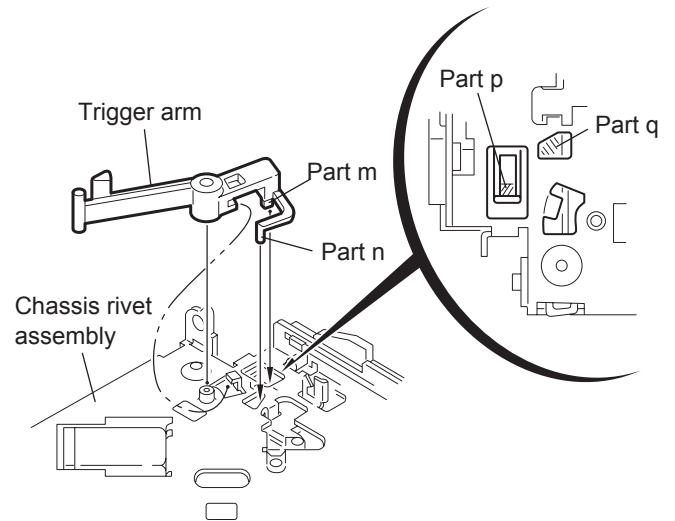


Fig.20

3.2.10 Removing the top plate assembly (See Fig.21)

- Prior to performing the following procedure, remove the top cover, connector board, chassis unit, and clamper assembly.
 - (1) Remove the screw **H**.
 - (2) Move the top plate assembly in the direction of the arrow to release the two joints **r**.
 - (3) Unsolder the wire marked **s** if necessary.

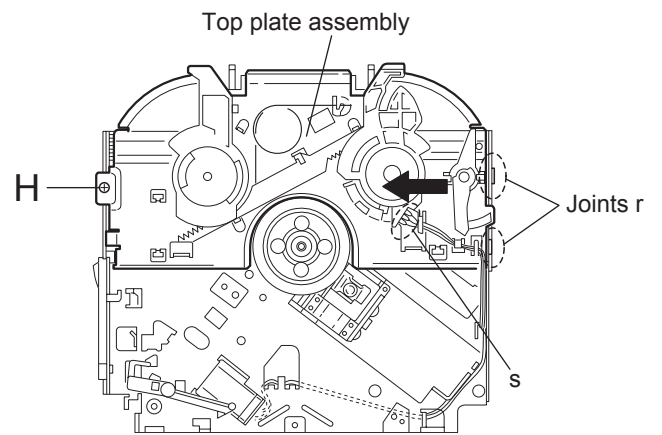


Fig.21

3.2.11 Removing the mode sw. / select lock arm (See Figs.22 and 23)

- Prior to performing the following procedure, remove the top plate assembly.
 - (1) Bring up the mode sw. to release from the link plate (joint **t**) and turn in the direction of the arrow to release the joint **u**.
 - (2) Unsolder the wire of the mode sw. marked **s** if necessary.
 - (3) Turn the select lock arm in the direction of the arrow to release the two joints **v**.
 - (4) The select lock arm spring comes off the select lock arm at the same time.

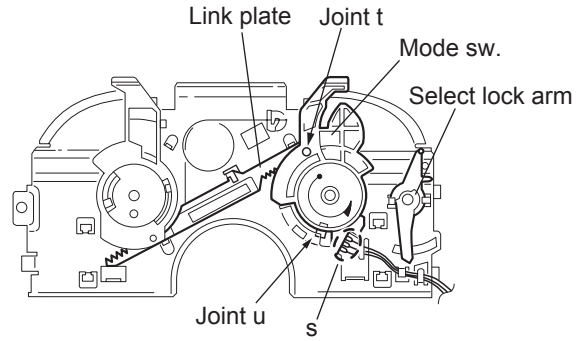


Fig.22

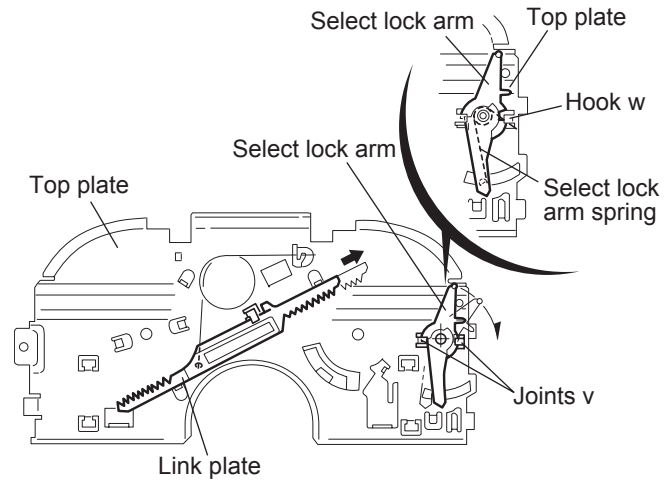


Fig.23

3.2.12 Reassembling the mode sw. / select lock arm (See Figs.24 to 26)

REFERENCE:

Reverse the above removing procedure.

- (1) Reattach the select lock arm spring to the top plate and set the shorter end of the select lock arm spring to the hook w on the top plate.
- (2) Set the other longer end of the select lock arm spring to the boss x on the underside of the select lock arm, and join the select lock arm to the slots (joint v). Turn the select lock arm as shown in the figure.
- (3) Reattach the mode sw. while setting the part t to the first peak of the link plate gear, and join the joint u.

CAUTION:

When reattaching the mode sw., check if the points y and z are correctly fitted and if each part operates properly.

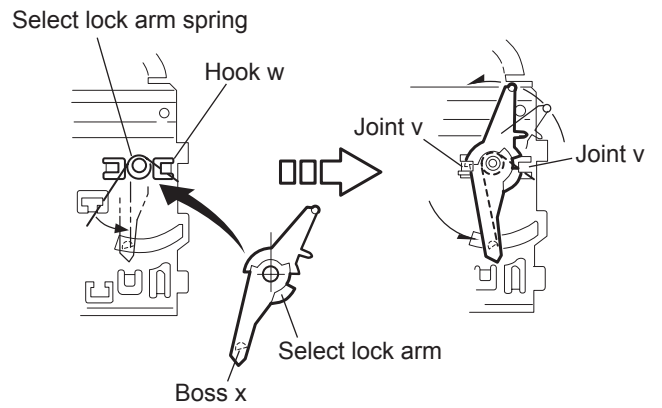


Fig.24

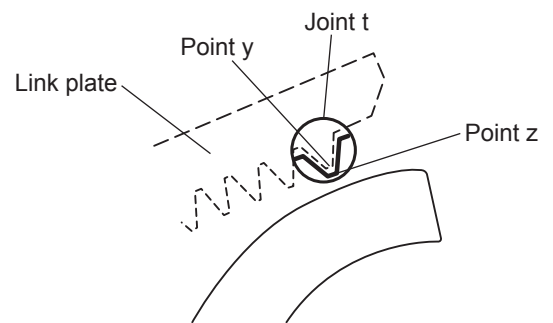


Fig.25

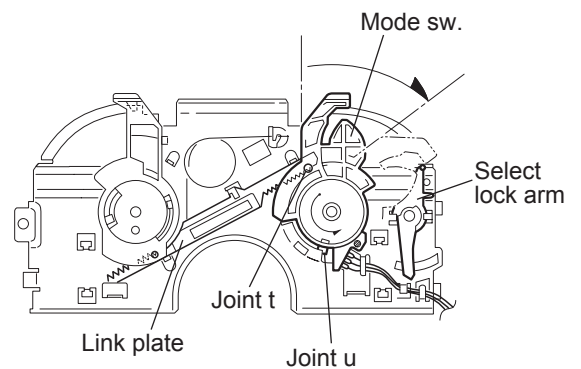


Fig.26

3.2.13 Removing the select arm R / link plate
(See Figs.27 and 28)

• Prior to performing the following procedure, remove the top plate assembly.

- (1) Bring up the select arm R to release from the link plate (joint a') and turn as shown in the figure to release the two joints b' and joint c'.
- (2) Move the link plate in the direction of the arrow to release the joint d'. Remove the link plate spring at the same time.

REFERENCE:

Before removing the link plate, remove the mode sw..

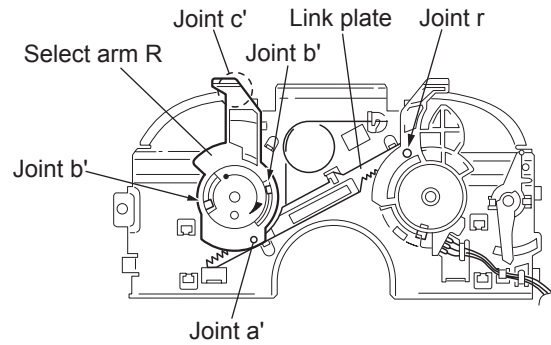


Fig.27

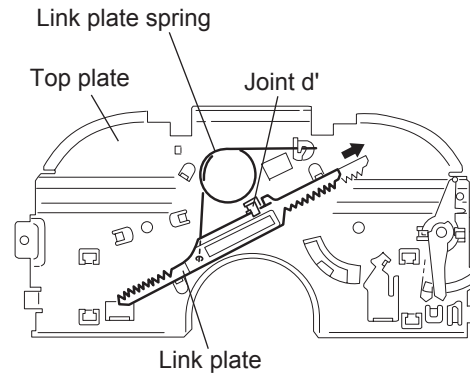


Fig.28

3.2.14 Reattaching the Select arm R / link plate
(See Figs.29 and 30)

REFERENCE:

Reverse the above removing procedure.

- (1) Reattach the link plate spring.
- (2) Reattach the link plate to the link plate spring while joining them at joint d'.
- (3) Reattach the joint a' of the select arm R to the first peak of the link plate while joining the two joints b' with the slots. Then turn the select arm R as shown in the figure. The top plate is joined to the joint c'.

CAUTION:

When reattaching the select arm R, check if the points e' and f' are correctly fitted and if each part operates properly.

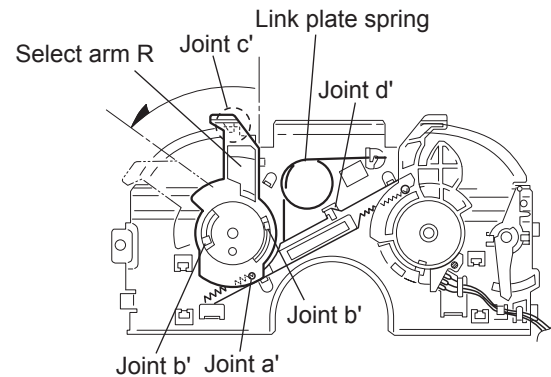


Fig.29

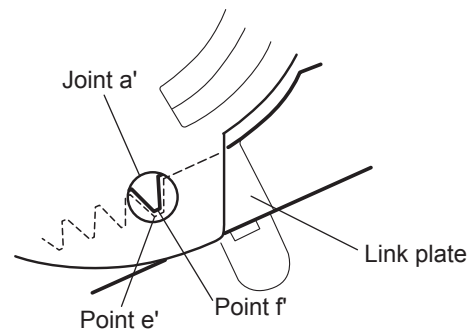


Fig.30

3.2.15 Removing the loading roller assembly
(See Figs.31 to 33)

- Prior to performing the following procedure, remove the clamper assembly and top plate assembly.
- (1) Push inward the loading roller assembly on the gear side and detach it upward from the slot of the joint **g'** of the lock arm rivet assembly.
- (2) Detach the loading roller assembly from the slot of the joint **h'** of the lock arm rivet assembly.

The roller guide comes off the gear section of the loading roller assembly.

Remove the roller guide and the HL washer from the shaft of the loading roller assembly.

- (3) Remove the screw **J** attaching the lock arm rivet assembly.
- (4) Push the shaft at the joint **i'** of the lock arm rivet assembly inward to release the lock arm rivet assembly from the slot of the **L** side plate.
- (5) Extend the lock arm rivet assembly outward and release the joint **j'** from the boss of the chassis rivet assembly. The roller guide springs on both sides come off at the same time.

CAUTION:

When reassembling, reattach the left and right roller guide springs to the lock arm rivet assembly before reattaching the lock arm rivet assembly to the chassis rivet assembly. Make sure to fit the part **k'** of the roller guide spring inside of the roller guide. (Refer to Fig.34.)

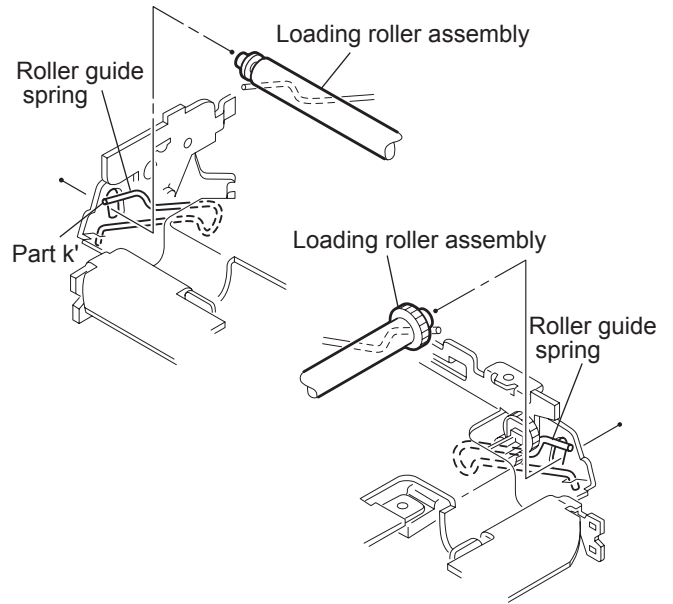


Fig.32

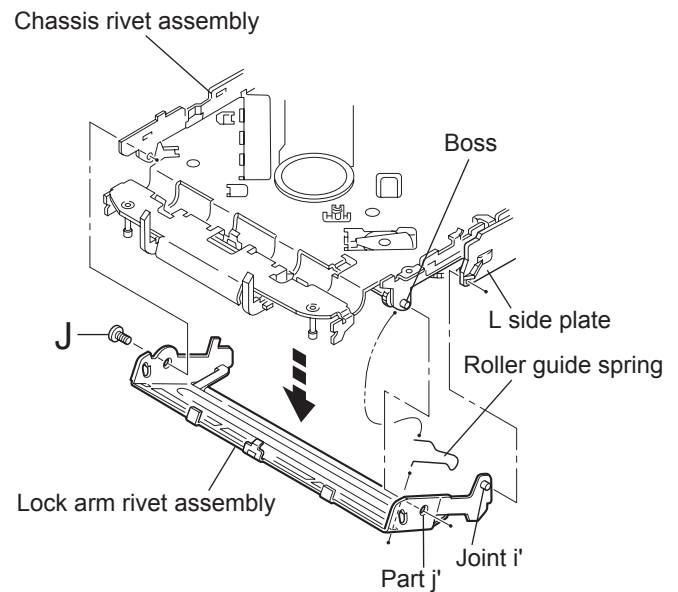


Fig.33

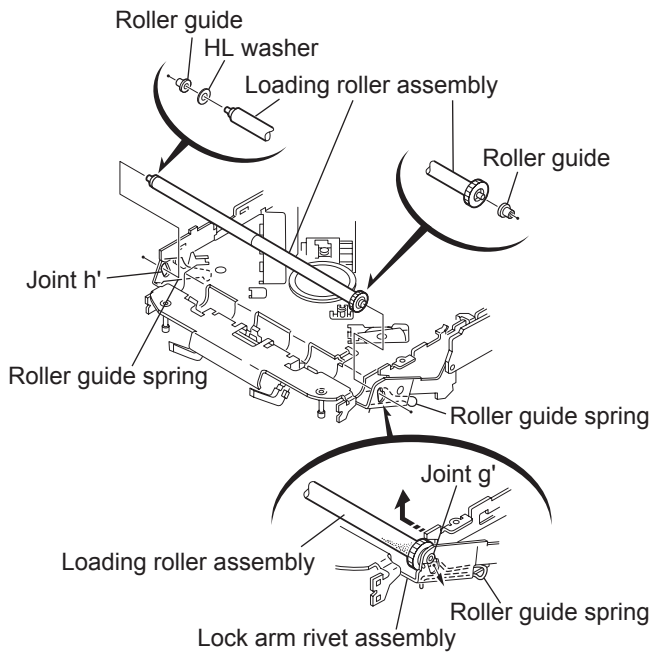


Fig.31

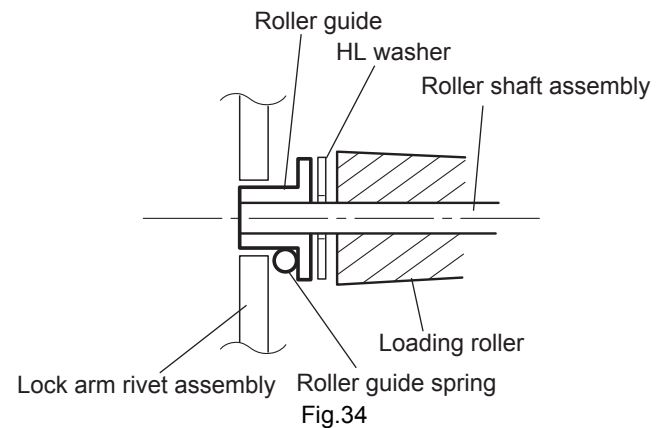


Fig.34

3.2.16 Removing the loading gear 5, 6 and 7
(See Figs.35 and 36)

- Prior to performing the following procedure, remove the top cover, chassis unit, pickup unit and top plate assembly.
 - (1) Remove the screw **K** attaching the loading gear bracket.
The loading gear 6 and 7 come off the loading gear bracket.
 - (2) Pull out the loading gear 5.

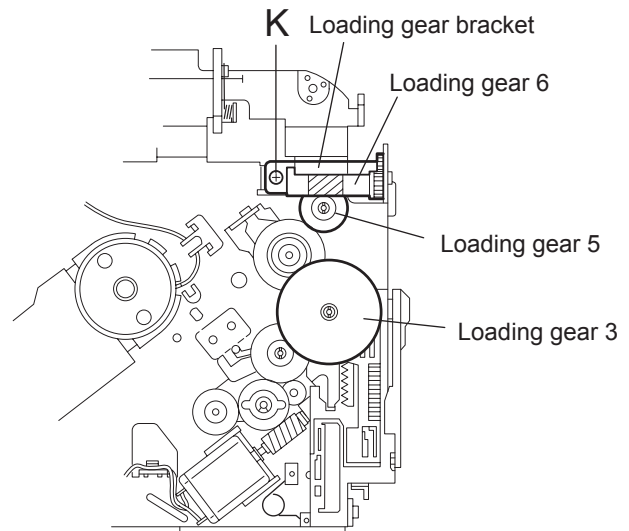


Fig.35

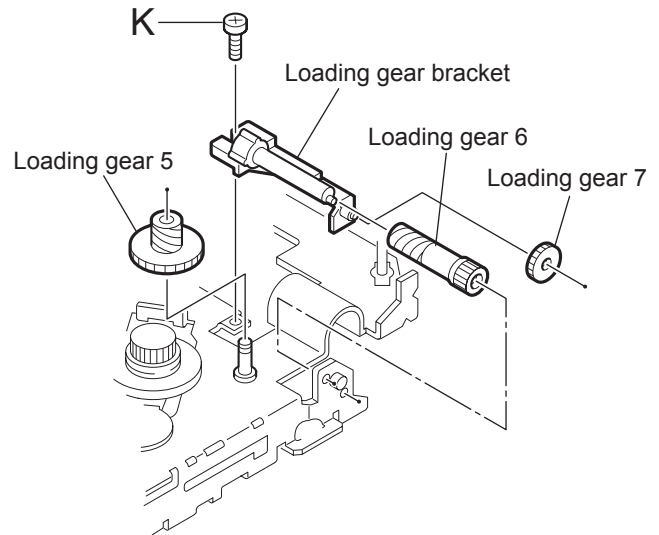
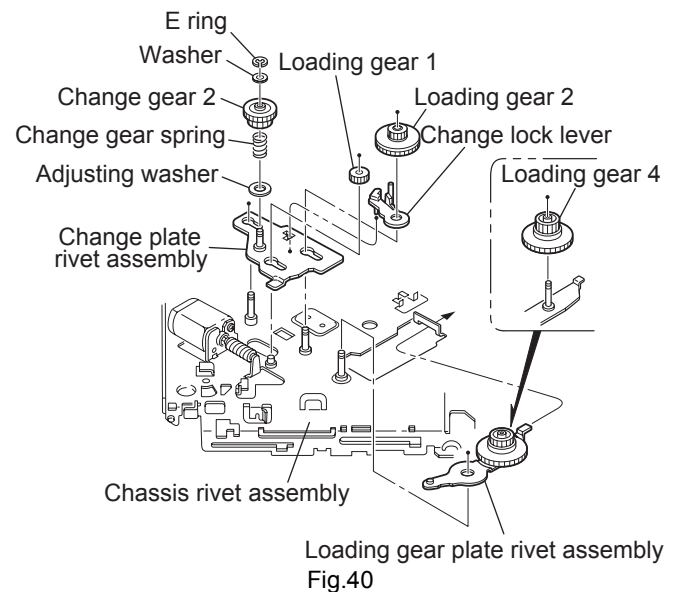
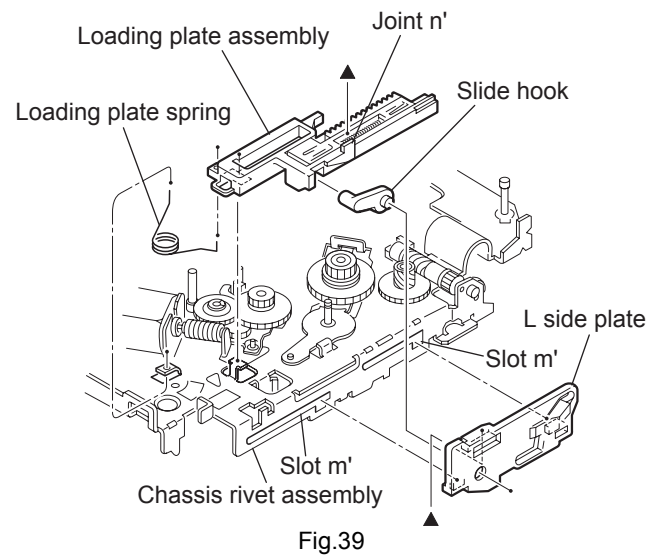
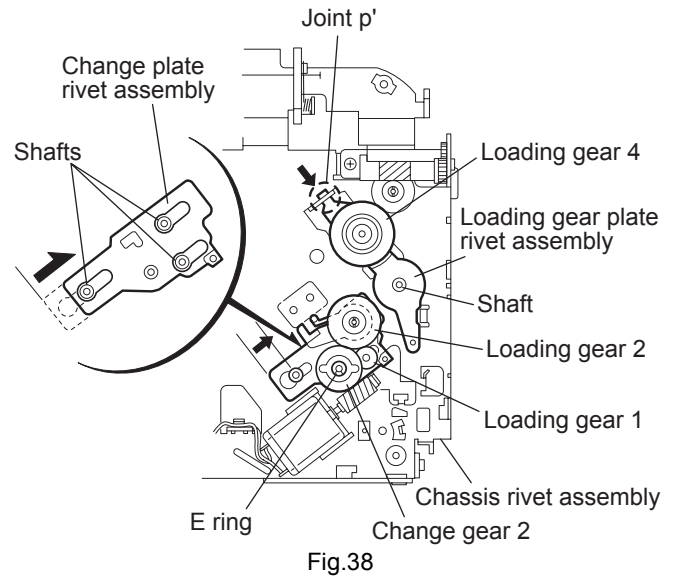
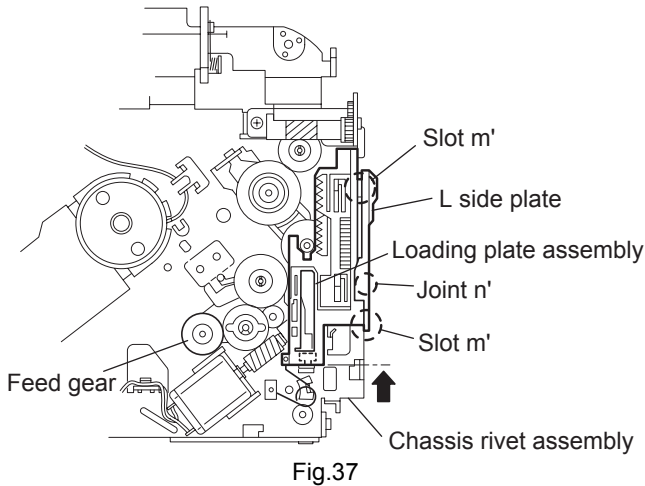


Fig.36

3.2.17 Removing the gears (See Figs.37 to 40)

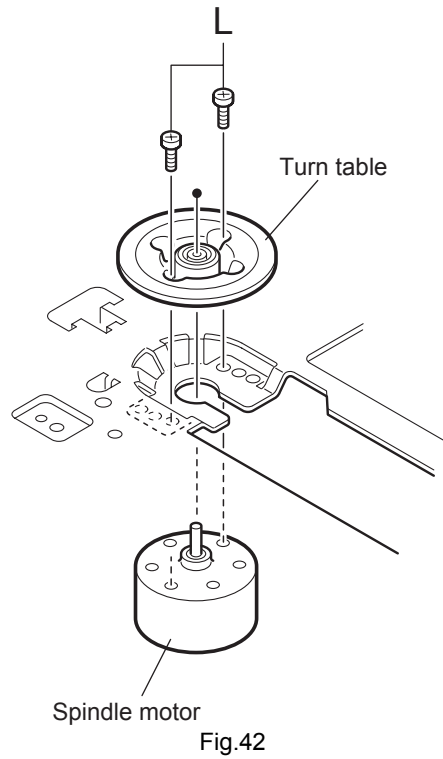
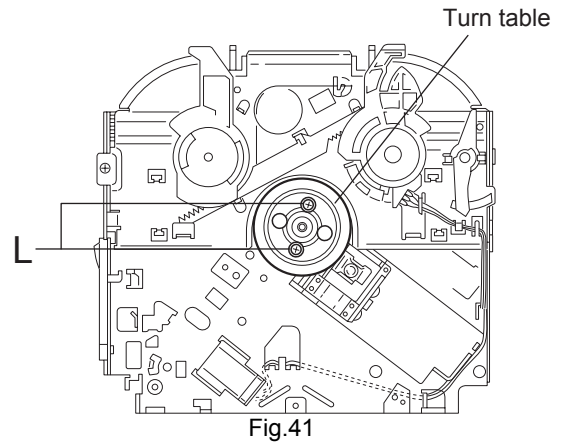
- Prior to performing the following procedure, remove the top cover, chassis unit, top plate assembly and pickup unit.
- Pull out the loading gear 3. (See Fig.35.)

- (1) Pull out the feed gear.
- (2) Move the loading plate assembly in the direction of the arrow to release the L side plate from the two slots m' of the chassis rivet assembly. (See Fig.37.)
- (3) Detach the loading plate assembly upward from the chassis rivet assembly while releasing the joint n'. Remove the slide hook and loading plate spring from the loading plate assembly.
- (4) Pull out the loading gear 2 and remove the change lock lever.
- (5) Remove the E ring and washer attaching the changer gear 2.
- (6) The changer gear 2, change gear spring and adjusting washer come off.
- (7) Remove the loading gear 1.
- (8) Move the change plate rivet assembly in the direction of the arrow to release from the three shafts of the chassis rivet assembly upward. (See Fig.38.)
- (9) Detach the loading gear plate rivet assembly from the shaft of the chassis rivet assembly upward while releasing the joint p'. (See Figs.38 and 40.)
- (10) Pull out the loading gear 4.



3.2.18 Removing the turn table / spindle motor
(See Figs.41 and 42)

- Prior to performing the following procedure, remove the top cover, connector board, chassis unit and clamper assembly.
 - (1) Remove the two screws **L** attaching the spindle motor assembly through the slot of the turn table on top of the body.
 - (2) Unsolder the wire on the connector board if necessary.



SECTION 4 ADJUSTMENT

4.1 Adjustment method

■ Test instruments required for adjustment

- (1) Digital oscilloscope (100MHz)
- (2) Electric voltmeter
- (3) Digital tester
- (4) Tracking offset meter
- (5) Test Disc JVC :CTS-1000
- (6) Extension cable for check
EXTSH002-22P × 1

■ Standard volume position

Balance and Bass & Treble volume : Indication "0"
Loudness : OFF

■ How to connect the extension cable for adjusting

Caution:

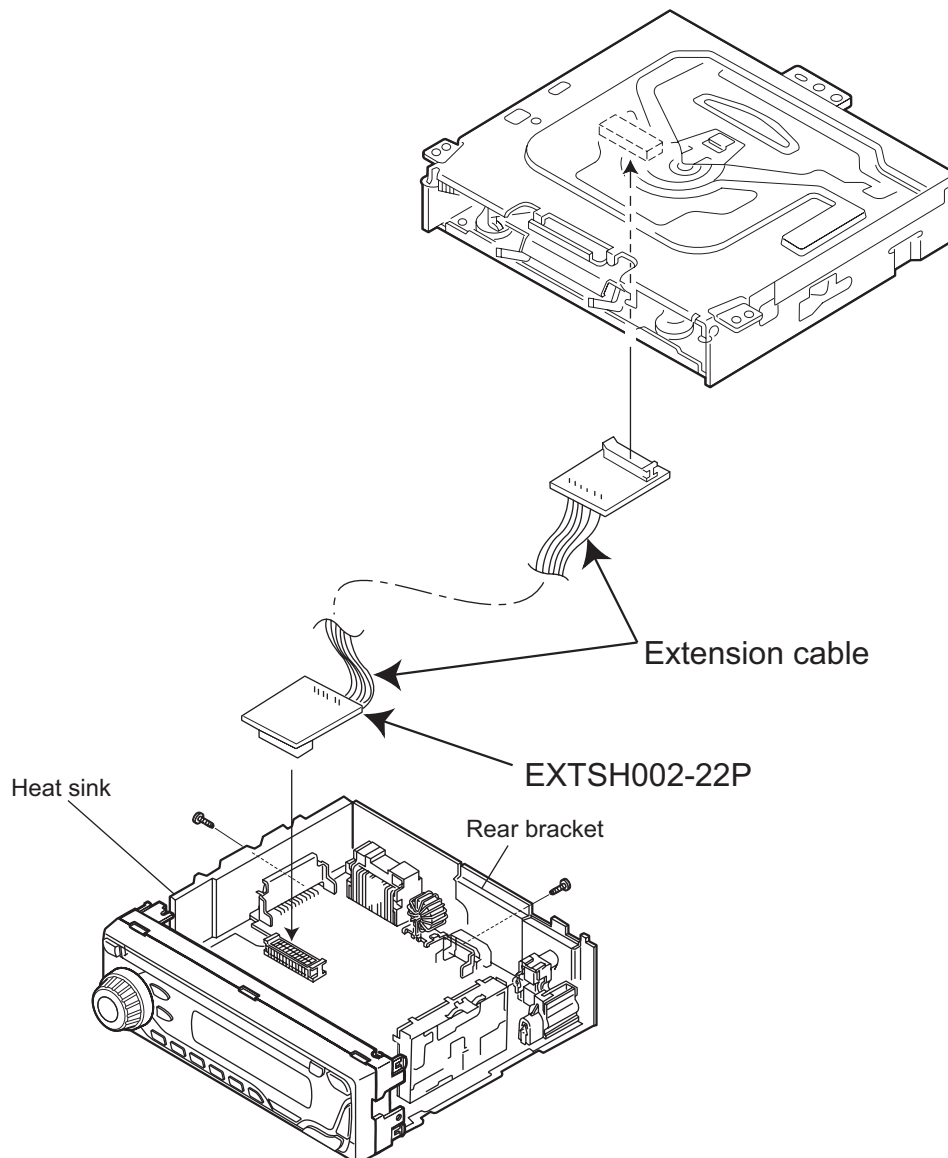
Be sure to attach the heat sink and rear bracket onto the power amplifier IC and regulator IC respectively, before supply the power. If voltage is applied without attaching these parts, the power amplifier IC and regulator IC will be destroyed by heat.

■ Standard measuring conditions

Power supply voltage	DC14.4V(11 to 16V)
Load impedance	20K Ω (2 Speakers connection)
Output Level	Line out 2.0V (Vol. MAX)

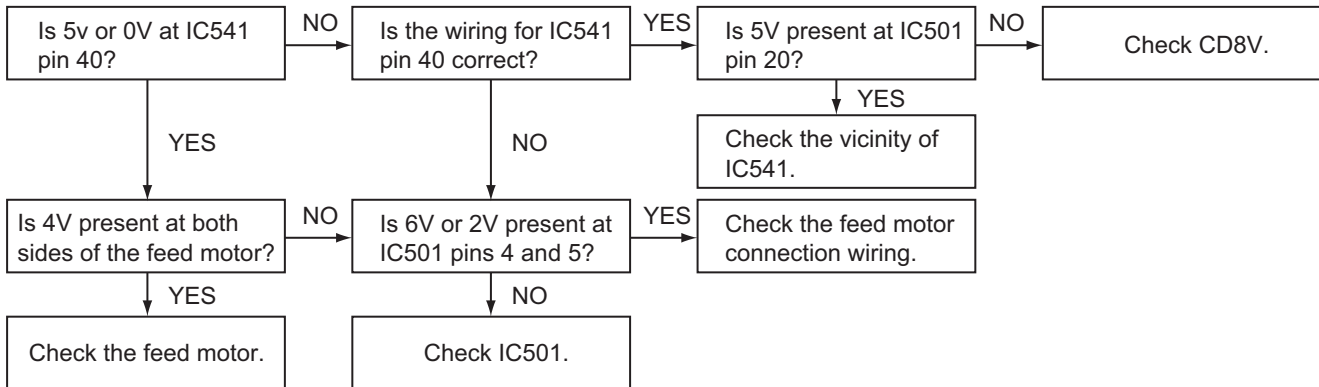
■ Dummy load

Exclusive dummy load should be used for AM, and FM. For FM dummy load, there is a loss of 6dB between SSG output and antenna input. The loss of 6dB need not be considered since direct reading of figures are applied in this working standard.

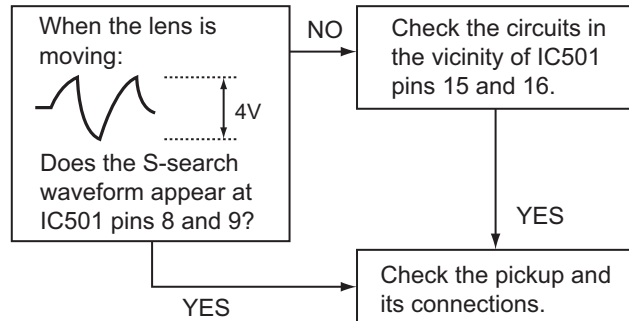


SECTION 5 TROUBLESHOOTING

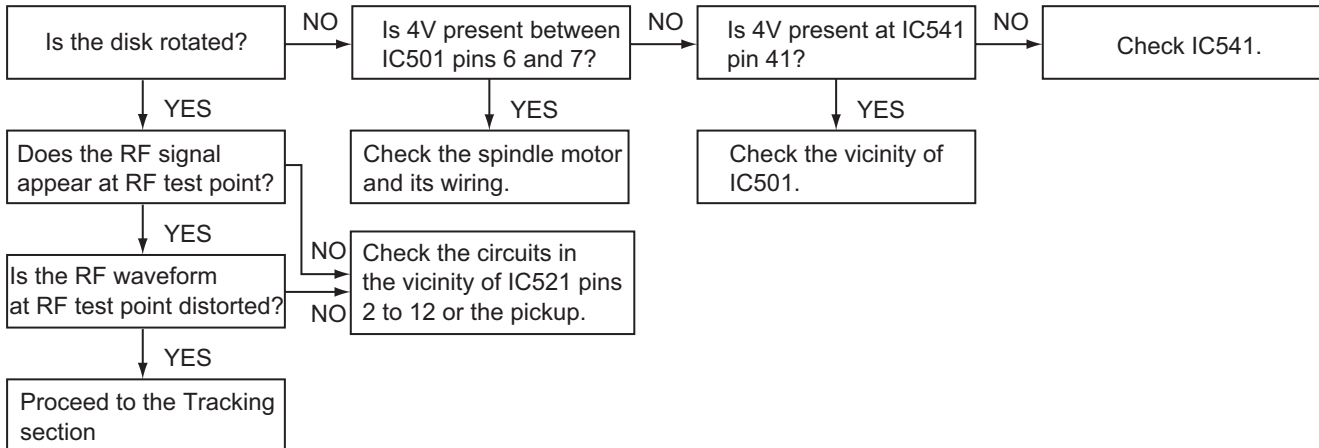
5.1 Feed section



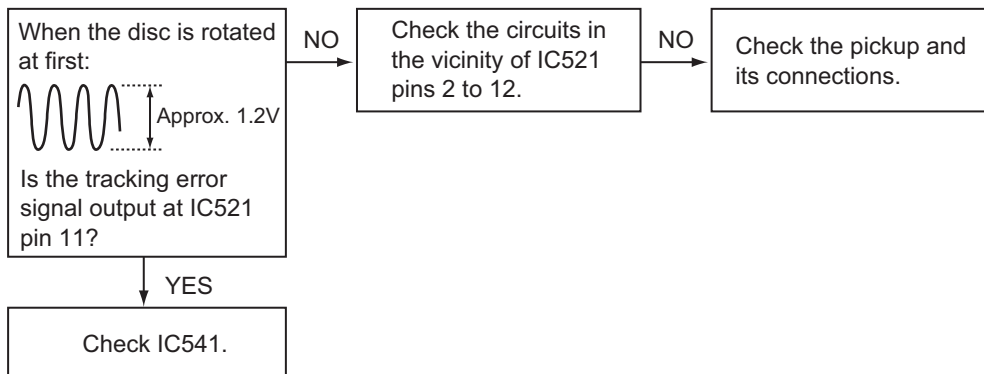
5.2 Focus section



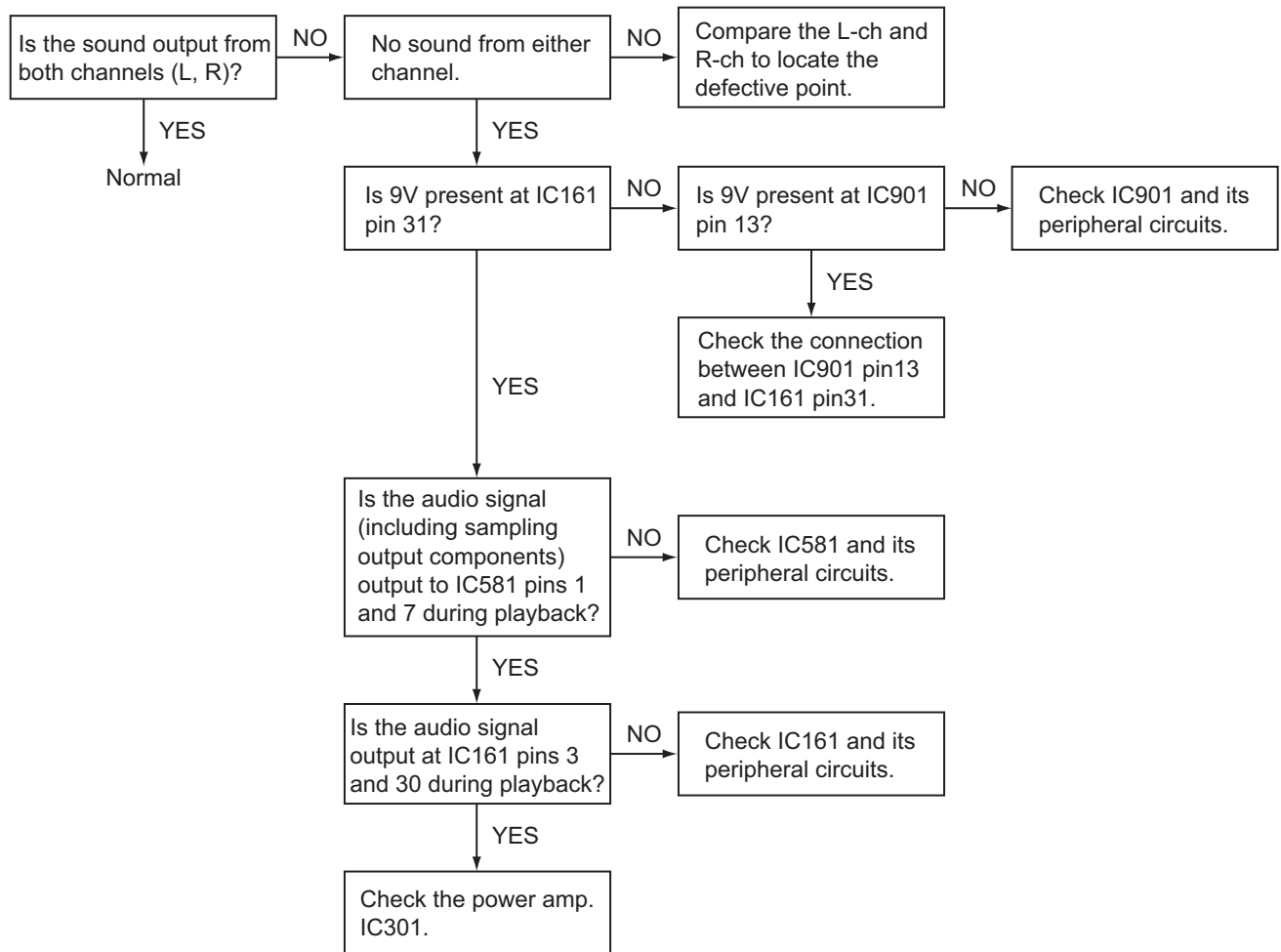
5.3 Spindle section



5.4 Tracking section



5.5 Signal processing section



5.6 Maintenance of laser pickup

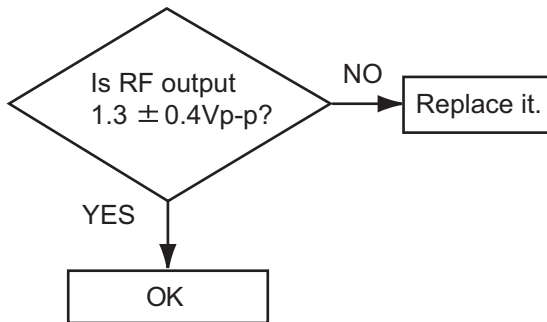
(1) Cleaning the pick up lens

Before you replace the pick up, please try to clean the lens with a alcohol soaked cotton swab.

(2) Life of the laser diode

When the life of the laser diode has expired, the following symptoms will appear.

- The level of RF output (EFM output: amplitude of eye pattern) will be low.

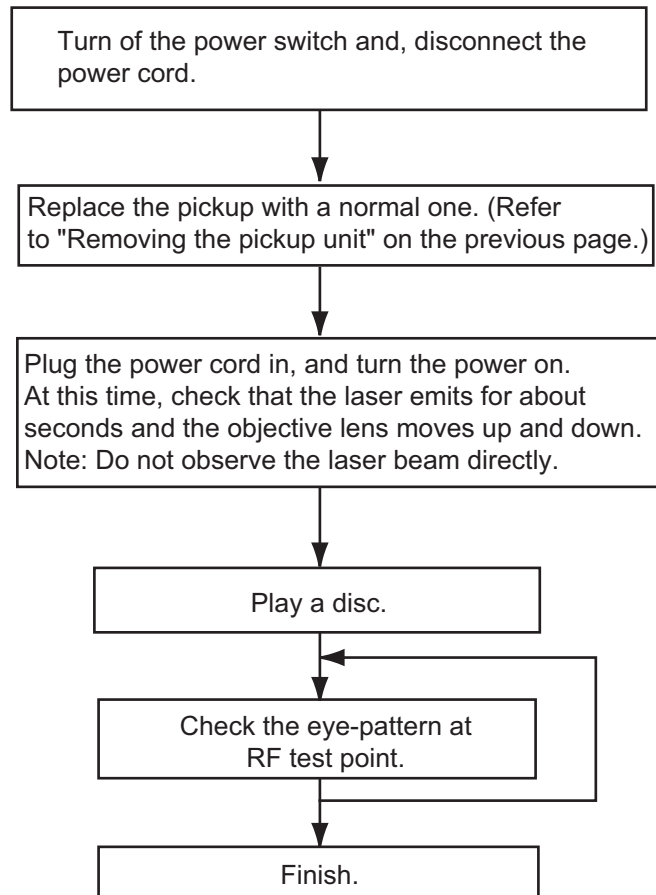


(3) Semi-fixed resistor on the APC PC board

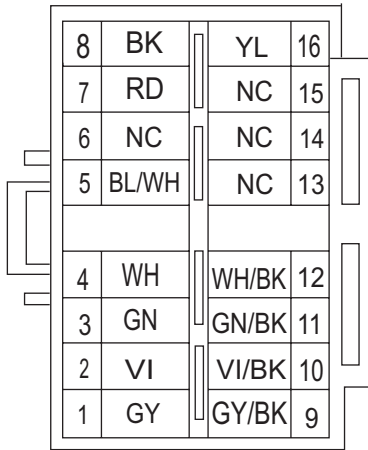
The semi-fixed resistor on the APC printed circuit board which is attached to the pickup is used to adjust the laser power. Since this adjustment should be performed to match the characteristics of the whole optical block, do not touch the semi-fixed resistor.

If the laser power is lower than the specified value, the laser diode is almost worn out, and the laser pickup should be replaced. If the semi-fixed resistor is adjusted while the pickup is functioning normally, the laser pickup may be damaged due to excessive current.

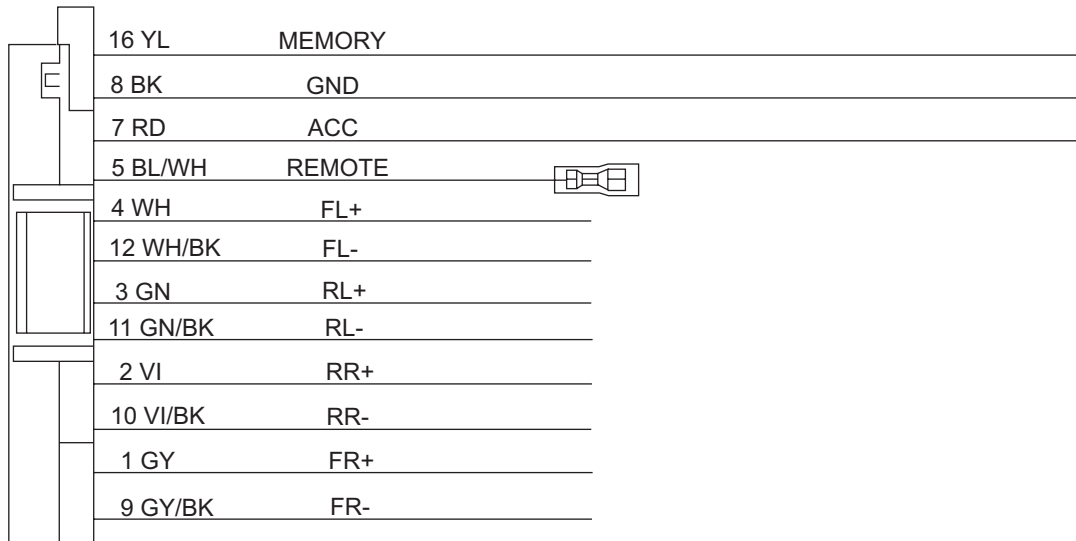
5.7 Replacement of laser pickup



5.8 16 PIN CORD DIAGRAM



BK	Black	GN	Green
RD	Red	VI	Violet
BL	Blue	GY	Gray
WH	White	YL	Yellow



RR	Rear Right	REMOTE	Remote out
FR	Front Right	ACC	ACC Line
FL	Front Left	MEMORY	Memory Backup Battery +
RL	Rear Left	GND	Ground



JVC

Victor Company of Japan, Limited
AV & MULTIMEDIA COMPANY CAR ELECTRONICS CATEGORY 10-1,1chome,Ohwatari-machi,Maebashi-city,371-8543,Japan

(No.MA143)

JVC



ENGLISH

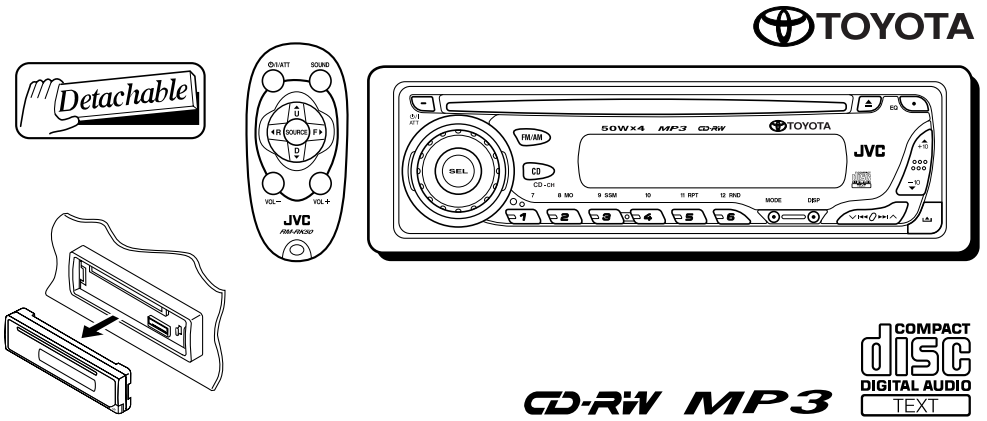
CD RECEIVER

KD-G456

เครื่องเล่น CD

KD-G456

ไทย



CD-RW MP3



For installation and connections, refer to the separate manual.

กรุณาดูคู่มือที่แยกต่างหาก ในการติดตั้งและการเชื่อมต่อ



INSTRUCTIONS

คำแนะนำ

GET0291-001A
[UH]

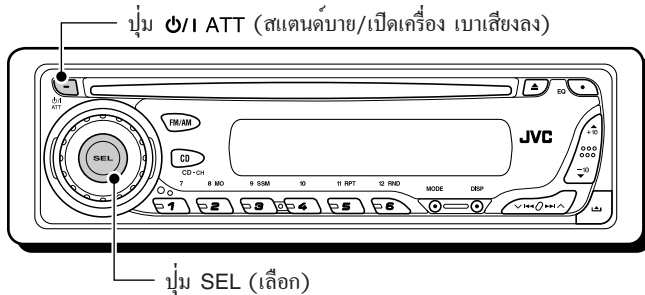
ข้อมูลที่สำคัญเกี่ยวกับเครื่องระบบเลเซอร์

1. ผลึกกัมมันต์เครื่องระบบเลเซอร์ ชั้น 1
2. **ข้อควรระวัง:** ห้ามเปิดฝาเครื่องด้านบน ภายในเครื่องส่วนนี้ ไม่มีส่วนประกอบใดๆ ที่จำเป็นต้องเปิดเพื่อตรวจเช็คหรือซ่อม ควรให้ช่างผู้เชี่ยวชาญ เป็นผู้รับผิดชอบในการซ่อมเครื่อง
3. **ข้อควรระวัง:** หากเปิดเครื่อง หรือเมื่อตัวล็อคเครื่องเสียหรือชำรุด ท่านอาจสัมผัสเข้ากับแสงเลเซอร์ที่มองเห็นและไม่เห็นด้วยตาเปล่า ควรหลีกเลี่ยงมิให้สัมผัสโดยตรง กับแสงเลเซอร์
4. การทำฉลากขึ้นมาใหม่: ฉลากระบุข้อควรระวัง วางไว้ด้านบนนอกของตัวเครื่อง

CAUTION : Visible and invisible laser radiation when open and interlock failed or defeated. AVOID DIRECT EXPOSURE TO BEAM.	ADVARSEL : Synlig og usynlig laserstråling når maskinen er åben eller interlocken fejler. Undgå direkte eksponering til strålingen.	WARNING : Synlig och osynlig laserstråling när den öppnas och spårren är urkopplad. Beträkta strålen.	VARO : Avattassa ja suojalukitus ohittuna tai viallisena olet allina näkyvä ja näkymätön läite lasersäteilylle. Vältä säteien kohdistumista suoraan itsesi: (1)
---	--	--	--

วิธีการตั้งเครื่องใหม่

ขณะกดปุ่ม SEL (เลือก) ค้างไว้ ใ้หลอด ϕ /I ATT (สแตนด์บาย/เปิดเครื่อง เบาเสียงลง) นาน 2 วินาที คอมพิวเตอร์ที่อยู่ในเครื่องอีกครั้งหนึ่ง

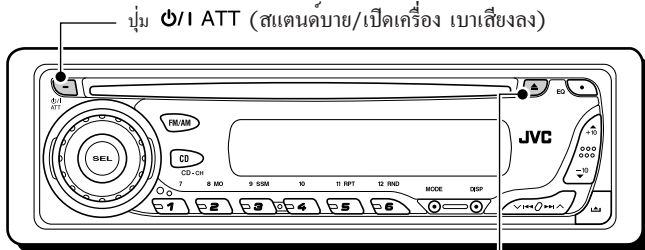


หมายเหตุ:

- ถ้าที่ทำนานเกินไปแล้วหันหน้า เช่นการตั้งสถานีหรือการปรับแต่งเสียงก็จะ ถูกลบออกไปด้วย
- ถ้ามีแผนชด้อย เครื่องจะคิดแผนชด้อยออกมา เมื่อคุณตั้งเครื่องใหม่ ระวังอย่าทำแผนชด้อย

วิธีบังคับตัดแผ่นดิสก์ออกจากเครื่อง

ขณะกดปุ่ม ϕ /I ATT (สแตนด์บาย/เปิดเครื่อง เบาเสียงลง) ค้างไว้ ใ้หลอด Δ (ตัดเทปออกจากเครื่อง) นานเกิน 2 วินาที จนกว่าแผ่นดิสก์จะตัดออกจากช่องใส่ หากเครื่องไม่รู้จักแผ่นดิสก์ หรือไม่สามารถตัดแผ่นออกจากเครื่องได้



หมายเหตุ:

- หากใช้งานไม่ได้ผล ขอให้ลองตั้งเครื่องใหม่
- ระวังอย่าทำแผนชด้อย เมื่อตัดออกจากเครื่อง

ขอขอบพระคุณที่เลือกซื้อผลิตภัณฑ์ของ JVC กรุณาอ่านคำแนะนำทั้งหมดโดยละเอียดก่อนการใช้งาน เพื่อให้เข้าใจชัดเจน และเพื่อให้ได้รับประสิทธิภาพสูงสุดในการใช้งานผลิตภัณฑ์

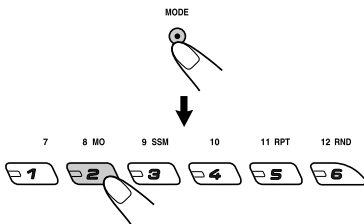
สารบัญ

วิธีการตั้งเครื่องใหม่	2	การทำงานของ MP3	16
วิธีบังคับตัดแผ่นดีสก์ออกจากเครื่อง	2	การเล่นดีสก์ MP3	16
วิธีใช้ปุ่ม MODE	3	การค้นหาไฟล์หรือตำแหน่งที่ต้องการ บนดีสก์ MP3	17
ตำแหน่งของปุ่มต่างๆ	4	การเลือกโหมดการเล่น MP3	19
แผงควบคุม	4	การปรับแต่งเสียง	20
รีโมท คอนโทรล	5	การเลือกโหมดตั้งโปรแกรมเสียง (C-EQ: รูปแบบอีควอไลเซอร์ที่เลือกเอง)	20
เตรียมการใช้รีโมท คอนโทรล	6	การปรับแต่งเสียง	21
การใช้งานเบื้องต้น	7	การทำงานที่สำคัญอย่างอื่น	22
การเปิดเครื่อง	7	การเปลี่ยนค่าทั่วไป (PSM)	22
การตั้งเวลา	8	การถอดแผงควบคุม	24
การใช้งานวิทยุ	9	การใช้งานตัวเปลี่ยนซีดี	25
การฟังวิทยุ	9	การเล่นแผ่นดีสก์	25
การบันทึกสถานีลงในหน่วยความจำ	10	การเลือกโหมดเล่นซีดี	28
การรับคลื่นสถานีที่ตั้งไว้ล่วงหน้า	11	การใช้งานอุปกรณ์ภายนอก	29
การใช้งานเครื่องเล่นซีดี	12	ใช้อุปกรณ์อื่นกับเครื่อง	29
การเล่นซีดี	12	ข้อมูลเพิ่มเติม	30
การค้นหาเพลงหรือตำแหน่งที่ต้องการบนแผ่นซีดี	13	การเล่นแผ่น CD-R หรือ CD-RW	30
การเลือกโหมดการเล่นซีดี	14	การเล่นแผ่น MP3	30
การเล่น CD Text	15	การแก้ปัญหาเบื้องต้น	31
การหามตัดแผ่นดีสก์ออกจากเครื่อง	15	การดูแลรักษา	34
		ข้อมูลจำเพาะ	35

ไทย

วิธีใช้ปุ่ม MODE

ถ้ากดปุ่ม MODE เครื่องจะไปโหมดฟังก์ชัน ในขณะที่ปุ่มตัวเลขและปุ่ม ▲/▼ จะทำหน้าที่เป็นปุ่มเลือกฟังก์ชัน ตัวอย่าง: ปุ่มหมายเลข 2 ทำหน้าที่เป็นปุ่ม MO (เสียงเดี่ยวธรรมดา)



ไฟสัญญาณการนับถอยหลัง

หากต้องการให้ปุ่มเหล่านี้กลับไปทำหน้าที่เดิมอีกครั้งหลังจากกดปุ่ม MODE ให้รอ 5 วินาทีโดยไม่ต้องกดปุ่มตัวเลขใดๆ จนกระทั่งโหมดการทำงานต่างๆ ถูกลบออกหมด

- หากกดปุ่มโหมดหรือ MODE อีกครั้ง ก็จะเป็นการยกเลิกโหมดการทำงานด้วยเหมือนกัน

ก่อนการใช้

* เพื่อความปลอดภัย...

- ไม่ควรเพิ่มระดับเสียงดังเกินไป เพราะจะทำให้ไม่ได้ยินเสียงจากภายนอก ซึ่งอาจเกิดอันตรายขณะขับรถได้
- ควรหยุดรถก่อนการใช้งานที่อยู่ข้างข้างซ้อน

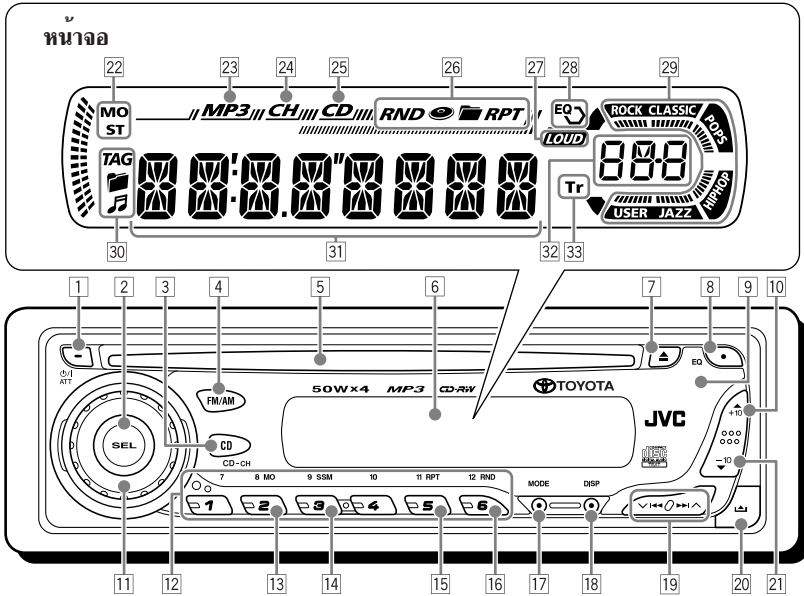
* อุณหภูมิภายในรถ...

หากจอดรถทิ้งไว้ในที่ที่มีอากาศร้อนหรือหนาวเป็นเวลานาน ควรรอจนกว่าอุณหภูมิภายในรถกลับสู่ระดับปกติก่อนเริ่มใช้งานเครื่อง



ตำแหน่งของปุ่มต่างๆ

แผงควบคุม



ไทย

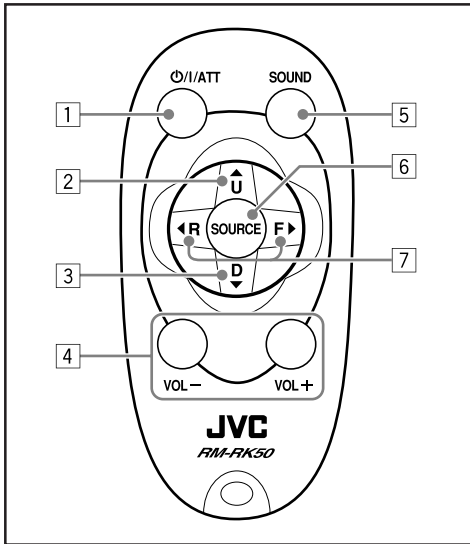
- 1 ปุ่ม ϕ /I ATT (สแตนด์บาย/เปิดเครื่อง เบาเสียงลง)
- 2 ปุ่ม SEL (เลือก)
- 3 ปุ่ม CD CD-CH (เครื่องเล่นซีดี)
- 4 ปุ่ม FM/AM
- 5 ช่องใส่แผ่น
- 6 หน้าจอ
- 7 ปุ่ม \blacktriangle (ติดเทปออกจากเครื่อง)
- 8 ปุ่ม EQ (อีควอไลเซอร์)
- 9 รีโมทเซ็นเซอร์
- 10 ปุ่ม \blacktriangle (ขึ้น)
ปุ่ม +10
- 11 แป้นควบคุม
- 12 ปุ่มตัวเลข
- 13 ปุ่ม MO (เสียงเดี่ยวยุทธมดา)
- 14 ปุ่ม SSM (จดจำสถานีเรียงตามลำดับความแรงของสัญญาณ)
- 15 ปุ่ม RPT (ซ้ำ)
- 16 ปุ่ม RND (สุ่ม)
- 17 ปุ่ม MODE
- 18 ปุ่ม DISP (ภาพหน้าจอ)
- 19 ปุ่ม \blacktriangledown \ll \gg \blacktriangle
- 20 ปุ่ม \blacktriangle (ไขถอดแผงควบคุมออก)
- 21 ปุ่ม \blacktriangledown (ลง)
ปุ่ม -10

หน้าจอ

- 22 ไฟสัญญาณการรับคลื่นเสียง
MO (เสียงเดี่ยวยุทธมดา), ST (เสียงสเตอริโอ)
- 23 ไฟ MP3
- 24 ไฟ CH (เครื่องเล่นซีดี)
• ไฟจะติดเมื่อคอกับซีดีเซมเจอร์
- 25 ไฟ CD
- 26 ไฟแสดงรายการเล่น/โหมด
RND (สุ่ม) \odot (แผ่น) \square (โฟลเดอร์)
RPT (ซ้ำ)
- 27 ไฟ LOUD (ตั้งค่าเสียงดัง-เบา)
- 28 ไฟ EQ (อีควอไลเซอร์)
- 29 โหมดเสียง (C-EQ:
รูปแบบอีควอไลเซอร์ที่เลือกเอง)
ROCK, CLASSIC, POPS, HIP HOP, JAZZ, USER
• ||||| ยังทำหน้าที่แสดงเวลานับถอยหลังด้วย
- 30 สัญญาณแสดงขอมูลติด
TAG (ID3 Tag), \square (โฟลเดอร์), ♪ (แทร็ก/ไฟล์)
- 31 จอภาพหลัก
- 32 แสดงชอรัส
ไฟแสดงระดับเสียง
- 33 ไฟ Tr (แทร็ก)



รีโมท คอนโทรล



1. ใช้กดเพื่อเปิดเครื่อง ขณะที่เครื่องปิดทำงาน
 - ใช้กดเพื่อปิดเครื่อง โดยกดค้างไว้จนกระทั่งคำ "SEE YOU" ปรากฏบนหน้าจอ
 - ใช้กดเพื่อลดระดับความดังของเสียงชั่วคราว โดยกดแล้วปล่อย กดอีกครั้งระดับความดังของเสียงก็จะกลับเหมือนเดิม
2. ใช้เลือกช่วงความถี่ของคลื่นวิทยุ ขณะฟังวิทยุ ทุกครั้งที่กดปุ่มนี้ ช่วงความถี่ของคลื่นวิทยุจะเปลี่ยนไปเรื่อยๆ
 - ข้ามกลับไปไปที่ไฟล์แรกของโพลเดอร์ถัดไปขณะกำลังฟังดิสก์ MP3 เมื่อกดปุ่มแต่ละครั้ง ระบบจะย้ายไปยังโพลเดอร์ถัดไปและเริ่มเล่นไฟล์แรกของโพลเดอร์นั้น
 - ขณะเล่นแผ่น MP3 ในตัวเปลี่ยนซีดีซึ่งใช้งานได้กับแผ่น MP3;
 - ใช้ข้ามไปยังดิสก์แผ่นถัดไปเมื่อกดแล้วปล่อย
 - ใช้ข้ามไปยังโพลเดอร์ถัดไปเมื่อกดค้างไว้

หมายเหตุ: ขณะเล่นแผ่นซีดีในตัวเปลี่ยนซีดี เครื่องจะเล่นข้ามไปยังแผ่นถัดไปเสมอ

3. ใช้เลือกสถานีวิทยุที่ได้ตั้งโปรแกรมไว้แล้ว ขณะฟังวิทยุ ทุกครั้งที่กดปุ่มนี้ หมายเลขสถานีวิทยุจะเพิ่มขึ้นเรื่อยๆ และจะเริ่มเล่นรายการของสถานีที่เลือกไว้
 - ข้ามกลับไปไปที่ไฟล์แรกของโพลเดอร์ก่อนหน้าขณะกำลังฟังดิสก์ MP3 เมื่อกดปุ่มแต่ละครั้ง ระบบจะย้ายไปยังโพลเดอร์ก่อนหน้าและเริ่มเล่นไฟล์แรกของโพลเดอร์นั้น
 - ขณะเล่นแผ่น MP3 ในตัวเปลี่ยนซีดีซึ่งใช้งานได้กับแผ่น MP3;
 - ใช้ข้ามไปยังดิสก์แผ่นก่อนหน้าเมื่อกดแล้วปล่อย
 - ใช้ข้ามไปยังโพลเดอร์ก่อนหน้าเมื่อกดค้างไว้

หมายเหตุ: ขณะเล่นแผ่นซีดีในตัวเปลี่ยนซีดี เครื่องจะเล่นข้ามไปยังแผ่นก่อนหน้าเสมอ
4. ทำหน้าที่เช่นเดียวกับหน้าปัดควบคุมของชุดประกอบหลัก

หมายเหตุ: ปุ่มนี้จะไม่ทำงานสำหรับการปรับโหมดตั้ง รายการที่ต้องการ
5. ใช้เลือกโหมดเสียง (C-EQ: รูปแบบอีควอไลเซอร์ที่เลือกเอง) ทุกครั้งที่กดปุ่มนี้ โหมดเสียง (C-EQ) จะเปลี่ยนไปเรื่อยๆ
6. ใช้เลือกแหล่งให้เสียง ทุกครั้งที่กดปุ่มนี้ แหล่งให้เสียงจะเปลี่ยนไปเรื่อยๆ
7. ใช้ค้นหาสถานีวิทยุ ขณะฟังวิทยุ
 - ใช้เลื่อนหาเพลงหรือไฟล์ที่อยู่ข้างหน้าหรือข้างหลังอย่างรวดเร็ว โดยกดค้างไว้ขณะฟังแผ่นดิสก์
 - ใช้ข้ามไปยังต้นเพลงหรือไฟล์ถัดไป หรือออกกลับไปไปยังต้นเพลงของเพลงเดิม (หรือที่เพิ่งผ่านมา) โดยกดปุ่มนี้เพียงสั้นๆ ขณะฟังแผ่นดิสก์

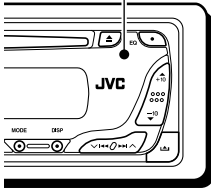


เตรียมการไปรีโมท คอนโทรล

ก่อนใช้รีโมทคอนโทรล:

- ยื่นรีโมทคอนโทรลไปยังรีโมทเซ็นเซอร์ที่เครื่อง
อย่าให้มีวัตถุวางระหว่างกลาง

รีโมทเซ็นเซอร์



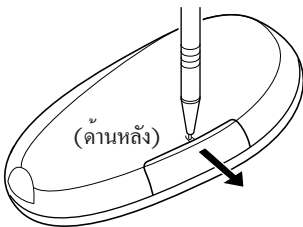
- อย่าให้รีโมทเซ็นเซอร์ของเครื่องโดนแสงจ้า
(แสงแดดโดยตรง หรือแสงจากหลอดไฟ)

ใส่ถ่าน

เมื่อรีโมทคอนโทรลเริ่มควบคุมได้น้อยลงหรือค้อยประสิทธิภาพ ให้เปลี่ยนถ่านใหม่

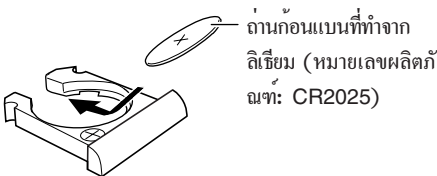
1. ดึงส่วนที่ใส่ถ่านออกมา

- 1) ไขปลายปากกาถูกลิ้นหรือของที่มีลักษณะที่คล้ายกัน
คนส่วนที่ใส่ถ่านออกมาตามทิศทางของลูกศรที่แสดง
ในรูป
- 2) ดึงส่วนที่ใส่ถ่านออกมา



2. ใส่ถ่าน

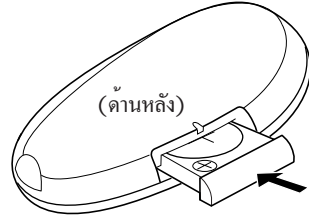
เลื่อนถ่านเข้าในที่ใส่ หันด้าน + ขึ้นเพื่อให้ถ่านติดสนิทกับที่ใส่



ถ่านก้อนแบนที่ทำจาก
ลิเทียม (หมายเลขผลิตภัณฑ์:
CR2025)

3. เลื่อนส่วนที่ใส่ถ่านกลับเข้าที่เดิม

เลื่อนส่วนที่ใส่ถ่านกลับเข้าที่เดิมด้วยการดันเข้าไปจนได้ยินเสียงล็อก

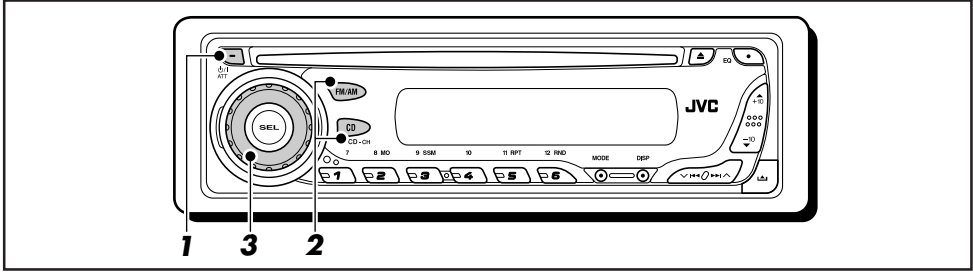


คำเตือน:

- ควรเก็บถ่านไว้ในที่ที่เด็กเอื้อมไม่ถึง
หากเด็กกลืนถ่านเข้าไปโดยบังเอิญ ให้รีบนำเด็กส่งแพทย์ทันที
- ไม่ควรชาร์จ ตัด ถอดชิ้นส่วนหรือเอาไฟถ่านถ่าน
หรือโยนถ่านเข้ากองไฟ
การกระทำเช่นนี้อาจทำให้ถ่านร้อน แดกระเบิด หรือติดไฟได้
- ไม่ควรวางถ่านไว้กับวัสดุที่นำจากโลหะ
การกระทำเช่นนี้อาจทำให้ถ่านร้อน แดกระเบิด หรือติดไฟได้
- เมื่อต้องการทิ้งหรือเก็บถ่าน ให้ไขเทปหรือสิ่งที่เป็นฉนวน
ห่อหุ้มถ่านเสียก่อน มิฉะนั้น อาจทำให้ถ่านร้อน แดกระเบิด
หรือติดไฟขึ้นได้
- ไม่ควรใช้เข็มหรือวัตถุใดๆ ที่มีลักษณะคล้ายกันแหย่เข้าไปในถ่าน
การกระทำเช่นนี้อาจทำให้ถ่านร้อน แดกระเบิด หรือติดไฟได้

ข้อควรระวัง:

อย่าวางรีโมทคอนโทรลไว้ในที่ที่มีแสงแดดส่องถึงโดยตรง เป็นระยะ
เวลานาน (เช่นแผงหน้ารถ) มิฉะนั้น รีโมทคอนโทรลอาจชำรุดหรือ
เสียหายได้



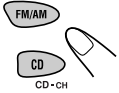
การเปิดเครื่อง

1 เปิดเครื่อง



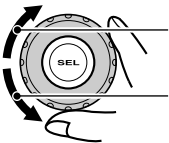
หมายเหตุการใช้งานโดยกลุ่มเดียว:
เมื่อเลือกใช้งานเครื่องรีวิทยุในขั้นตอนที่ 2 ตามข้างล่างนี้ เครื่องก็จะเปิดเองโดยอัตโนมัติ โดยไม่ต้องกดปุ่มนี้เพื่อเปิดเครื่อง

2 เลือกใช้งาน



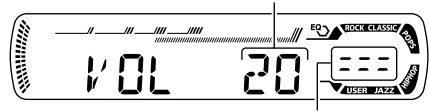
- การค้นหากลืนวิทยุ (FM หรือ AM)
กรุณาดูหน้า 9 – 11
- การใช้งานเครื่องเล่นซีดี
กรุณาดูหน้า 12 – 15
- การเล่นแผ่น MP3
กรุณาดูหน้า 16 – 19
- รเปลี่ยนซีดี
กรุณาดูหน้า 25 – 28
- การใช้งานอุปกรณ์ภายนอก (LINE IN)
กรุณาดูหน้า 29

3 ปรับความดังของเสียง



- เพิ่มความดังของเสียง
- ลดความดังของเสียง

ระดับความดังของเสียงจะปรากฏขึ้น



ไฟแสดงระดับเสียง

4 ปรับแต่งเสียงตามต้องการ (กรุณาดูหน้า 20 – 21)

การลดความดังของเสียงในทันที

กดปุ่ม **ON/ATT** ใดๆ ขณะฟังวิทยุช่องใดก็ได้ เครื่องหมาย “ATT” จะกระพริบขึ้นที่หน้าจอ แล้วระดับเสียงจะลดลงในทันที หากจะทำให้เสียงดังเท่าเดิม ให้กดปุ่มเดิมสั้นๆ อีกครั้ง

- หากต้องการระดับเสียงกลับคืนสู่สภาพเดิม ให้หมุนเป็นควบลูกศร

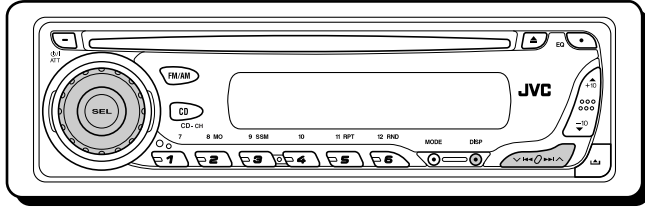
วิธีปิดเครื่อง

กดปุ่ม **ON/ATT** ค้างไว้นานกว่า 1 วินาที “SEE YOU” จะปรากฏขึ้น จากนั้นเครื่องก็จะปิด

- หากปิดเครื่องขณะกำลังฟังแผ่นดีสก์แล้วต่อมาเปิดเครื่องใหม่ เครื่องจะเริ่มเล่นเพลงต่อจากครั้งก่อนที่หยุดเล่นไป

ข้อควรระวังในการปรับความดังเสียง:

เวลาเล่นดีสก์ ปกติจะเกิดเสียงแทรกจนมากเมื่อเปรียบเทียบกับการเล่นอย่างอื่น ยกตัวอย่าง ขณะฟังวิทยุแล้วปรับความดังเสียงเพิ่มขึ้น จากนั้นเปลี่ยนมาเล่นดีสก์ ความดังของเสียงจะเพิ่มขึ้นอย่างรวดเร็ว ซึ่งอาจมีผลทำให้ลำโพงเสียได้ ดังนั้น จึงควรลดความดังของเสียง ก่อนที่จะเปลี่ยนมาเล่นดีสก์ จากนั้นจึงค่อยๆ ปรับความดังเสียงตามที่ต้องการขณะฟังเล่นดีสก์



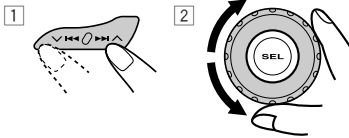
การตั้งเวลา

1 กดปุ่ม SEL (เลือก) ค้างไว้เกินกว่า 2 วินาทีเพื่อให้รายการใดรายการหนึ่งของ PSM ปรากฏบนหน้าปัด (PSM: โปรดดูหน้า 22)



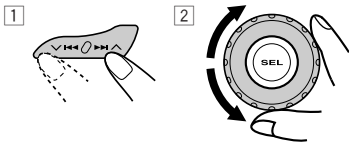
2 ตั้งชั่วโมง

- เลือก "CLOCK H" (ชั่วโมง)
หากไม่ได้แสดงอยู่บนหน้าจอ
- ตั้งชั่วโมง



3 ตั้งนาที

- เลือก "CLOCK M" (นาที)
- ตั้งนาที



4 เสร็จสิ้นการตั้งค่า



หากต้องการตรวจสอบเวลาปัจจุบันหรือเปลี่ยนโหมดหน้าจอ

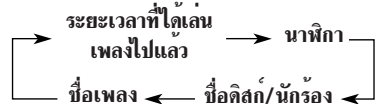


กดปุ่ม DISP (ภาพหน้าจอ) ซ้ำหลายๆครั้ง และทุกครั้งที่ท่านกดปุ่มนี้ โหมดแสดงจะเปลี่ยนไปตามข้างล่างนี้:

- ระหว่างการใช้งาน เครื่องรับวิทยุ:

ความถี่ ↔ นาฬิกา

- ระหว่างการเล่นดีส์ก์:



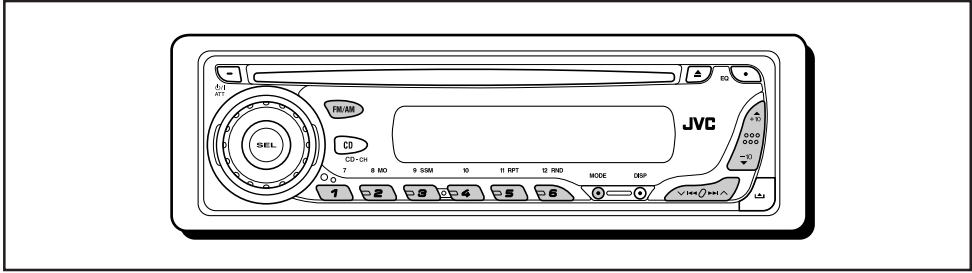
หมายเหตุ:

- ในขณะที่เล่นซีดีเพลงแบบเก่า จะมีข้อความ "NO NAME" ปรากฏขึ้นมาแทนชื่อดีส์ก์/ศิลปินและชื่อเพลง
- สำหรับการเปลี่ยนโหมดแสดงข้อความใน การเล่น CD Text หรือดีส์ก์ MP3 โปรดดูหน้า 15 และ 17 เพิ่มเติม
- ระหว่างเล่นอุปกรณ์ภายนอก:

LINE IN ↔ นาฬิกา

- ขณะปิดเครื่อง:

เครื่องจะเปิด เวลาของนาฬิกาก็จะปรากฏขึ้นประมาณ 5 วินาทีแล้วเครื่องก็จะปิด



วิทยุ

การฟังวิทยุ

คุณสามารถค้นหาช่องสถานีวิทยุได้ด้วยตัวเองหรือด้วยระบบอัตโนมัติ

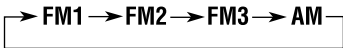
การค้นหาช่องสถานีด้วยระบบค้นหา

อัตโนมัติหรือ: หรือออโตเซิร์ช

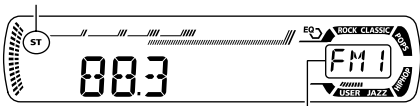
1 เลือกระบบคลื่น (FM1 – 3, AM)



ทุกครั้งที่คุณปุ่มนี้ ระบบคลื่นวิทยุจะเปลี่ยนไปดังนี้:



จะสว่างขึ้นเมื่อได้รับสัญญาณกระจายเสียงแบบ FM สเตอริโอที่มีสัญญาณแรงพอ

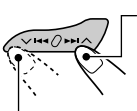


แบนด์ที่ท่านเลือกจะปรากฏขึ้น

หมายเหตุ:

เครื่องรับคลื่นวิทยุนี้มีระบบคลื่น FM อยู่ 3 แบบ (FM1, FM2 และ FM3) สามารถใช้ฟังการกระจายเสียงของระบบ FM ของใดก็ได้

2 เริ่มค้นหาสถานี



เพื่อค้นหาสถานีที่มีความถี่ที่สูงขึ้น

เพื่อค้นหาสถานีที่มีความถี่ที่ต่ำลง

เมื่อรับคลื่นสถานีได้แล้ว การค้นหาจะหยุด

หากต้องการหยุดการค้นหาจะได้รับคลื่นสถานีใหม่กดปุ่มเดิมที่ท่านใช้ในการค้นหา

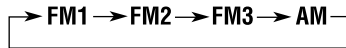
การค้นหาช่องสถานีด้วยตัวเองหรือ:

แมนนวลเซิร์ช

1 เลือกระบบคลื่น (FM1 – 3, AM)



ทุกครั้งที่คุณปุ่มนี้ ระบบคลื่นวิทยุจะเปลี่ยนไปดังนี้:

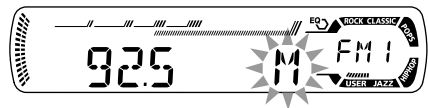
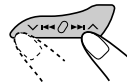


หมายเหตุ:

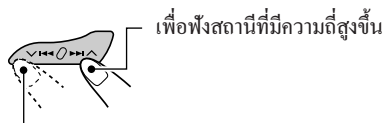
เครื่องรับคลื่นวิทยุนี้มีระบบคลื่น FM อยู่ 3 แบบ (FM1, FM2 และ FM3) สามารถใช้ฟังการกระจายเสียงของระบบ FM ของใดก็ได้

2 กดปุ่ม >>> ^ หรือ <<< v

ค้างไว้นานกว่า “M” (ควบคุมเอง) จะเริ่มกะพริบ บนหน้าจอ



3 ขณะที่ “M” (ควบคุมเอง) กำลังกะพริบอยู่ ให้ปรับคลื่นวิทยุให้ตรงกับช่องสถานีที่ต้องการ



เพื่อฟังสถานีที่มีความถี่ต่ำลง

- หากปล่อยนิ้วจากปุ่มที่กด โหมดการหาคคลื่นด้วยตัวเองจะหยุดทำงานโดยอัตโนมัติ หลังจากผ่านไป 5 วินาที
- หากกดปุ่มค้างไว้ ความถี่จะเปลี่ยนไปเรื่อยๆ (ช่วงห่างคือครั้งละ 50 kHz ในกรณีที่เป็น FM และครั้งละ 9 kHz สำหรับคลื่น AM) จนกว่าจะปล่อยมือ

เมื่อการกระจายเสียงสเตอริโอ FM รับฟังได้ยาก:



1 กดปุ่ม MODE การเพื่อเข้าสู่โหมดการทำงานขณะ ฟังการกระจายเสียงระบบ FM สเตอริโอ ไร้สัญญาณ



2 กดปุ่ม MO (เสียงเดี่ยวธรรมดา) ขณะถ้าว่า “MODE” ยังกะพริบอยู่บนหน้าจอจนคำว่า “MONO” ปรากฏขึ้นบนหน้าจอ ทุกครั้งที่กดปุ่มนี้จะเป็นการเปิดหรือปิดโหมดเสียงโมโนสลับไปมา

ไฟ MO (เสียงเดี่ยวธรรมดา)



ขณะไฟแสดงสถานะ MO ปรากฏขึ้นบนหน้าจอ เสียงที่ได้นั้นจะเป็นระบบเสียงเดี่ยว แต่การรับคลื่นวิทยุจะดีขึ้น

การบันทึกสถานีลงในหน่วยความจำ

ท่านสามารถใช้วิธีนี้ได้ 2 วิธีนี้ เพื่อบันทึกสถานีวิทยุไว้ในหน่วยความจำ

- ตั้งสถานี FM ล่วงหน้าโดยอัตโนมัติ: SSM (Strong-station Sequential Memory จดจำสถานีนี้เรียงตามลำดับความแรงของสัญญาณ)
- การตั้งสถานีล่วงหน้าด้วยตัวเองทั้งสถานีระบบ FM และระบบ AM

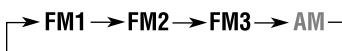
การตั้งสถานี FM ล่วงหน้าอัตโนมัติ: SSM

คุณสามารถตั้งสถานี FM ในท้องที่ล่วงหน้าได้ 6 สถานีในแต่ละระบบคลื่น FM แต่ละแบบ (FM1, FM2 และ FM3)

1 เลือกระบบคลื่นวิทยุ (FM1 – 3) ที่ต้องการจะบันทึกของสถานี FM เข้าไป



ทุกครั้งที่กดปุ่มนี้ ระบบคลื่นวิทยุจะเปลี่ยนไปดังนี้:



2 กดปุ่ม MODE เพื่อเข้าสู่โหมดฟังกัซัน



3 กดปุ่ม SSM ค้างไว้ประมาณ 2 วินาที



“SSM” จะปรากฏขึ้น และหายไปเมื่อการตั้งสถานีล่วงหน้าเสร็จสิ้นลง

สถานี FM ท้องถิ่นที่มีสัญญาณแรงที่สุดจะถูกค้นหาและบันทึกโดยอัตโนมัติ ไว้ให้หมายเลขระบบคลื่นที่เลือกไว้ (FM1, FM2 หรือ FM3) สถานีเหล่านี้จะถูกตั้งไว้ล่วงหน้าที่ปุ่มหมายเลขได้แก่ หมายเลข 1 (ความถี่ต่ำสุด) จนถึงหมายเลข 6 (ความถี่สูงสุด)

เมื่อการตั้งสถานีล่วงหน้าอัตโนมัติเสร็จสิ้นลง สถานีที่บันทึกไว้ที่ปุ่มหมายเลข 1 จะรับได้โดยอัตโนมัติ

การตั้งสถานีล่วงหน้าด้วยตนเอง

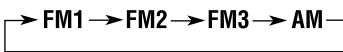
ท่านสามารถตั้งสถานีล่วงหน้าได้ 6 สถานี ในแต่ละระบบคลื่น (FM1, FM2, FM3 และ AM) ได้ด้วยตนเอง

ตัวอย่าง: บันทึกลงสถานี FM คลื่น 92.5 MHz
ลงในหมายเลข ตั้งไว้ล่วงหน้าหมายเลข 1
ในระบบคลื่น FM1

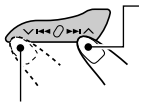
1 เลือกระบบคลื่น (FM1 – 3, AM) ที่ต้องการจะบันทึกคลื่นสถานีเข้าไป (ในตัวอย่างนี้เลือก FM1)



ทุกครั้งที่คุณปุ่มนี้ ระบบคลื่นวิทยุจะเปลี่ยนไปดังนี้:

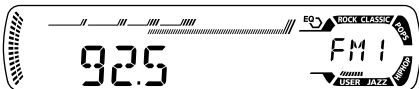


2 ปรับความถี่ให้ตรงกับสถานีวิทยุ (ในตัวอย่างนี้ คือ 92.5 MHz)

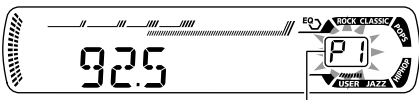


เพื่อฟังสถานีที่มีความถี่สูงขึ้น

เพื่อฟังสถานีที่มีความถี่ต่ำลง



3 กดปุ่มหมายเลขค้างไว้ (ในตัวอย่างนี้เลือก 1) นานกว่า 2 วินาที



หมายเลขที่ตั้งมาจากโรงงานจะกระพริบชั่วคราว

4 ทำซ้ำตามขั้นตอนข้างต้นนี้ หากต้องการบันทึกคลื่นวิทยุความถี่อื่นเข้าในปุ่มตั้งล่วงหน้าหมายเลข

หมายเหตุ:

- คลื่นวิทยุที่บันทึกเอาไว้ก่อนหน้านี้จะถูกลบออก หากคลื่นวิทยุความถี่ใหม่ถูกบันทึกเข้าในปุ่มตั้งล่วงหน้าหมายเลขเดียวกัน
- หากวงจรไฟฟ้ของหน่วยความจำถูกตัด (เช่นในกรณีเปลี่ยนถ่านใหม่) คลื่นวิทยุที่บันทึกไว้จะถูกลบออก ในกรณีนี้ ต้องบันทึกคลื่นวิทยุใหม่อีกครั้ง

การรับคลื่นสถานีที่ตั้งไว้ล่วงหน้า

คุณสามารถปรับคลื่นไปยังสถานีที่ตั้ง

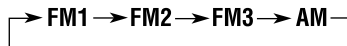
ไว้ล่วงหน้าได้อย่างง่ายดาย

โปรดจำไว้ว่าท่านต้องบันทึกสถานีไว้ก่อน หากยังไม่ได้บันทึก กรุณาดู “การบันทึกสถานีลงในหน่วยความจำ” หน้า 10 และ 11

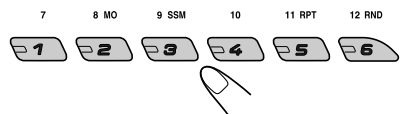
1 เลือกระบบคลื่น (FM1 – 3, AM)



ทุกครั้งที่คุณปุ่มนี้ ระบบคลื่นวิทยุจะเปลี่ยนไปดังนี้:



2 เลือกหมายเลข (1 – 6) สำหรับรับคลื่นสถานีที่ต้องการตั้งไว้ล่วงหน้า

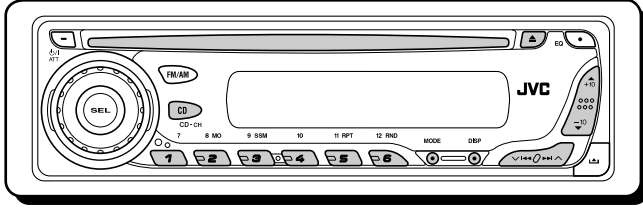


หมายเหตุ:

- คุณสามารถใช้ปุ่ม ▲ (ขึ้น) หรือ ▼ (ลง) บนเครื่องเพื่อเลือกสถานีที่อยู่ถัดไปหรือสถานีก่อนหน้า
- ทุกครั้งที่คุณปุ่ม ▲ (ขึ้น) หรือ ▼ (ลง) เครื่องจะรับคลื่นวิทยุของสถานีที่ตั้งไว้ในปุ่มถัดไป หรือปุ่มก่อนหน้า



การใช้งานเครื่องเล่นซีดี

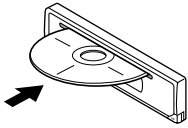


ไทย

โปรดอ่าน “การทำงานของ MP3” ในหน้า 16 ถึง 19 เพื่อทราบถึงวิธีเล่นดิสก์ MP3

การเล่นซีดี

ใส่แผ่นซีดีลงในช่องใส่

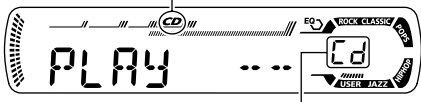


เมื่อเปิดเครื่อง เครื่องจะดึงแผ่นซีดีเข้าไปและเริ่มเล่นโดยอัตโนมัติ

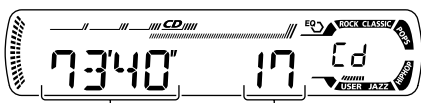
หมายเหตุการใช้งานโดยกลุ่มเดียว:

เมื่อมีแผ่นซีดีอยู่ในเครื่อง ให้กดปุ่ม CD หรือ CD-CH แล้วเปิดเครื่องจะเล่นแผ่นซีดีเองโดยอัตโนมัติ

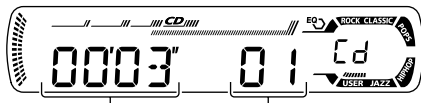
ไฟ CD



ไฟสัญญาณแสดงแหล่งเสียงปัจจุบัน



เวลาที่ทั้งหมดที่ใช้ในการเล่น จำนวนเพลงทั้งหมดในแผ่นดิสก์ที่อยู่ในช่องเล่นแผ่นดิสก์ที่เล่นอยู่



ระยะเวลาที่ได้เล่นเพลงไปแล้ว เพลงที่เล่นอยู่

เพลงทั้งหมดจะถูกเล่นซ้ำอีกครั้งจนกว่าคุณจะหยุดเล่น

หมายเหตุ:

- เมื่อใส่แผ่นซีดีกลับด้าน คำว่า “EJECT” จะปรากฏขึ้นบนหน้าจอ และแผ่นซีดีจะถูกคี้ออกจากเครื่องโดยอัตโนมัติ
- ถ้าไม่มีแผ่นซีดีในช่องเล่นซีดี คุณไม่สามารถเลือกซีดีเป็นแหล่งเสียงได้ด้วยอักษร “NO DISC” จะปรากฏบนหน้าจอ
- ถ้าดิสก์เป็น CD Text ชื่อดิสก์/ชื่อศิลปินและชื่อเพลงจะปรากฏขึ้นมาโดยอัตโนมัติ

การหยุดเล่นและนำแผ่นซีดีออก

ให้กดที่ปุ่ม ▲

ซีดีจะหยุดเล่น และคี้ออกจากช่องโดยอัตโนมัติ ซอร์สจะเปลี่ยนไปเป็นซอร์สที่เลือกไว้ก่อนหน้านี้

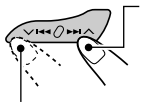
- หากเปลี่ยนแหล่งเสียง เครื่องจะหยุดเล่น CD (โดยที่ซีดีจะไม่ถูกคี้ออกมา CD) ในครั้งต่อไปที่เลือก “CD” เป็นแหล่งเสียง เครื่องจะเริ่มเล่น CD ต่อจากที่หยุดเล่นไว้ก่อนหน้านี้

หมายเหตุ:

- ภายใน 15 วินาที หากไม่หีบแผ่นซีดีที่คี้ออกมา เครื่องจะดึงแผ่นซีดีกลับเข้าช่องโดยอัตโนมัติเพื่อป้องกันไม่ให้แผ่นโดนฝุ่นละออง (โดยไม่มีการเล่นดิสก์ในจังหวะนี้)
- คุณสามารถนำแผ่นซีดีออกจากเครื่องได้แม้ว่าเครื่องจะปิดอยู่

การค้นหาเพลงหรือตำแหน่งที่ต้องการบนแผ่นซีดี

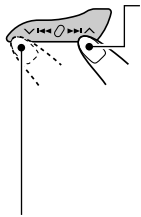
การกรอเพลงไปข้างหน้าหรือการกรอเพลงย้อนหลัง



หากต้องการกรอเพลงไปข้างหน้า ให้กดปุ่ม **▶▶ ▲** ค้างไว้ขณะที่เล่นซีดี

หากต้องการกรอเพลงย้อนหลัง ให้กดปุ่ม **◀◀ ▼** ค้างไว้ขณะที่เล่นซีดี

การไปยังเพลงถัดไปหรือเพลงที่ผ่านมา

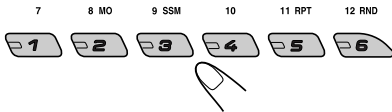


กดปุ่ม **▶▶ ▲** เพียงสั้นๆ ขณะเล่นซีดีเพื่อไปยังจุดเริ่มต้นของเพลงถัดไป หากกดปุ่มนี้หลายครั้งติดต่อกัน เครื่องจะกลับไปยังตอนเริ่มต้นของเพลงถัดไปและเริ่มเล่น

กดปุ่ม **◀◀ ▼** เพียงสั้นๆ ขณะเล่นซีดีเพื่อย้อนกลับไปยังจุดเริ่มต้นของเพลงปัจจุบัน หากกดปุ่มนี้หลายครั้งติดต่อกัน เครื่องจะกลับไปยังจุดเริ่มต้นของเพลงที่ผ่านมาและเริ่มเล่น

การไปยังเพลงที่ต้องการโดยตรง

ให้กดปุ่มหมายเลขของเพลงที่ต้องการเริ่มเล่น



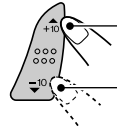
- หากต้องการเลือกเพลงหมายเลข 01 - 06 ให้กดที่ปุ่ม 1 (7) - 6 (12) เพียงสั้นๆ
- หากต้องการเลือกเพลงหมายเลข 07 - 12 ให้กดที่ปุ่ม 1 (7) - 6 (12) ค้างไว้เกินหนึ่งวินาที

การข้ามเพลง (ปุ่ม +10 และ -10)

1 กดปุ่ม **MODE** เพื่อเข้าสู่โหมดการทำงานขณะที่เล่นซีดีอยู่



2 กดปุ่ม **+10** หรือ **-10**



เพื่อข้ามไปข้างหน้า 10 แทร์ก* ไปยังแทร์กสุดท้าย

เพื่อย้อนหลังไป 10 แทร์ก* ไปยังแทร์กแรก

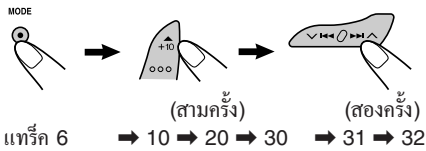
* ครั้งแรกที่กดปุ่ม **+10** หรือ **-10** เครื่องจะข้ามไปยังเพลง ข้างหน้าหรือข้างหลัง ที่ไกลที่สุดในจำนวนที่เพิ่มขึ้นทีละสิบ (อาทิเช่น เพลงที่ 10, 20, 30)

ดังนั้น ทุกครั้งที่กดปุ่มนี้เครื่องจะข้ามไปได้ทีละ 10 เพลง (โปรดดู “วิธีการใช้ปุ่ม **+10** และ **-10**” ด้านล่าง)

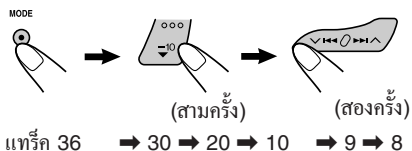
- เมื่อถึงเพลงสุดท้าย เครื่องจะเลือกเพลงแรกต่อ และเช่นเดียวกัน เมื่อถึงเพลงแรก เครื่องจะเลือกเพลงสุดท้ายต่อ

วิธีการใช้ปุ่ม +10 และ -10

- ตัวอย่าง 1: เมื่อต้องการเลือกเพลงที่ 32 ขณะกำลังเล่นเพลงที่ 6



- ตัวอย่าง 2: เมื่อต้องการเลือกเพลงที่ 8 ขณะกำลังเล่นเพลงที่ 36





การเลือกโหมดการเล่นซีดี

การเล่นซีดีแบบสุ่มหมายเลข (การเล่นแบบสุ่ม)

คุณสามารถสุ่มเล่นเพลงทุกเพลงที่อยู่ในดิสก์ได้

MODE



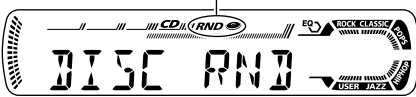
1 กดปุ่ม MODE เพื่อเข้าสู่โหมดการทำงาน
ขณะที่เล่นซีดีอยู่

12 RND



2 กดปุ่ม RND (สุ่ม) ขณะที่ไฟสัญญาณ
“MODE” ยังกระพริบอยู่ ด้วยชื่อ “DISC
RND” จะปรากฏบนหน้าปัดทุกครั้ง
ที่กดปุ่มนี้ โหมดสุ่มเล่นเพลงจะเปิดและ
ปิดสลับไปมา

ไฟสัญญาณ RND และ (แผ่น)



เมื่ออยู่ในระบบการเล่นแผ่นดิสก์แบบสุ่มเพลง ไฟสัญญาณ
RND และ จะปรากฏบนหน้าจอ เพลงที่ได้รั
บการเลือกแบบสุ่ม เริ่มบรรเลง

การเล่นซ้ำ (เล่นซ้ำเพลงเดิม)

คุณสามารถเล่นเพลงปัจจุบันซ้ำได้

MODE



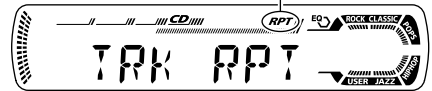
1 กดปุ่ม MODE เพื่อเข้าสู่โหมดการทำงาน
ขณะที่เล่นซีดีอยู่

11 RPT



2 กดปุ่ม RPT (ซ้ำ) ขณะที่ไฟสัญญาณ
“MODE” ยังกระพริบอยู่ ด้วยชื่อ
“TRK RPT” จะสว่างขึ้นบนหน้าปัด
ทุกครั้งที่เกิดปุ่มนี้ โหมดเล่นเพลงซ้ำจะเปิด
และปิดสลับกันไป

ไฟ RPT



เมื่อเลือกระบบการเล่นเพลงซ้ำ ไฟสัญญาณที่ปุ่ม RPT
จะสว่างขึ้นบนหน้าปัด เพลงที่เล่นอยู่ขณะนั้นจะ
บรรเลงซ้ำอีก



การเล่น CD Text

ใน CD Text จะมีข้อมูลเกี่ยวกับดิสก์ (เช่น ชื่อดิสก์ ชื่อศิลปิน และชื่อเพลง) บันทึกไว้ ข้อมูลเหล่านี้จะปรากฏโดยอัตโนมัติบน จอภาพเมื่อคุณเปิดเล่น CD Text

หากต้องการเปลี่ยนข้อมูล CD Text ด้วยตนเอง ให้เลือกโหมดแสดงข้อความขณะกำลังเล่น CD Text

DISP



กดปุ่ม DISP (ภาพหน้าจอ) ซ้ำหลายครั้ง และทุกครั้ง ที่ท่านกดปุ่มนี้ โหมดแสดงจะ เปลี่ยนไปตามข้างล่างนี้:



หมายเหตุ:

- หน้าปัดจะแสดงผลไม่เกิน 8 อักขระต่อครั้ง และจะเลื่อนจอลง ไปเพื่อแสดงข้อความที่เกินกว่า 8 อักขระ โปรดดูที่ “วิธีการเลือกโหมดการเลื่อนดู —SCROLL” ที่หน้า 23 อักขระหรือสัญลักษณ์บางตัวจะไม่แสดงผล (และจะถูกปล่อยใหว่าง) บนหน้าปัด (เช่น “ABC&!d#” ⇔ “ABCA D ”)
- เมื่อกด DISP (ภาพหน้าจอ) ขณะกำลังเล่นซีดีจากระบบเดิมๆ จะมีข้อความ “NO NAME” ปรากฏขึ้นมาแทนชื่อดิสก์/ศิลปินและชื่อเพลง
- เมื่อปรากฏชื่อแทร็ก ไฟ Tr และหมายเลขแทร็กปัจจุบันจะ ปรากฏขึ้นที่ด้านขวาของหน้าจอ

การห้ามติดแผ่นดิสก์ออกจากเครื่อง

คุณสามารถป้องกันไม่ให้เครื่องเล่นดันแผ่นดิสก์ออกมา และสามารถล็อกแผ่นดิสก์ไว้ในช่องบรรจุดิสก์ได้

ขณะกดปุ่ม CD CD-CH ให้กดปุ่ม ▲ ค้างไว้นานเกินกว่า 2 วินาที

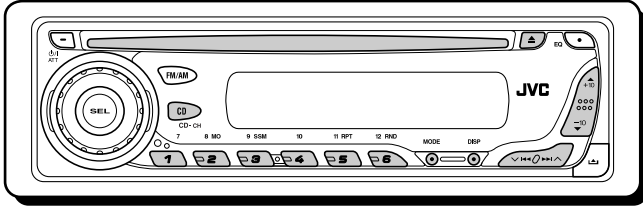


ข้อความว่า “EJECT” จะกะพริบบนหน้าปัดประมาณ 5 วินาที แผ่นดิสก์จะถูกล็อกไว้และไม่ถูกดันออกมา



การยกเลิกการห้ามติดแผ่นดิสก์และปลดล็อกแผ่นซีดี ขณะกดปุ่ม CD CD-CH ให้กดปุ่ม ▲ ค้างไว้อีกครั้ง นานกว่า 2 วินาทีข้อความ “EJECT” จะปรากฏขึ้นบนจอภาพ และแผ่นซีดีจะดีดออกจากช่องใส่

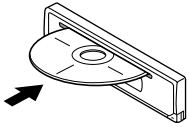




ดูรายละเอียดเพิ่มเติมเกี่ยวกับ “การใช้งานเครื่องเล่นซีดี”
ตั้งแต่ หน้า 12 ถึงหน้า 15

การเล่นดิสก์ MP3

ใส่ดิสก์ MP3 ลงในช่องใส่ดิสก์



หมายเหตุการใช้งานโดยกลุ่มเดียว:

ขณะแผ่นซีดีอยู่ในช่อง โหลดปุ่ม CD CD-CH แล้วเปิด เครื่องจะ
เล่นแผ่นซีดีเองโดยอัตโนมัติ



จำนวนโฟลเดอร์ทั้งหมด จำนวนไฟล์ทั้งหมด

ตัวอย่าง: เมื่อดิสก์มี 19 โฟลเดอร์และไฟล์ MP3
144 ไฟล์

เครื่องจะเล่นเพลงทั้งหมดในดิสก์ซ้ำ จนกว่าจะกดปุ่มหยุด

หมายเหตุ:

- ดิสก์ MP3 ต้องการเวลาในการอ่านมากกว่า
(เวลาในการอ่านจะแตกต่างกันไป ขึ้นอยู่กับความซับซ้อน
ของค่าก่อนพีกเกรนของโฟลเดอร์/ไฟล์)
- เมื่อเครื่องเริ่มเล่นเพลง ชื่อโฟลเดอร์และชื่อไฟล์
(หรือแท็ก ID3) จะปรากฏขึ้นมาโดยอัตโนมัติ
(โปรดดูในหน้า 17)
- ถ้าเปลี่ยนแหล่งเสียงหรือปิดเครื่องเล่น เครื่องจะหยุดเล่นดิสก์
(โดยไม่คืนแผ่นดิสก์ออกมา)
เมื่อเลือกเครื่องเล่นซีดีเป็นแหล่งเสียงหรือเปิดเครื่องเล่นซีดีใน
ครั้งต่อไป ดิสก์จะเริ่มเล่นต่อจากจุดที่หยุดเล่นไว้ก่อนหน้านั้น

วิธีหยุดเล่นและดึงแผ่นซีดีออก

กดปุ่ม ▲

เครื่องจะหยุดเล่น และแผ่นซีดีจะดีดออกจากช่องใส่เองโดยอัตโนมัติ



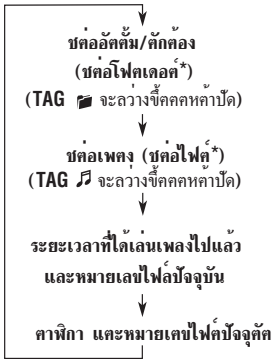
การเปลี่ยนข้อมูลบนหน้าปัด

ขณะกำลังเล่นไฟล์ MP3 คุณสามารถเปลี่ยนข้อมูลของคิสก์ MP3 ที่แสดงอยู่บนหน้าปัดได้



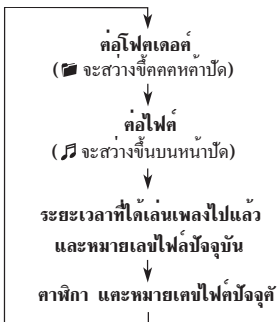
กดปุ่ม DISP (ภาพหน้าจอ) ซ้ำ
ทุกครั้งที่คุณกดปุ่มนี้ หน้าจอจะเปลี่ยนไปดังนี้:

- เมื่อ “TAG DISP” ถูกตั้งค่าเป็น “TAG ON” (การตั้งค่าเริ่มต้น: โปรดดูที่หน้า 23)



- * ถ้าไฟล์ MP3 ไม่มีแท็ก ID3 เครื่องจะแสดงชื่อไฟล์และชื่อไฟล์แทน ในกรณีนี้ ไฟล์สัญญาณ TAG จะไม่สว่างขึ้นบนหน้าปัด

- เมื่อ “TAG DISP” ถูกตั้งค่าเป็น “TAG OFF”

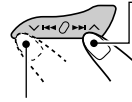


หมายเหตุ:

- หน้าปัดจะแสดงผลไม่เกิน 8 อักขระต่อครั้ง และจะเลื่อนจอลง ไปเพื่อแสดงข้อความที่เกินกว่า 8 อักขระ โปรดดูที่ “วิธีการเลือกโหมดการเลื่อนดู —SCROLL” ที่หน้า 23
- เมื่อชื่อของไฟล์หรือไฟล์ปรากฏขึ้น ไฟ Tr หรือหมายเลขไฟล์เดอริฟปัจจุบัน จะปรากฏขึ้นที่หน้าจอด้านขวา

การค้นหาไฟล์หรือตำแหน่งที่ต้องการบนคิสก์ MP3

วิธีเลื่อนไฟล์ไปยังหน้าหรือย้อนกลับ



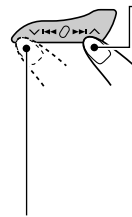
ให้กดปุ่ม >>> <<< ทางไว้ในขณะเล่นคิสก์ MP3 เพื่อให้เครื่องเลื่อนไฟล์ไปยังหน้าอย่างรวดเร็ว

ให้กด <<< >>> ทางไว้ ขณะเล่นคิสก์ MP3 เพื่อให้เครื่องย้อนไฟล์กลับ

หมายเหตุ:

ในระหว่างนี้ คุณจะได้ยินเสียงซัดช่วงเป็นพักๆ และเวลาที่ใช้ในการเล่นที่ปรากฏบนจอแสดงผลก็จะเดินๆ หยุดๆ เช่นกัน

วิธีข้ามไปยังไฟล์ลำดับต่อไปหรือก่อนหน้านั้น



กดปุ่ม >>> <<< ไว้สั้นๆ ขณะเล่นคิสก์ เพื่อข้ามไปยังจุดเริ่มต้นของไฟล์ในลำดับถัดไปทุกครั้ง
งที่กดปุ่มนี้ติดต่อกัน เครื่องจะค้นหาจุดเริ่มต้นของไฟล์ในลำดับถัดไป และจะเริ่มเล่น

กดปุ่ม <<< >>> เพียงสั้นๆ ขณะเล่นคิสก์ เพื่อข้ามไปยังจุดเริ่มต้นของไฟล์ก่อนหน้านั้น ทุกครั้ง
งที่กดปุ่มนี้ติดต่อกัน เครื่องจะค้นหาจุดเริ่มต้นของไฟล์ก่อนหน้านั้น และจะเริ่มเล่น

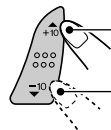
การเข้าถึงไฟล์ที่ต้องการภายในโฟลเดอร์ปัจจุบันอย่างรวดเร็ว (ปุ่ม +10 และ -10)

- 1 กดปุ่ม MODE เพื่อเข้าสู่โหมดการทำงานขณะกำลังเล่นคิสก์ MP3

MODE



- 2 กดปุ่ม +10 หรือ -10



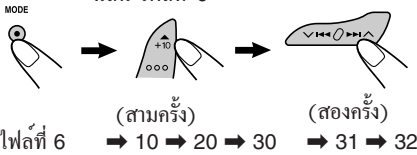
เพื่อข้ามไปยังหน้า 10 ไฟล์* ไปยังไฟล์สุดท้าย
เพื่อย้อนหลังไป 10 ไฟล์* ไปยังไฟล์แรก

มีด่อน้ำดัดไป

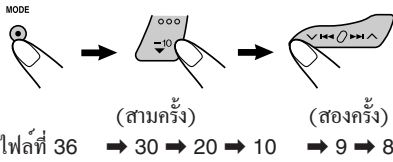
- * ครั้งแรกที่กดปุ่ม +10 หรือ -10 เครื่องจะข้ามไปยังไฟล์ถัดไปหรือไฟล์ก่อนหน้าที่อยู่ใกล้สุดด้วยจำนวนที่เพิ่มขึ้นทีละสิบ (อาทิเช่น เพลงที่ 10, 20, 30) ดังนั้น เมื่อกดปุ่มแต่ละครั้ง เครื่องจะข้ามไปที่เลข 10 ไฟล์ (โปรดดู “วิธีการใช้ปุ่ม +10 และ -10” ด้านล่าง)
- เมื่อข้ามไปจนถึงไฟล์สุดท้ายแล้ว เครื่องจะเลือกเล่นไฟล์แรกสุดในทันที และเช่นเดียวกันเมื่อไปถึงเพลงแรก เครื่องจะข้ามไปเลือกเพลงสุดท้ายต่อ

วิธีการใช้ปุ่ม +10 และ -10

- ตัวอย่าง 1: หากต้องการเลือกไฟล์ที่ 32 ขณะกำลังเล่น ไฟล์ที่ 6



- ตัวอย่าง 2: หากต้องการเลือกไฟล์ที่ 8 ขณะกำลังเล่น ไฟล์ที่ 36



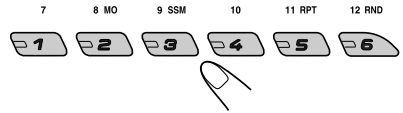
วิธีการเข้าถึงไฟล์ที่ต้องการโดยตรง

สิ่งสำคัญ:

หากต้องการเลือกไฟล์ที่ต้องการโดยตรงโดยใช้ปุ่มหมายเลข ต้องกำหนดเลขสองตัวแรกไว้ข้างหน้าชื่อไฟล์ (สามารถกำหนดตัวเลขได้ในระหว่างการบันทึกของ CD-R ของ CD-RW เท่านั้น)

- ตัวอย่าง: ถ้าชื่อไฟล์คือชื่อ “01 ABC”
- โทคด 1 เพื่อไปยังไฟล์ 01 ABC
 - ถ้าชื่อไฟล์คือชื่อ “1 ABC” การกดเลข 1 จะไม่ส่งผลการทำงาน
 - ถ้าชื่อไฟล์คือชื่อ “12 ABC”
 - โทคดเลข 6 (12) ค้างไว้เพื่อไปยังไฟล์ 12 ABC

กดปุ่มหมายเลขที่ตรงกับหมายเลขไฟล์เพื่อเริ่มเล่นไฟล์แรกในไฟล์เดอร์ที่เลือก



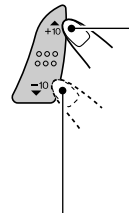
- หากต้องการเลือกไฟล์เดอร์ที่หมายเลข 01 – 06: โทคด 1 (7) – 6 (12) สั้นๆ
- หากต้องการเลือกไฟล์เดอร์ที่หมายเลข 07 – 12: โทคด 1 (7) – 6 (12) ค้างไว้นานเกินกว่าหนึ่งวินาที

หมายเหตุ:

- ถ้าไฟร์ หรือบนหน้าจอ หลังจากเลือกไฟล์เดอร์ที่แล้ว แสดงว่าไฟล์เดอร์ที่นั้นไม่มีไฟล์ MP3 อยู่
- คุณไม่สามารถเลือกไฟล์เดอร์ที่ที่มีหมายเลขเกินกว่า 12 ได้โดยตรง

หากต้องการเลือกไฟล์ที่ต้องการในไฟล์เดอร์ที่ โทคด >>> <<< หรือ <<< >>> หลังจากเลือกไฟล์เดอร์ที่

การข้ามไปยังไฟล์เดอร์ที่ถัดไปหรือไฟล์เดอร์ที่ก่อนหน้า



กดปุ่ม ▲ (ขึ้น) ขณะกำลังเล่นดีสค์ MP3 เพื่อข้ามไปยังไฟล์เดอร์ที่ถัดไป เมื่อกดปุ่มอย่างต่อเนื่อง เครื่องจะจะไปหยุดอยู่ที่ไฟล์เดอร์ที่ถัดไป (และเครื่องจะเริ่มเล่นไฟล์แรกในไฟล์เดอร์ที่นั้นถ้ามีไฟล์บันทึกเอาไว้)

กดปุ่ม ▼ (ลง) ขณะกำลังเล่นดีสค์ MP3 เพื่อกลับไปยังไฟล์เดอร์ที่ก่อนหน้า เมื่อกดปุ่มอย่างต่อเนื่อง เครื่องจะไปหยุดอยู่ที่ไฟล์เดอร์ที่ก่อนหน้า (และเครื่องจะเริ่มเล่นไฟล์แรกในไฟล์เดอร์ที่นั้นถ้ามีไฟล์บันทึกเอาไว้)

หมายเหตุ:

ถ้าไฟล์เดอร์ที่ไม่มีไฟล์ MP3 เครื่องจะข้ามไฟล์เดอร์ที่นั้นไป



การเลือกโหมดการเล่น MP3

การเล่นไฟล์แบบสุ่ม (การเล่นโฟลเดอร์แบบสุ่ม/ การเล่นแผ่นดิสก์แบบสุ่ม)

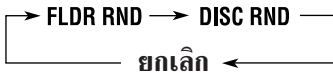
คุณสามารถสุ่มเล่นไฟล์ทั้งหมดในโฟลเดอร์ปัจจุบัน
หรือไฟล์ ทั้งหมดในแผ่นดิสก์ MP3



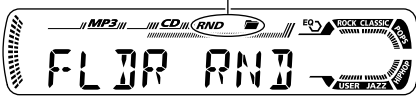
- กดปุ่ม MODE เพื่อเข้าสู่โหมดการทำงาน ขณะกำลังเล่นดิสก์ MP3 ไฟล์สัญญาณ



- กดปุ่ม RND (สุ่ม) ขณะที่ไฟล์สัญญาณ “MODE” ยังกะพริบอยู่บนหน้าปัด เพื่อให้ “FLDR RND” หรือ “DISC RND” ปรากฏบนหน้าปัด เมื่อกดปุ่มแต่ละครั้ง โหมดการเล่นแบบสุ่มจะเปลี่ยนไปดังต่อไปนี้:



ไฟล์สัญญาณ RND และ (โฟลเดอร์)



ตัวอย่าง: เมื่อคุณเลือก “FLDR RND”

โหมด	สัญญาณ	ไฟล์ที่เล่นแบบสุ่ม ที่สว่างขึ้น
FLDR RND	ไฟล์สัญญาณ RND และ จะสว่างขึ้น	ไฟล์ทั้งหมดของโฟลเดอร์ปัจจุบัน จากนั้นจะเป็นไฟล์ของโฟลเดอร์ถัดไป และเป็นเช่นนี้ไปเรื่อยๆ
DISC RND	ไฟล์สัญญาณ RND และ จะสว่างขึ้น	ทุกไฟล์บนดิสก์

วิธีเล่นไฟล์ซ้ำ (การเล่นเพลงซ้ำ/การเล่นโฟลเดอร์ซ้ำ)

คุณสามารถเล่นซ้ำไฟล์ปัจจุบันหรือไฟล์ทั้งหมดในโฟลเดอร์ปัจจุบันได้

MODE



- กดปุ่ม MODE เพื่อเข้าสู่โหมดการทำงาน ขณะกำลังเล่นดิสก์ MP3 ไฟล์สัญญาณ

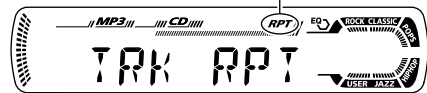
11 RPT



- กดปุ่ม RPT (ซ้ำ) ขณะที่ไฟล์สัญญาณ “MODE” ยังกะพริบอยู่บนหน้าปัด เพื่อให้ “TRK RPT” หรือ “FLDR RPT” ปรากฏบนหน้าปัด ทุกครั้งที่กดปุ่มนี้ โหมดเล่นสุ่มเพลงจะเปลี่ยนไปดังนี้:



ไฟ RPT



ตัวอย่าง: เมื่อคุณเลือก “TRK RPT”

โหมด	สัญญาณ	ไฟล์ที่เล่นซ้ำ ที่สว่างขึ้น
TRK RPT	ไฟ RPT จะสว่างขึ้น	ไฟล์ปัจจุบัน (หรือไฟล์ที่ต้องการ)
FLDR RPT	ไฟล์สัญญาณ และ RPT จะสว่างขึ้น	ไฟล์ทั้งหมดในโฟลเดอร์ปัจจุบัน (หรือโฟลเดอร์ที่ต้องการ)



การปรับแต่งเสียง

การเลือกโหมดตั้งโปรแกรมเสียง (C-EQ: รูปแบบอีควอลไลเซอร์ที่เลือกเอง)

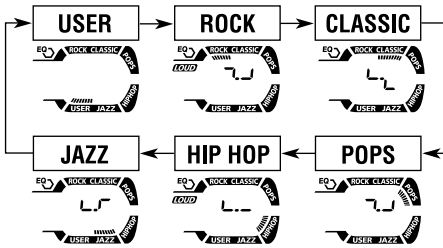
คุณสามารถเลือกโหมดตั้งโปรแกรมเสียงไว้ล่วงหน้าได้ (C-EQ: รูปแบบอีควอลไลเซอร์ที่เลือกเอง) เพื่อให้เหมาะสมกับประเภทของคนตรี

ไทย

เลือกโหมดเสียงตามที่ต้องการ



ทุกครั้งที่คุณปุ่มนี้โหมดเสียงจะเปลี่ยนไปดังนี้:



รูปแบบไฟจะเปลี่ยนไป สำหรับเสียงแต่ละโหมด ยกเว้นโหมด "USER"



ตัวอย่าง: เมื่อคุณเลือก "ROCK"

ไฟสัญญาณ	สำหรับ:	ค่าที่ตั้งไว้ล่วงหน้า		
		BAS	TRE	LOUD
USER	(โหมดยุติเสียงของผู้ใช้)	+02	+01	OFF
ROCK	ดนตรีร็อกหรือดิสโก้	+03	+01	ON
CLASSIC	ดนตรีคลาสสิก	+01	-02	OFF
POPS	ดนตรีเบาๆ	+04	+01	OFF
HIP HOP	ดนตรีฟังก์หรือแร็ป	+02	00	ON
JAZZ	ดนตรีแจ๊ส	+02	+03	OFF

หมายเหตุ:

คุณสามารถปรับแต่งโหมดเสียงแต่ละโหมดได้ตามต้องการ เมื่อปรับแต่งแล้ว ค่าที่ได้จะถูกบันทึกไว้สำหรับโหมดเสียงที่เลือกอยู่โดยอัตโนมัติ ดู "การปรับแต่งเสียง" หน้า 21

การปรับแต่งเสียง

คุณสามารถปรับแต่งประเภทของเสียงได้ตามใจชอบ

1 เลือกรายการที่ต้องการปรับแต่ง



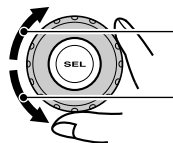
ทุกครั้งที่กดปุ่มนี้ ประเภทของเสียงก็จะเปลี่ยนไปตามข้างล่างนี้:



ไฟสัญญาณ	เพื่อ:	ขอบเขต
BAS*1 (เสียงท่อม)	ปรับแต่งเสียงท่อม	-06 (ต่ำสุด) +06 (สูงสุด)
TRE*1 (เสียงแหลม)	ปรับแต่งเสียงแหลม	-06 (ต่ำสุด) +06 (สูงสุด)
FAD*2 (ตัวลดเสียง)	ปรับความสมดุลของลำโพงหน้าและหลัง	R06 (เฉพาะด้านหลัง) F06 (เฉพาะด้านหน้า)
BAL (ความสมดุล)	ปรับความสมดุลของลำโพงชายและขวา	L06 (เฉพาะด้านซ้าย) R06 (เฉพาะด้านขวา)
LOUD*1 (ตั้งค่าเสียงดั่ง-เบา)	เสริมความถี่ต่ำและสูงเพื่อทำให้เสียงเกิดความสมดุล ณ ระดับเสียงที่ต่ำ	LOUD ON LOUD OFF
VOL*3 (ระดับเสียง)	ปรับระดับเสียง	00 (ต่ำสุด) 30 หรือ 50 (สูงสุด)*4

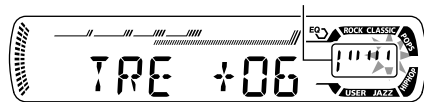
- *1 เมื่อปรับแต่งเสียงท่อม เสียงแหลม หรือเสียงดั่ง-เบา ค่าดังกล่าวจะถูกบันทึกไว้สำหรับโหมดเสียงที่เลือกอยู่ (C-EQ) รวมทั้ง “USER”
- *2 หากคุณจะใช้ระบบสองลำโพง ให้ตั้งระดับตัวลดเสียงไว้ที่ “00”
- *3 กดปุ่มควบคุม จะทำงานเป็นตัวควบคุมระดับความดังของเสียงด้วย ดังนั้นจึงไม่จำเป็นต้องเลือก “VOL” เพื่อปรับระดับความดังของเสียง
- *4 ขึ้นอยู่กับการตั้งระดับควบคุมความแรงของสัญญาณจากแอมพลิฟายเออร์ (ดูรายละเอียดในหน้า 23)

2 ปรับระดับเสียง



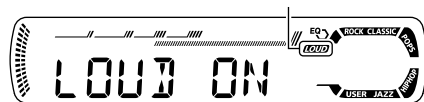
เมื่อต้องการปรับเสียงให้ดังขึ้นหรือเปิดเสียง
เมื่อต้องการปรับเสียงให้เบาลงหรือปิดเสียง

รูปแบบไฟจะเปลี่ยนไปตามที่ปุ่มปรับเสียงท่อมหรือเสียงแหลม



ตัวอย่าง 1: เมื่อคุณเลือก “TRE” (เสียงแหลม)

ไฟ LOUD (ตั้งค่าเสียงดั่ง-เบา)



ตัวอย่าง 2: เมื่อคุณเปิดโหมดเสียงดั่ง-เบา

3 ทำซ้ำตามขั้นตอน 1 และ 2 เพื่อเลือกปรับแต่งรายการอื่นๆ

วิธีตั้งโหมดเสียงแต่ละโหมดให้กลับเป็นค่าเดิมที่ตั้งไว้เมื่อผลิต ทำซ้ำขั้นตอนเดิม และกำหนดค่าที่ตั้งไว้ล่วงหน้าใหม่อีกครั้งตามที่แสดงในรายการหน้า 20



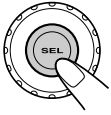
การทำงานที่สำคัญอย่างอื่น

การเปลี่ยนค่าทั่วไป (PSM)

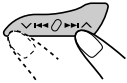
คุณสามารถเปลี่ยนรายการในตารางด้านล่างได้
โดยใช้ปุ่มควบคุม PSM (ใหม่ตั้งค่าตามความชอบ)

ขั้นตอนพื้นฐาน

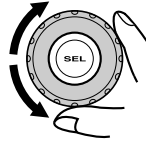
1 กดปุ่ม SEL (เลือก) ค้างไว้เกินกว่า 2 วินาทีเพื่อให้รายการใดรายการหนึ่งของ PSM ปรากฏบนหน้าปัด (ดูด้านล่าง)



2 เลือกรายการของ PSM ที่ต้องการปรับเปลี่ยนค่า



3 ปรับโปรแกรมของรายการใหม่ หรือ PSM ที่ใดเลือกไว้แล้ว



4 ทำซ้ำขั้นตอนที่ 2 และ 3 เพื่อปรับรายการอื่นๆ ของ PSM ถ้าจำเป็น

5 เสร็จสิ้นการตั้งค่า



รายการใหม่การตั้งค่าด้วยตัวเอง (PSM)

• สำหรับรายละเอียดการใช้งานของรายการ PSM แต่ละรายการ โปรดดูในหน้าซึ่งระบุไว้แล้วในตาราง

ไฟสัญญาณ	ค่า/รายการที่เลือกได้	ค่าเดิมที่ตั้งไว้เมื่อผลิต	คู่มือที่หน้า
CLOCK H การปรับชั่วโมง	1 – 12	1 (1:00)	8
CLOCK M การปรับนาฬิกา	00 – 59	00 (1:00)	
DIMMER โหมดปรับแสงสลัว	OFF ON	OFF	23
SCROLL โหมดเลื่อนดู	ONCE ↔ AUTO ↵ OFF ↗	ONCE	23
EXT IN* ส่วนประกอบภายนอก	CHANGER LINE IN	CHANGER	23
TAG DISP จอแสดงผลแท็ก	TAG OFF TAG ON	TAG ON	23
AMP GAIN ควบคุมความแรงของสัญญาณจากแอมพลิฟายเออร์	LOW PWR HIGH PWR	HIGH PWR	23

* เฉพาะสำหรับรุ่น จะแสดงบนจอภาพเฉพาะเวลาที่เลือกซอร์สที่ซอร์สหนึ่งต่อไปนี้เท่านั้น FM, AM, และ CD.



วิธีเลือกโหมดหรี่แสง—DIMMER

คุณสามารถหรี่แสงบนจอภาพตอนกลางคืนได้ (ตามต้องการ) เครื่องจะปิดโหมดหรี่แสงมาจากโรงงาน

- OFF: ยกเลิกโหมดหรี่แสง
- ON: ปิดใช้โหมดหรี่แสง

วิธีการเลือกโหมดการเลื่อนดู—SCROLL

คุณสามารถเลือกโหมดเลื่อนดูเพื่อดูข้อมูลในดิสก์ (ในกรณีที่ไม่สามารถแสดงข้อมูลทั้งหมดได้ภายในครั้งเดียว) เครื่องที่เพิ่งออกจากโรงงานจะตั้งค่าการเลื่อนดูไว้ที่ “ONCE”

- ONCE: เลื่อนลงเพียงหนึ่งครั้ง
- AUTO: เลื่อนลงซ้ำอีกครั้ง (โดยมีช่วงห่าง 5 วินาที)
- OFF: ยกเลิกการเลื่อนดู

หมายเหตุ:

แม้ว่าจะตั้งค่าการเลื่อนดูไว้ที่ “OFF” คุณยังสามารถเลื่อนดูผลได้ด้วยวิธีการกด DISP (ภาพหน้าจอ) ครั้งไว้นานเกินกว่าหนึ่งวินาที

วิธีตั้งโหมดใช้อุปกรณ์อื่นกับเครื่อง—EXT IN

คุณสามารถต่ออุปกรณ์ภายนอกเข้ากับช่องเสียบของตัวเปลี่ยนซีดีที่อยู่ด้านหลังโดยใช้สายของอะแดปเตอร์ รุ่น KS-U57 (ไม่รวมอยู่ในชุดอุปกรณ์นี้)

เสียบเข้าช่องดังกล่าว หากจะใช้อุปกรณ์ภายนอกเป็นตัวเลือกผ่านเครื่องนี้ ต้องเลือกอุปกรณ์ที่ต้องใช้ควบคุมไปด้วย ซึ่งอาจเป็นตัวเปลี่ยนซีดี หรืออุปกรณ์ภายนอก ก่อนผลิตกันซ์ออกจากโรงงาน เครื่องที่มาจากรถยนต์ จะเลือกให้ตัวเปลี่ยนซีดีเป็นส่วนประกอบภายนอกอยู่แล้ว

- CHANGER: กดปุ่มนี้ หากต้องใช้ตัวเปลี่ยนซีดี
- LINE IN: กดปุ่มนี้ หากต้องการใช้อุปกรณ์ภายนอกแทนตัวเปลี่ยนซีดี

หมายเหตุ:

หากต้องการต่อสายของอะแดปเตอร์ รุ่น KS-U57 และอุปกรณ์ภายนอกเข้ากับตัวเครื่อง โปรดดูคู่มือการติดตั้งและคู่มือการติดตั้ง (คนละเล่ม)

เปิดหรือปิดโหมดของการแสดงข้อมูล—TAG DISP

แท็กของ MP3 ประกอบด้วยข้อมูลต่างๆ เรียกว่า “ID3 Tag” ซึ่งจะมีชื่ออัลบั้ม ชื่อศิลปิน ชื่อเพลง เป็นต้น ถูกบันทึกไว้

มีอยู่สองรุ่น คือรุ่น ID3v1 (แท็ก ID3 เวอร์ชัน 1) และ ID3v2 (แท็ก ID3 เวอร์ชัน 2) หากบันทึกทั้ง ID3v1 และ ID3v2 ลงบนดิสก์ ข้อมูล ID3v2 จะปรากฏขึ้น เครื่องที่ออกจากโรงงานจะเลือก “TAG ON” ไว้แล้ว

- TAG OFF: ปิดโหมดของการแสดงข้อมูล ID3 ขณะเล่นไฟล์ MP3 (จะแสดงเฉพาะชื่อโพลเดอร์และชื่อไฟล์เท่านั้น)
- TAG ON: เปิดโหมดของการแสดงข้อมูล ID3 ขณะเล่นไฟล์ MP3
 - ถ้าไฟล์ MP3 ไม่มีแท็ก ID3 ชื่อโพลเดอร์และชื่อไฟล์จะปรากฏขึ้นมา

วิธีเลือกระดับการควบคุมความแรงของสัญญาณจากแอมพลิฟายเออร์—AMP GAIN

คุณสามารถปรับระดับเสียงสูงสุดของเครื่องได้ ถ้าลำโพงมีกำลังขับสูงสุดไม่เกิน 50 W ให้เลือก “LOW PWR” เพื่อป้องกันไม่ให้เครื่องเสียหาย เครื่องจะตั้งไว้ที่ “HIGH PWR” มาจากโรงงาน

- LOW PWR: คุณสามารถปรับระดับความดังจาก “VOL 00” เป็น “VOL 30” ได้

หมายเหตุ:

ถ้าคุณเปลี่ยนจาก “HIGH PWR” เป็น “LOW PWR” ตอนฟังเสียงอยู่ที่ระดับสูงกว่า 30 เครื่องจะเปลี่ยนระดับความดังไปที่ “VOL 30” ให้โดยอัตโนมัติ

- HIGH PWR: คุณสามารถปรับระดับความดังจาก “VOL 00” เป็น “VOL 50” ได้



การถอดแผงควบคุม

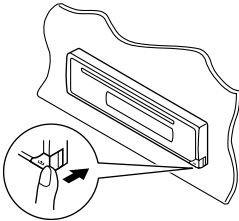
คุณสามารถถอดแผงควบคุมออกมาได้เมื่อจอตริ่งไว้ เมื่อถอดหรือใส่แผงควบคุม ระวังอย่าให้กระทบกระเทือนกับตัวเชื่อมต่อที่อยู่ด้านหลังของหน้าปัดและที่อยู่ในที่ขีดแผงควบคุม

ไทย

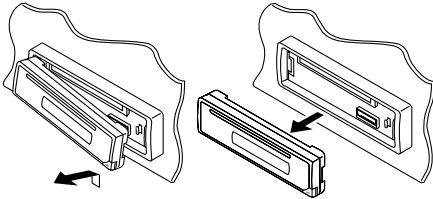
การถอดแผงควบคุม

ก่อนที่จะถอดแผงควบคุมออกต้องปิดเครื่องเสียก่อน

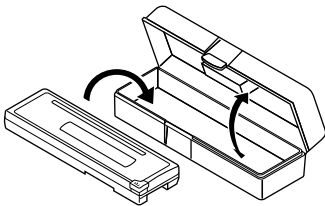
1 ปลดล็อกตัวแผงควบคุม



2 ยกและดึงแผงควบคุมออกจากถังเครื่อง

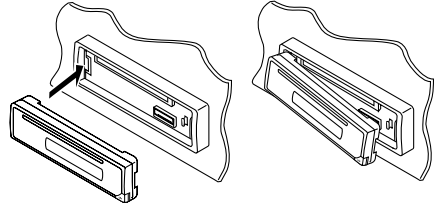


3 นำแผงควบคุมที่ถอดออกมาเก็บใส่กล่องที่เตรียมไว้ให้

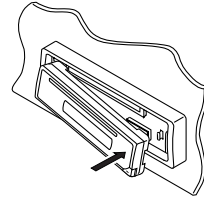


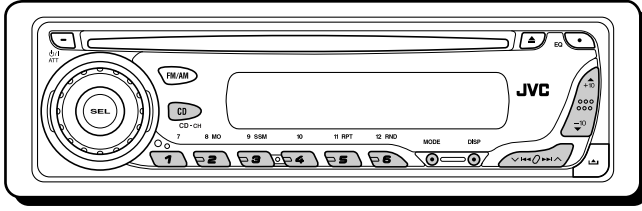
การใส่แผงควบคุมกลับเข้าที่

1 นำแผงควบคุมทางด้านซ้าย ใส่เข้าไปในช่องยึดแผงควบคุมบนตัวเครื่อง



2 กดทางด้านขวาของหน้าปัด ให้ล็อกกับตัวเครื่อง





ขอแนะนำให้ต่อซีดีเซนเซอร์ที่สามารถทำงานร่วมกับ JVC MP3
บเครื่องเล่นของคุณได้

โดยการใช้ตัวเปลี่ยนซีดีนี้ คุณสามารถเล่นแผ่น CD-R
(แผ่นที่สามารถบันทึกได้) ดับฉบับ และ CD-RW
(แผ่นที่สามารถเขียนทับได้) ไม่ว่าจะมี
บันทึกในรูปแบบซีดีเพลงหรือ MP3

- คุณสามารถต่อตัวเปลี่ยนซีดีรุ่น CH-X อื่นๆ ได้ (ยกเว้นรุ่น
CH-X99 และ CH-X100)
อย่างไรก็ตาม ตัวเปลี่ยนซีดีดังกล่าวอาจไม่สามารถทำงานร่วมกั
บดิสก์ MP3 ทำให้คุณไม่สามารถเล่นดิสก์ MP3 ได้
- คุณไม่สามารถใช้ตัวเปลี่ยนซีดีรุ่น KD-MK กับเครื่องเล่นนี้

ก่อนใช้งานตัวเปลี่ยนซีดี คุณควรจะ:

- อ่านคู่มือของตัวเปลี่ยนซีดี
- ถ้าไม่มีแผ่นซีดีอยู่ในช่องใส่แผ่นซีดีหรือแผ่นซีดีวาง
กลับด้านอยู่ คำว่า “NO DISC” ปรากฏบนหน้าจอ
หากเป็นเช่นนั้นให้นำแผ่นซีดีออกจากช่องใส่
แล้ววางให้ถูกต้อง
- ถ้าไม่มีช่องใส่ดิสก์อยู่ในเครื่องเล่นซีดี คำว่า “NO MAG”
จะปรากฏขึ้นที่หน้าจอ ถ้าเป็นเช่นนั้น ให้ใส่ช่องใส่ดิสก์
เขาไปในเครื่องเล่นซีดี
- หากคำ “RESET 1” ถึง “RESET 8” ปรากฏบน
จอภาพ แสดงว่าสายไฟที่ต่อระหว่างเครื่องเล่นนี้กับตัวเปลี่ยน
ซีดีไม่ถูกต้องหรือไม่แน่น หากเป็นเช่นนั้น ให้ตรวจสอบจุด
การต่อสายไฟ และ
ให้แน่ใจว่าได้ต่อสายไฟเข้าที่แน่นดีแล้ว จากนั้น
จึงกดปุ่มตั้งโปรแกรมใหม่ของเครื่องเล่นซีดี

การเล่นแผ่นดิสก์

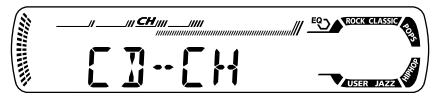
เลือกตัวเปลี่ยนซีดี CD (CD-CH)



* ถ้าเปลี่ยนค่า “EXT IN” ไปเป็น “LINE IN”
(โปรดดูหน้าที่ 23) คุณจะไม่สามารถเลือกตัวเปลี่ยนซีดีได้

- หากดิสก์ที่ใส่อยู่เป็นแผ่น MP3:

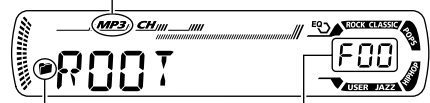
เครื่องจะเริ่มเล่นจากโฟลเดอร์แรกของดิสก์ที่ใส่อยู่ทันทีที่ตรวจ
สอบไฟล์เสร็จแล้ว



หมายเลขดิสก์ที่เลือก



ไฟ MP3

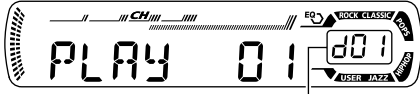
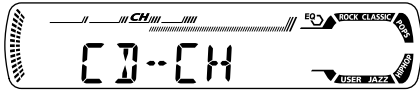


ไฟ (โฟลเดอร์) หมายเลขโฟลเดอร์ที่เลือก

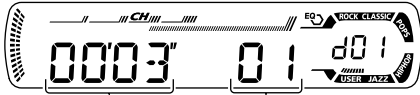
หมายเหตุ:

ชื่อโฟลเดอร์จะปรากฏขึ้นบนหน้าบัคแทน “ROOT” หากในดิสก์
MP3 มีโฟลเดอร์อยู่หนึ่งโฟลเดอร์

- หากคิสิกที่ใส่อยู่เป็นแผ่นซีดี: เครื่องจะเริ่มเล่นจากเพลงแรกของคิสิกนั้น



หมายเลขคิสิกที่เลือก



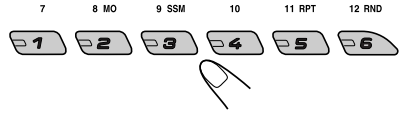
ระยะเวลาที่ได้เล่นเพลงไปแล้ว เพลงที่เล่นอยู่

หมายเหตุ:

- เวลาที่ CD CD-CH เครื่องจะเปิดทำงานเองโดยอัตโนมัติ จึงไม่จำเป็นต้องกดปุ่ม **⏪/ATT** เพื่อเปิดให้เครื่องทำงาน
- หากเปลี่ยนแหล่งโหเสียง ตัวเปลี่ยนซีดีจะหยุดทำงานด้วย และในครั้งต่อไปที่เลือกตัวเปลี่ยนซีดีเป็นแหล่งเสียง ตัวเปลี่ยนซีดีจะเริ่มเล่นแผ่นคิสิกจากจุดที่เคยหยุดเล่นก่อนหน้านี้
- เมื่อคุณเริ่มเล่นคิสิก CD Text หรือคิสิก MP3 ข้อมูลของคิสิกจะปรากฏขึ้นบนหน้าบัคโดยอัตโนมัติ (ดูในหน้า 15 ถึง 17)

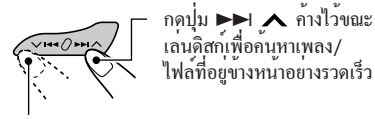
การเลือกแผ่นคิสิกที่ต้องการโดยตรง

กดปุ่มหมายเลขให้ตรงกับหมายเลขคิสิก เพื่อเริ่มเล่นเพลง (ขณะที่ตัวเปลี่ยนซีดีกำลังเล่นเพลง)



- เลือกแผ่นซีดีแผ่นที่ 01 – 06: โหค 1 (7) – 6 (12) สั้นๆ
- เลือกแผ่นซีดีแผ่นที่ 07 – 12: โหค 1 (7) – 6 (12) ค้างไว้เกินหนึ่งวินาที

การไปยังห้อยางเร็วหรือการเล่นย้อนกลับ



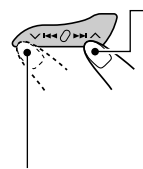
กดปุ่ม **▶▶** ค้างไว้ขณะเล่นคิสิกเพื่อค้นหาเพลง/ไฟล์ที่อยู่ข้างหน้าอย่างรวดเร็ว

กดปุ่ม **◀◀** ค้างไว้ขณะเล่นคิสิกเพื่อค้นหาเพลง/ไฟล์ที่ผ่นมาอย่างรวดเร็ว

หมายเหตุ:

ในระหว่างนี้ คุณจะได้ยินเสียงขาดช่วงเป็นพักๆ แล (เวลาที่ใช้ในการเล่นที่ปรากฏบนจอแสดงผลก็จะเดินๆ หยุดๆ เช่นกัน)

การไปยังเพลง/ไฟล์ที่อยู่ถัดไปหรือก่อนหน้า



กดปุ่ม **▶** เพียงสั้นๆ ขณะเล่นคิสิกเพื่อข้ามไปยังจุดเริ่มต้นของเพลง/ไฟล์ถัดไป ทุกครั้งที่กดปุ่มนี้ติดต่อกัน เครื่องจะเลื่อนไปยังจุดเริ่มต้นของเพลง/ไฟล์ถัดไปแล้วเริ่มเล่น

กดปุ่ม **◀** สั้นๆ ขณะเล่นคิสิกเพื่อย้อนไปยังจุดเริ่มต้นของเพลง/ไฟล์ที่กำลังเล่นอยู่ ทุกครั้งที่กดปุ่มนี้ติดต่อกัน เครื่องจะเลื่อนไปยังจุดเริ่มต้นของเพลง/ไฟล์ก่อนหน้าแล้วเริ่มเล่น

เครื่องจะทำงานเมื่อใช้ตัวเปลี่ยนซีดีที่สามารถทำงานร่วมกับ JVC MP3 เท่านั้น (รุ่น CH-X1500)

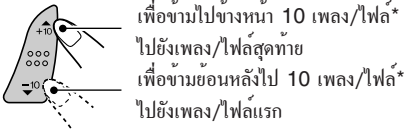
การไปยังเพลง/ไฟล์อย่างรวดเร็ว (ปุ่ม +10 และ -10)

- 1 กดปุ่มโหมดหรือ MODE เพื่อเข้าสู่โหมดการทำงานขณะเล่นแผ่นซีดี

MODE



- 2 กดปุ่ม +10 หรือ -10



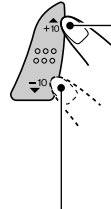
เพื่อข้ามไปยังหน้า 10 เพลง/ไฟล์*
ไปยังเพลง/ไฟล์สุดท้าย
เพื่อข้ามย้อนหลังไป 10 เพลง/ไฟล์*
ไปยังเพลง/ไฟล์แรก

- * ครั้งแรกที่กดปุ่ม +10 หรือ -10 คุณจะข้ามไปยังเพลงข้างหน้าหรือข้างหลังที่ไกลที่สุดที่อยู่ในหลักสิบ (อาทิเช่น เพลงที่ 10, 20, 30) จากนั้น เมื่อกดปุ่มในแต่ละครั้ง เครื่องจะข้ามไปที่ละ 10 เพลง/ไฟล์ (โปรดดู “วิธีการใช้ปุ่ม +10 และ -10” ด้านล่าง)
- เมื่อถึงเพลงสุดท้าย เครื่องจะเลือกเพลงแรกสุด และเช่นเดียวกัน เมื่อถึงเพลงแรก เครื่องจะเลือกเพลงสุดท้ายต่อ

หมายเหตุ:

หากแผ่นดิสก์ที่เปิดอยู่เป็นแผ่น MP3 ไฟล์จะข้ามไปภายในไฟล์เดอเดียวกัน

การข้ามไปยังไฟล์เดอถัดไปหรือก่อนหน้า (สำหรับแผ่น MP3 เท่านั้น)



กดปุ่ม ▲ (ขึ้น) ขณะกำลังเล่นดิสก์ MP3 เพื่อข้ามไปยังไฟล์เดอถัดไป เมื่อกดปุ่มอย่างต่อเนื่อง เครื่องจะข้ามไปยังไฟล์เดอที่ไฟล์เดอถัดไป และเครื่องจะเริ่มเล่นไฟล์แรกในไฟล์เดอนั้น

กดปุ่ม ▼ (ลง) ขณะกำลังเล่นดิสก์ MP3 เพื่อกลับไปไปยังไฟล์เดอก่อนหน้า

เมื่อกดปุ่มอย่างต่อเนื่องกัน เครื่องจะข้ามไปยังไฟล์เดอที่ไฟล์เดอก่อนหน้า และเครื่องจะเริ่มเล่นไฟล์แรกในไฟล์เดอ

การแสดงผลข้อมูลของดิสก์สำหรับ CD Text และดิสก์ MP3

ข้อมูลจะแสดงผลได้เมื่อเชื่อมต่อกับตัวเปลี่ยนซีดี JVC ซึ่งมีคุณสมบัติการอ่านข้อมูลจาก CD Text และ/หรือแผ่น MP3

เลือกโหมดแสดงข้อความขณะกำลังเล่น CD Text หรือดิสก์ MP3

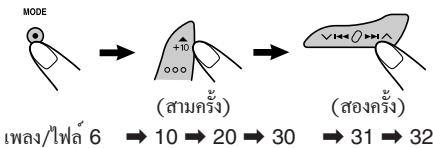
DISP



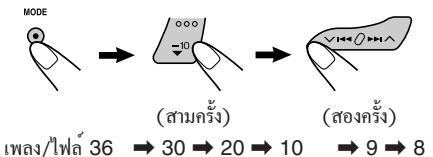
- ดูรายละเอียดที่หน้า 15 เกี่ยวกับข้อมูลดิสก์ CD Text และหน้า 17 เกี่ยวกับข้อมูลดิสก์ MP3

วิธีการใช้ปุ่ม +10 และ -10

- ตัวอย่าง 1: เมื่อต้องการเลือกเพลง/ไฟล์ที่ 32 ขณะกำลังเล่นเพลง/ไฟล์ที่ 6



- ตัวอย่าง 2: เมื่อต้องการเลือกเพลง/ไฟล์ที่ 8 ขณะกำลังเล่นเพลง/ไฟล์ที่ 36



การเลือกโหมดเล่นซีดี

การเล่นเพลง/ไฟล์โดยการสุ่ม (เล่นแบบสุ่มเลือกโฟลเดอร์/สุ่มเลือกดิสก์/สุ่มเลือกแม็กกาซีน)

MODE



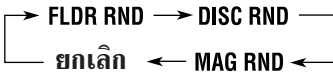
1 กดปุ่ม MODE เพื่อเข้าสู่โหมดการทำงานขณะเล่น ไฟล์สัญญาณ

12 RND

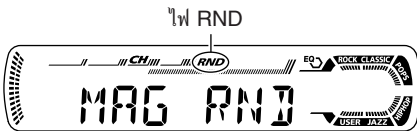


2 กดปุ่ม RND (สุ่ม) ขณะที่ไฟล์สัญญาณ "MODE" ยังคงกะพริบบนหน้าจอ เมื่อกดปุ่มแต่ละครั้ง โหมดการเล่นแบบสุ่มจะเปลี่ยนไปดังต่อไปนี้:

สำหรับดิสก์ MP3:



สำหรับซีดี:



ตัวอย่าง: เมื่อคุณเลือก "MAG RND"

การเล่นเพลง/ไฟล์เดิมซ้ำ (การเล่นซ้ำเพลง/เล่นซ้ำโฟลเดอร์/เล่นดิสก์ซ้ำ)

MODE



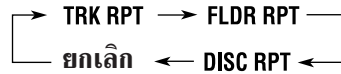
1 กดปุ่ม MODE เพื่อเข้าสู่โหมดการทำงานขณะเล่น ไฟล์สัญญาณ

11 RPT



2 กดปุ่ม RPT (ซ้ำ) ขณะที่ไฟล์สัญญาณ "MODE" ยังคงกะพริบบนหน้าจอ ทุกครั้งที่กดปุ่มนี้ โหมดเล่นสุ่มเพลงจะเปลี่ยนไปดังนี้:

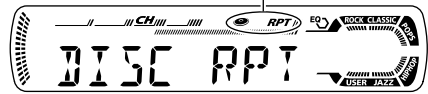
สำหรับดิสก์ MP3 :



สำหรับซีดี:



ไฟล์สัญญาณ  (แผ่น) และ RPT



ตัวอย่าง: เมื่อคุณเลือก "DISC RPT"

หมายเหตุ:

ไฟล์สัญญาณ MP3 จะสว่างขึ้นเช่นกันถ้าดิสก์ที่กำลังเล่นอยู่เป็นแผ่น MP3

หมายเหตุ:

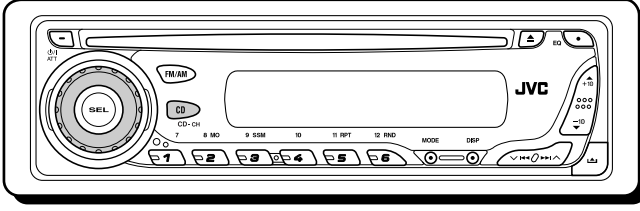
ไฟล์สัญญาณ MP3 จะสว่างขึ้นเช่นกันถ้าดิสก์ที่กำลังเล่นอยู่เป็นแผ่น MP3

โหมด	สัญญาณที่สว่างขึ้น	ไฟล์ที่เล่นแบบสุ่ม
FLDR RND*	ไฟล์สัญญาณ RND และ  จะสว่างขึ้น	ไฟล์ทั้งหมดของโฟลเดอร์ปัจจุบัน จากนั้นจะเป็นไฟล์ของโฟลเดอร์ถัดไป และเป็นเช่นนี้ไปเรื่อยๆ
DISC RND	ไฟล์สัญญาณ RND และ  จะสว่างขึ้น	ทุกเพลง/ไฟล์ของดิสก์ที่เล่นอยู่ (หรือดิสก์ที่ระบุ)
MAG RND	ไฟ RND จะสว่างขึ้น	ทุกเพลง/ไฟล์ของดิสก์ที่ใส่ทั้งหมด

โหมด	สัญญาณที่สว่างขึ้น	ไฟล์ที่เล่นซ้ำ
TRK RPT	ไฟ RPT จะสว่างขึ้น	เพลง/ไฟล์ที่กำลังเล่นอยู่ (หรือดิสก์ที่ระบุ)
FLDR RPT*	ไฟล์สัญญาณ  และ RPT จะสว่างขึ้น	ไฟล์ทั้งหมดของโฟลเดอร์ปัจจุบัน (หรือโฟลเดอร์ที่ต้องการ) ของแผ่นดิสก์ที่เล่นอยู่
DISC RPT	ไฟล์สัญญาณ  และ RPT จะสว่างขึ้น	ทุกเพลง/ไฟล์ของดิสก์ที่เล่นอยู่ (หรือดิสก์ที่ระบุ)

* "FLDR RPT" ใช้งานได้กับดิสก์ MP3 เท่านั้น

* "FLDR RND" ใช้งานได้กับดิสก์ MP3 เท่านั้น



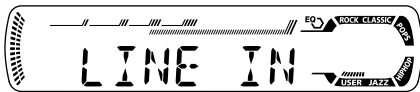
ใช้อุปกรณ์อื่นกับเครื่อง

คุณสามารถต่ออุปกรณ์ภายนอกเข้ากับช่องเสียบของตัวเปลี่ยนซีดีที่อยู่ด้านหลังโดยใช้สายของอะแดปเตอร์ รุ่น KS-U57 (ไม่รวมอยู่ในชุดอุปกรณ์นี้)

การเตรียมการ:

- หากต้องการต่อสายของอะแดปเตอร์ รุ่น KS-U57 และอุปกรณ์ภายนอกเข้ากับตัวเครื่อง โปรดดูคู่มือการติดตั้งและคู่มือการติดตั้ง (คนละเล่ม)
- ก่อนใช้งานอุปกรณ์ภายนอกตามขั้นตอนข้างล่างนี้ ให้ต่ออุปกรณ์นั้นเข้ากับเครื่องให้ถูกต้อง ดู “วิธีตั้งโหมดใช้อุปกรณ์อื่นกับเครื่อง—EXT IN” หน้า 23

1 เลือกอุปกรณ์ภายนอก (LINE IN)



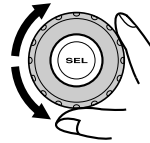
- หาก “LINE IN” ไม่ปรากฏบนจอภาพ โปรดดูหน้า 23 แล้วเลือกการส่งสัญญาณเขาจากอุปกรณ์อื่น (“LINE IN”)

หมายเหตุการใช้งานโดยกลุ่มเคียว:

เวลากด CD CD-CH เครื่องจะเปิดทำงานเองโดยอัตโนมัติ จึงไม่จำเป็นต้องกดปุ่ม P/I ATT เพื่อเปิดให้เครื่องทำงาน

2 เปิดอุปกรณ์ที่ต่อเข้ากับเครื่อง แล้วเริ่มเล่นรายการต่างๆ ตามที่ต้องการ

3 ปรับระดับเสียง



4 ปรับแต่งเสียงตามต้องการ (กรุณาดูหน้า 20 – 21)



การเล่นแผ่น CD-R หรือ CD-RW

- ใช้เฉพาะแผ่น CD-R หรือ CD-RW ที่ผ่านการ “finalized” แล้วเท่านั้น
 - เครื่องนี้สามารถเล่นได้เฉพาะ ไฟล์ที่มีรูปแบบเดียวกับที่ตรวจพบครั้งแรกเท่านั้น หากในแผ่นมีทั้งไฟล์ audio CD (CD-DA) และไฟล์ MP3
 - เครื่องนี้สามารถเล่นแผ่นดิสก์มัลติเซสชันได้ แต่ช่วงที่เปิดอยู่จะถูกข้ามไปขณะเล่น
 - CD-R หรือ CD-RW บางแผ่นอาจไม่สามารถเล่นกับเครื่องนี้ได้ เนื่องจากคุณลักษณะของแผ่น และสาเหตุดังต่อไปนี้:
 - แผ่นดิสก์สกปรก หรือมีรอยขีดข่วน
 - มีไอ้แกะที่เลนส์ด้านในเครื่อง
 - เลนส์หัวอ่านในเครื่องสกปรก
 - แผ่น CD-R/CD-RW มีไฟล์ที่เขียนด้วยวิธี “Packet Write”
 - สภาพการบันทึก (ข้อมูลหาย ฯลฯ) หรือสภาพสื่อ (มีรอยขีดข่วน รอยขีดข่วน บิดงอ ฯลฯ) ไม่ดี
 - แผ่น CD-RW อาจต้องใช้เวลาอ่านนานขึ้น เนื่องจากแผ่น CD-RW มีอัตราการสะท้อนแสงต่ำกว่าแผ่น CD ปกติ
 - อย่าใช้แผ่น CD-R หรือ CD-RW ต่อไปนี้:
 - แผ่นดิสก์ที่ติดสติ๊กเกอร์ ฉลาก หรือปิดผนึกป้องกันไว้ที่ด้านหน้า
 - แผ่นดิสก์ที่สามารถพิมพ์แผ่นป้ายด้วยเครื่องพริ้นเตอร์อิงค์เจ็ทได้โดยตรง
- การใช้แผ่นดิสก์เหล่านี้ ในสภาพอากาศ ที่มีอุณหภูมิหรือความชื้นสูง อาจทำให้เครื่องใช้งานไม่ได้หรือแผ่นเสียได้

การเล่นแผ่น MP3

- เครื่องนี้สามารถเล่นไฟล์ MP3 ที่มีนามสกุล <.mp3> ได้ (ไม่ว่าจะเป็นตัวอักษรใหญ่หรือเล็ก)
- เครื่องนี้สามารถแสดงชื่ออัลบั้ม ศิลปิน (นักแสดง) และ ID3 Tag (เวอร์ชัน 1.0, 1.1, 2.2, 2.3, หรือ 2.4) สำหรับไฟล์ MP3 ได้
- เครื่องนี้สามารถแสดงได้เฉพาะอักขระชนิดหนึ่งไปท์ อักขระชนิดอื่นอาจแสดง บนหน้าจอไม่ถูกต้อง
- เครื่องนี้สามารถเล่นไฟล์ MP3 ที่มีลักษณะตรงตามเงื่อนไขด้านล่างนี้ได้:
 - บิตเรท: 8 kbps — 320 kbps
 - ความถี่การซัดตัวอย่าง: 48 kHz, 44.1 kHz, 32 kHz (สำหรับ MPEG-1) 24 kHz, 22.05 kHz, 16 kHz (สำหรับ MPEG-2)
 - รูปแบบของแผ่นดิสก์: ISO 9660 ระดับ 1/ระดับ 2, Romeo, Joliet, ชื่อไฟล์ยาวตาม Windows
- จำนวนอักขระสูงสุดสำหรับชื่อไฟล์/โฟลเดอร์ อาจแตกต่างกัน ขึ้นอยู่กับรูปแบบของแผ่นดิสก์ที่ใช้ (รวมอักขระต่อท้าย 4 ตัว <.mp3>)
 - ISO 9660 ระดับ 1: สูงถึง 12 ตัวอักษร
 - ISO 9660 ระดับ 2: สูงถึง 31 ตัวอักษร
 - Romeo*: สูงถึง 128 (72) ตัวอักษร
 - Joliet*: สูงถึง 64 (36) ตัวอักษร
 - ชื่อไฟล์ยาวตาม Windows*: สูงถึง 128 (72) ตัวอักษร
- * ตัวเลขในวงเล็บ คือจำนวนอักขระสูงสุด สำหรับชื่อไฟล์/โฟลเดอร์ ในกรณีที่ไฟล์และโฟลเดอร์มีจำนวนรวมกันตั้งแต่ 313 ขึ้นไป
- เครื่องนี้สามารถรองรับได้ทั้งหมด 512 ไฟล์ 200 โฟลเดอร์ และ 8 ลำดับชั้น
- เครื่องนี้สามารถเล่นไฟล์ ที่บันทึกอยู่ในรูปแบบของ VBR (variable bit rate) ได้ ไฟล์ที่บันทึกในรูปแบบของ VBR จะมีความคลาดเคลื่อน ในการแสดงเวลาเล่นที่ผ่านไป และ ไม่แสดงเวลาจริงที่เล่นผ่านไป โดยเฉพาะหลังจากไขพังกั้นค้นหาแล้ว จะเห็นข้อแตกต่างนี้โดยอัตโนมัติ
- เครื่องนี้ไม่สามารถเล่นไฟล์ต่อไปนี้ได้:
 - ไฟล์ MP3 ที่ใส่รหัสในรูปแบบของ MP3i และ MP3 PRO
 - ไฟล์ MP3 ที่ใส่รหัสในรูปแบบที่ยังไม่ได้จัดสรร
 - ไฟล์ MP3 ที่ใส่รหัสด้วย Layer 1/2
 - ไฟล์ที่มีข้อมูล เช่น WMA, WAVE, ATRAC3 ฯลฯ
- ฟังก์ชันค้นหาสามารถใช้งานได้ แต่ความเร็วในการค้นหาจะไม่คงที่

สิ่งที่ดูเหมือนเป็นปัญหาอาจไม่ร้ายแรงเสมอไป กรุณาตรวจสอบตามจุดต่างๆ ต่อไปนี้ก่อนที่จะโทรหาศูนย์บริการ

	อาการ	สาเหตุ	วิธีแก้
ทีวี	<ul style="list-style-type: none"> เสียงไม่ออกจากลำโพง 	ตั้งความดังของเสียงที่ระดับต่ำสุด	ปรับให้อยู่ในระดับที่เหมาะสม
		การเชื่อมต่อไม่ถูกต้อง	ตรวจสอบสายไฟและการเชื่อมต่อ
	<ul style="list-style-type: none"> ตัวเครื่องไม่ทำงาน 	ไมโครคอมพิวเตอร์ที่อยู่ในเครื่องอาจทำงานผิดพลาดเพราะเสียงรบกวน ฯลฯ	ขณะกดปุ่ม SEL (เลือก) ค้างไว้ ให้กดปุ่ม ⏻ / I ATT (สแตนด์บาย/เปิดเครื่อง เบาเสียงลง) นาน 2 วินาที เพื่อรีเซ็ตเครื่อง (กรณีที่กดปุ่มค้างไว้จะถูกลบไปด้วย) (ดูหน้า 2)
FM/AM	<ul style="list-style-type: none"> การตั้งค่าล่วงหน้าของระบบ SSM (จดจำสถานีเรียงตามลำดับความแรงของสัญญาณ) อัตโนมัติไม่ทำงาน 	สัญญาณอ่อนเกินไป	บันทึกสถานีด้วยตัวเอง
	<ul style="list-style-type: none"> มีคลื่นแทรกขณะฟังรายการวิทยุ 	ต่อเสาอากาศไม่ดี	ต่อเสาอากาศให้แน่น
แผ่นซีดี	<ul style="list-style-type: none"> แผ่นดิสก์ไม่สามารถเปิดได้ 	ท่านใส่แผ่นดิสก์กลับด้าน	ใส่แผ่นดิสก์ลงในช่องให้ถูกต้อง
	<ul style="list-style-type: none"> ไม่สามารถเล่น CD-R/CD-RW ได้ ไม่สามารถข้ามเพลงบน CD-R/CD-RW 	CD-R/CD-RW ยังไม่เสร็จสมบูรณ์	<ul style="list-style-type: none"> ใช้แผ่น CD-R/CD-RW ที่เสร็จสมบูรณ์แล้ว ทำให้ CD-R/CD-RW เสร็จสมบูรณ์ด้วยอุปกรณ์ที่ใช้ในการบันทึก
	<ul style="list-style-type: none"> แผ่นดิสก์ไม่สามารถนำออกจากเครื่องได้ 	ดิสก์ถูกล็อกเอาไว้	ปลดการล็อกแผ่นดิสก์ (ดูหน้า 15)
		เครื่องเล่นดิสก์อาจทำงานผิดปกติ	ขณะกดปุ่ม ⏻ / I ATT (สแตนด์บาย/เปิดเครื่อง เบาเสียงลง) ค้างไว้ ให้กดปุ่ม ⏻ (ดีดเพาออกจากเครื่อง) นาน 2 วินาที ระวังอย่าทำแผ่นดิสก์หล่นตอนที่แผ่นดีดออกมา
	<ul style="list-style-type: none"> เสียงจากดิสก์ขาดๆ หายๆ เป็นบางครั้ง 	ท่านกำลังขับรถยนต์บนที่ขรุขระ แผ่นดิสก์มีรอยขีดข่วน	หยุดเล่นดิสก์ขณะขับรถยนต์บนที่ขรุขระ
		แผ่นดิสก์มีรอยขีดข่วน	ใช้ดิสก์แผ่นอื่น
		การเชื่อมต่อไม่ถูกต้อง	ตรวจสอบสายไฟและวิธีการเชื่อมต่อสายไฟ
	<ul style="list-style-type: none"> "NO DISC" ปรากฏบนจอภาพ 	ไม่มีแผ่นดิสก์อยู่ในช่องใส่	การใส่แผ่นดิสก์ลงในช่องใส่
		ท่านใส่แผ่นดิสก์ไม่ถูกต้อง	ใส่แผ่นดิสก์ให้ถูกต้อง





อาการ	สาเหตุ	วิธีแก้
• เล่นแผ่นดิสก์ไม่ได้	ไม่มีไฟล์ MP3 บนที่ก๊อปปี้บนดิสก์นี้	เปลี่ยนดิสก์
	ไฟล์ MP3 ไม่มีชื่อสกุล <.mp3> อยู่ในชื่อไฟล์	เติมชื่อสกุล <.mp3> เขาดอนทายของชื่อ ไฟล์
	ไฟล์ MP3 ที่ไม่ได้บันทึกในรูปแบบที่สามารถเล่นกับ ISO 9660 Level 1, Level 2, Romeo, หรือ Joliet ได้	เปลี่ยนแผ่นดิสก์ (บันทึกไฟล์ MP3 ไรท์เป็นไปตามมาตรฐานที่กำหนดไว้)
• มีเสียงรบกวน	ไฟล์ที่เล่นไม่ใช่ไฟล์ MP3 (ถึงแม้จะมีชื่อสกุล <.mp3> อยู่ก็ตาม)	ข้ามไปอีกไฟล์หนึ่ง หรือเปลี่ยนแผ่นดิสก์ใหม่ (อย่าเติมชื่อสกุล <.mp3> เข้ากับไฟล์ ที่ไม่ใช่ไฟล์ MP3)
• เครื่องใช้เวลาแสดงข้อมูลหรือภาพบนจอภาพนานขึ้น (มีคำ "CHECK" กระพริบบนจอภาพ)	เวลาในการอ่านจะต่างกันไป ขึ้นอยู่กับความซับซ้อนของกาคอนฟิกเคอเรชั่นของโพลเดอร์/ไฟล์	ห้ามใช้ลำดับชั้นและโพลเดอร์มากเกินไป นอกจากนี้ ห้ามบันทึกเพลงประเภทอื่นๆ ร่วมกับไฟล์ MP3
• ไม่สามารถสั่งเล่นไฟล์ตามที่ต้องการได้	ลำดับของการเล่นจะถูกกำหนดขึ้นขณะบันทึกไฟล์	_____
• แสดงผลเวลาที่เล่นเพลงไปแล้วอย่าง ไม่ถูกต้อง	ปัญหานี้อาจเกิดขึ้นเป็นบางครั้งขณะที่เล่น สาเหตุมาจากวิธีการบันทึกไฟล์ลดดิสก์	_____
• ไฟ  จะกระพริบบนหน้าจอ	โพลเดอร์ปัจจุบันไม่มีไฟล์ MP3	เลือกโพลเดอร์อื่น
• "NO FILES" ปรากฏบนจอภาพ	ไม่มีไฟล์ MP3 อยู่ในดิสก์เลย	ใส่ดิสก์ที่มีไฟล์ MP3 เข้าไป
• จอภาพอาจแสดงตัวอักษรที่ผิดปกติ (เช่น ชื่ออัลบั้ม)	เครื่องนี้สามารถแสดงตัวอักษร (ตัวใหญ่: A-Z) ตัวเลข และสัญลักษณ์บางตัวได้	_____



อาการ	สาเหตุ	วิธีแก้
• “NO DISC” ปรากฏบนจอภาพ	ไม่มีดิสก์อยู่ในช่องใส่ดิสก์	ใส่ดิสก์ลงในช่องใส่ดิสก์
	ใส่ดิสก์กลับด้าน	ใส่ดิสก์ให้ถูกต้อง
• “NO MAG” ปรากฏบนจอภาพ	ไม่มีช่องใส่ดิสก์อยู่ในตัวเปลี่ยนซีดี	โปรคใส่ช่องใส่ดิสก์
• “RESET 8” ปรากฏบนจอภาพ	เครื่องนี้ต่อเข้ากับตัวเปลี่ยนซีดีอย่างไม่ถูกต้อง	ต่อเครื่องนี้เข้ากับตัวเปลี่ยนซีดีให้ถูกต้อง แล้วกดปุ่มตั้งโปรแกรมใหม่บนตัวเปลี่ยนซีดี
• “RESET 1” ถึง “RESET 7” ปรากฏบนจอภาพ	_____	กดปุ่มตั้งโปรแกรมใหม่ของตัวเปลี่ยนซีดี
• ตัวเปลี่ยนซีดีไม่ทำงาน	ไมโครคอมพิวเตอร์ที่อยู่ในเครื่องอาจทำงานผิดพลาดเพราะเสียงรบกวน ฯลฯ	ขณะกดปุ่ม SEL (เลือก) ถ้างั้วให้กดปุ่ม ⏻/ATT (สแตนด์บาย/เปิดเครื่องเบาเสียงลง) นาน 2 วินาที เพื่อรีเซ็ตเครื่อง (ถ้าที่คุคปคัคตั้งไว้จะถูกลคไปควย) (ดูหนา 2)

เครื่องเล่นซีดี



ไทย

การเล่นผิดเพลง:

การเล่นผิดเพลงอาจเกิดขึ้นได้ เมื่อถ่วงบนถนนซึ่งขรุขระมาก การเล่นผิดเช่นนี้จะไม่ทำให้ผลิตภัณฑ์และแผ่นซีดีเสียหาย แต่อาจจะทำให้รู้สึกเสียบางส่วนเท่านั้น

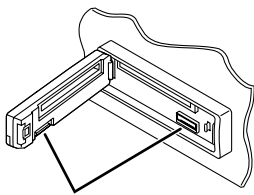
จึงแนะนำให้หยุดเล่นซีดีขณะขับรถบนถนนขรุขระ



การดูแลรักษา

วิธีทำความสะอาดเบื้องต้น

การถอดเข้าออกบ่อยๆ จะทำให้หัวต่อเสื่อมสภาพ การดูแลให้เสื่อมสภาพน้อยที่สุด ควรใช้ผารวมตาหรือผ้าฝ้ายชุบแอลกอฮอล์ เช็ดทำความสะอาดเป็นครั้งคราว แต่ต้องระวังอย่าทำให้หัวต่อเสียหาย



หัวต่อ

ความชื้นอาจรวมตัวกันเป็นไอน้ำ

เกาะอยู่บนเลนส์ด้านในเครื่องเล่นซีดีได้ จากกรณีดังต่อไปนี้:

- หลีกจากเริ่มเปิดเครื่องทำความร้อนในรถ
- หากในรถมีความชื้นมาก

ในกรณีนี้ เครื่องเล่นซีดีอาจทำงานผิดพลาดได้ ให้กดปุ่มเพื่อตัดเอา แผ่นดิสก์ออกมา และเปิดเครื่องทิ้งไว้ประมาณสองสามชั่วโมง จนกระทั่งไอน้ำระเหยออกไปจนหมด

วิธีจับแผ่นซีดี

ในการนำแผ่นดิสก์ออกจากถาด

เมื่อใช้งานเสร็จแล้ว

ในการนำแผ่นดิสก์ออกจากถาด ให้กดตัวล็อกตรงกลางถาด แล้วดึงแผ่นออกมา โดยจับตรงขอบตัวล็อกตรงกลาง



- ทุกครั้งที่จับแผ่นดิสก์ ให้จับตรงขอบเท่านั้น

ในการเก็บแผ่นดิสก์ลงถาด

ก่อนจะสอดแผ่นลงครอบตัวล็อกตรงกลาง (หงายด้านที่พิมพ์ข้อความขึ้น)

- ควรเก็บแผ่นดิสก์ไว้ในถาดเสมอ

การทำความสะอาดแผ่นดิสก์

แผ่นดิสก์ที่สกปรกอาจทำให้การเล่นผิดเพี้ยนไป หากแผ่นดิสก์สกปรก ให้ใช้ผานุ่มเช็ดเป็นแนวตรง จากตรงกลางไปถึงขอบ



การเล่นแผ่นดิสก์ใหม่

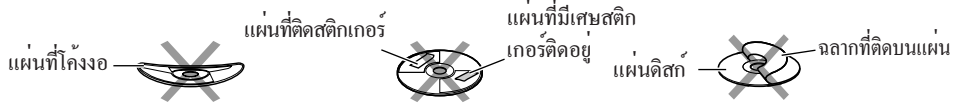
แผ่นดิสก์ใหม่อาจมีรอบขรุขระ บริเวณขอบใน และขอบนอก หากใส่แผ่นดิสก์ลักษณะดังกล่าว เครื่องอาจจะไม่ยอมรับแผ่น การลบรอยขรุขระอาจทำได้ โดยใช้วัสดุ เช่น ดินสอหรือปากกาลูกลื่น ขัดบริเวณขอบแผ่น



ข้อควรระวัง:

- อย่าใส่แผ่นดิสก์ต่อไปนี้ ลงในช่องใส่:
 - แผ่นดิสก์ขนาด 8 ซม (CD เดียว)
 - แผ่นที่มีรูปร่างแปลก เช่น รูปหัวใจ ดอกไม้ เป็นต้น

อย่าใช้แผ่นดิสก์ต่อไปนี้:



หมวดเครื่องขยายเสียง

กำลังขับสูงสุด:

ลำโพงหนา: 50 วัตต์ต่อช่อง

ลำโพงแหลม: 50 วัตต์ต่อช่อง

กำลังขับต่อเนื่อง (RMS):

ลำโพงหนา: 19 วัตต์ต่อช่อง โดยแบ่งเป็น
4 Ω มีความถี่ 40 Hz ถึง
20 000 Hz ในอัตราไม่เกิน 0.8%
ของความเพี้ยนเชิงฮาร์โมนิกส์

ลำโพงแหลม: 19 วัตต์ต่อช่อง โดยแบ่งเป็น
4 Ω มีความถี่ 40 Hz ถึง
20 000 Hz ในอัตราไม่เกิน 0.8%
ของความเพี้ยนเชิงฮาร์โมนิกส์

ความต้านทานต่อกระแสไฟฟ้าสลับ:

4 Ω (อยู่ในระหว่าง 4 Ω ถึง 8 Ω)

การควบคุมระดับโทนเสียง

ระดับความทุ้ม: ±10 dB ที่ความถี่ 100 Hz

ระดับความแหลม: ±10 dB ที่ความถี่ 10 kHz

การตอบสนองเชิงความถี่: 40 Hz ถึง 20 000 Hz

อัตราส่วนของสัญญาณต่อเสียงรบกวน: 70 dB

ระดับเสียงออก/อิมพีแดนซ์:

2.0 โวลต์ /20 kΩ โหลด (เต็มที)

อิมพีแดนซ์เอาท์พุท: 1 kΩ

เข้าวัตต์สัญญาณออก: เครื่องเล่น CD

หมวดเครื่องรับวิทยุ

ระดับความถี่

FM: 87.5 MHz ถึง 108.0 MHz

AM: 531 kHz ถึง 1 602 kHz

[เครื่องรับวิทยุแบบคลื่น FM]

ความไวใช้งาน: 11.3 dBf (1.0 μV/75 Ω)

50 dB ความไวต่อความถี่: 16.3 dBf (1.8 μV/75 Ω)

ความคมชัดการเปลี่ยนช่อง (400 kHz): 65 dB

การตอบสนองเชิงความถี่: 40 Hz ถึง 15 000 Hz

ระดับเสียงลำโพงแยก: 35 dB

อัตราส่วนการแปลงกระแสไฟฟ้า: 1.5 dB

[เครื่องรับวิทยุแบบคลื่น AM]

ความไว: 20 μV

ความคมชัด: 35 dB

หมวดเครื่องเล่นซีดี

ชนิดเครื่อง: เครื่องเล่นแผ่นซีดี

ระบบอ่านสัญญาณ: หัวเข็มอ่านด้วยแสงชนิดไม่สัมผัส
(เลเซอร์ชนิดเซมิคอนดักเตอร์)

จำนวนของสัญญาณ: 2 ช่อง (สเตอริโอ)

การตอบสนองความถี่: 5 Hz ถึง 20 000 Hz

พิสัยของการเปลี่ยนแปลง: 96 dB

อัตราสัญญาณต่อเสียงรบกวน: 98 dB

ความแปรปรวนและความสั้นสะเทือนของเสียง:
น้อยกว่าปริมาณที่สามารถวัดได้

รูปแบบการถอดรหัส MP3:

MPEG 1/2 Audio Layer 3

บิตเรตสูงสุด: 320 Kbps

หมวดทั่วไป

กำลังไฟฟ้าที่ใช้

แรงดันปฏิบัติการ:

โซ่ไฟฟ้ากระแสตรง 14.4 โวลต์

(โดยอยู่ระหว่าง 11 โวลต์ ถึง 16 โวลต์ ได้)

ระบบสายดิน: พื้นดินเป็นขั้วลบ

อุณหภูมิที่ปลอดภัยในการใช้งาน:

0°C ถึง +40°C

ขนาด (กว้าง x สูง x ลึก):

ขนาดติดตั้ง (โดยประมาณ):

182 mm x 52 mm x 150 mm

ขนาดหน้าปัด (โดยประมาณ):

188 mm x 58 mm x 11 mm

น้ำหนัก (โดยประมาณ):

1.4 kg (ไม่รวมอุปกรณ์ประกอบอื่น)

รูปแบบและข้อมูลจำเพาะ อาจเปลี่ยนแปลงได้โดยไม่ต้องแจ้งให้ทราบ
ล่วงหน้า

หากมีปัญหาในการใช้งาน
กรุณาติดต่อผู้ตั้งค่าเริ่มต้นใหม่
กรุณาดูหน้าวิธีตั้งค่าเครื่องใหม่



JVC



EN, TH

© 2004 Victor Company of Japan, Limited

1004DTSMJTJEIN

JVC KD-G456

Installation/Connection Manual

การติดตั้ง/คู่มือการติดตั้ง

GET0291-002A
[UH]

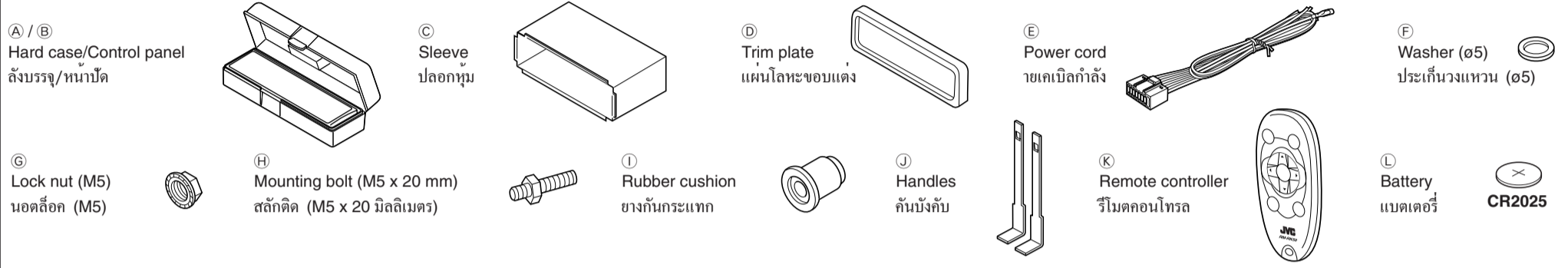
1004DTSMDTJEIN
EN, TH

ENGLISH

This unit is designed to operate on **12 V DC, NEGATIVE ground electrical systems**. If your vehicle does not have this system, a voltage inverter is required, which can be purchased at JVC car audio dealers.

Parts list for installation and connection

The following parts are provided for this unit.
After checking them, please set them correctly.



ไทย

ชุดอุปกรณ์นี้ได้รับการออกแบบมาเพื่อใช้งานกับระบบ กระแสไฟฟ้าดินขั้วลบกระแตรง 12 โวลต์ หากรถยนต์ของคุณไม่ใช้ระบบนี้ ต้องใช้เครื่องแปลงกระแสไฟช่วย ซึ่งสามารถหาซื้อได้จากร้านขายเครื่องเสียงรถยนต์ JVC

รายการส่วนประกอบสำหรับติดตั้งและเชื่อมต่อ

ส่วนประกอบต่อไปนี้มาพร้อมกับชุดประกอบนี้ หลังจากตรวจสอบแล้ว ปรับตั้งเครื่องให้ถูกต้อง

INSTALLATION (IN-DASH MOUNTING)

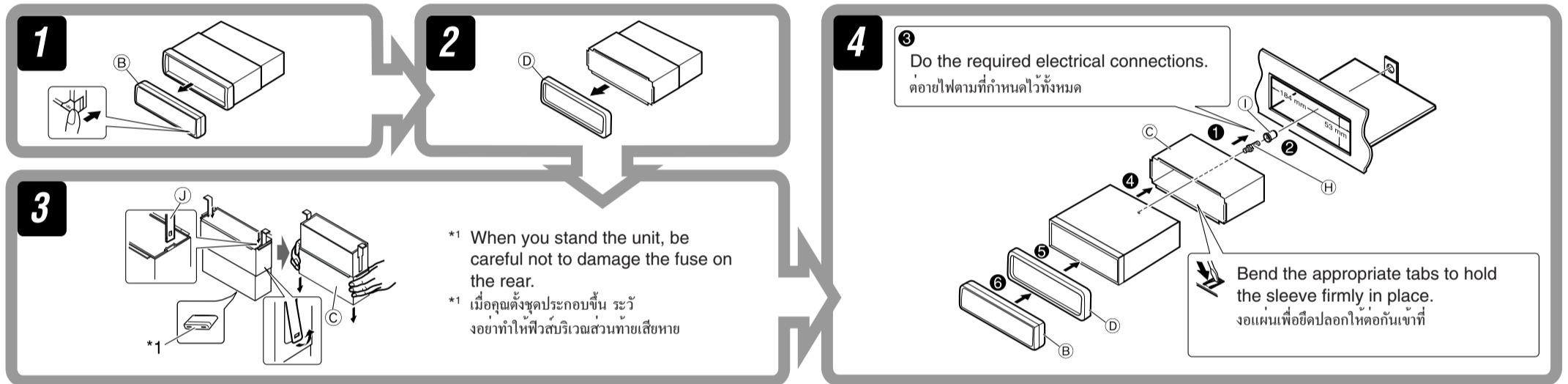
The following illustration shows a typical installation. If you have any questions or require information regarding installation kits, consult your JVC car audio dealer or a company supplying kits.

• If you are not sure how to install this unit correctly, have it installed by a qualified technician.

การติดตั้ง (การประกอบแผงหน้าปัด)

ภาพตัวอย่างต่อไปนี้แสดงถึงการติดตั้งแบบทั่วไป หากคุณมีปัญหาหรือต้องการข้อมูลเพิ่มเติมเกี่ยวกับชุดติดตั้ง กรุณาปรึกษากับผู้ขายเครื่องเสียงรถยนต์ JVC ของท่านหรือบริษัท

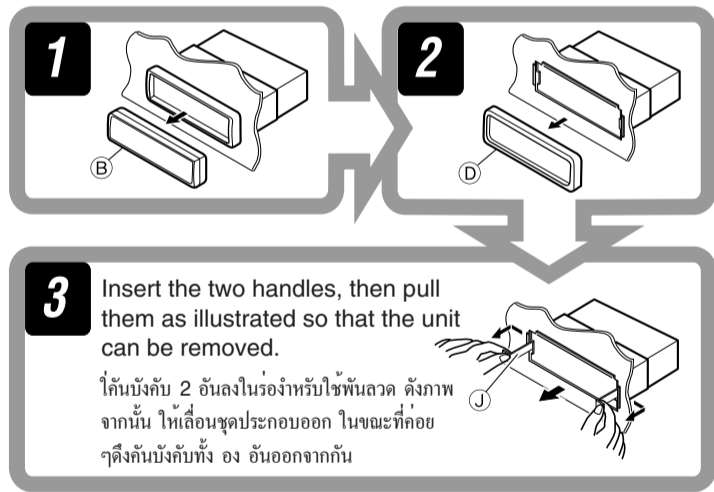
• ชุดประกอบ ถ้าคุณไม่แน่ใจว่าติดตั้งชุดประกอบนี้ถูกต้องหรือไม่ ให้หาช่างผู้เชี่ยวชาญเป็นผู้ติดตั้ง



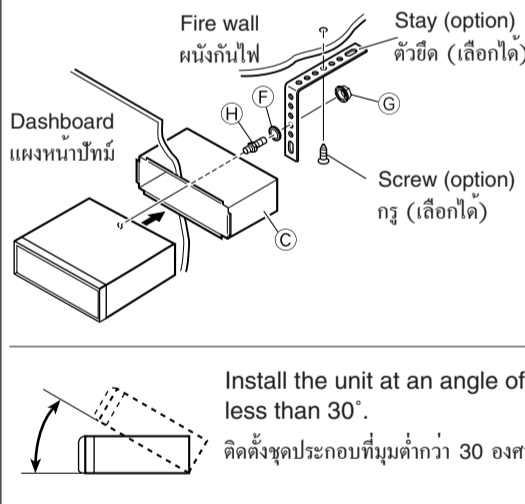
Removing the unit / การถอดชุดประกอบ

Before removing the unit, release the rear section.

ก่อนจะถอดชุดประกอบ ให้ปลดหน้าปัดด้านท้ายก่อน



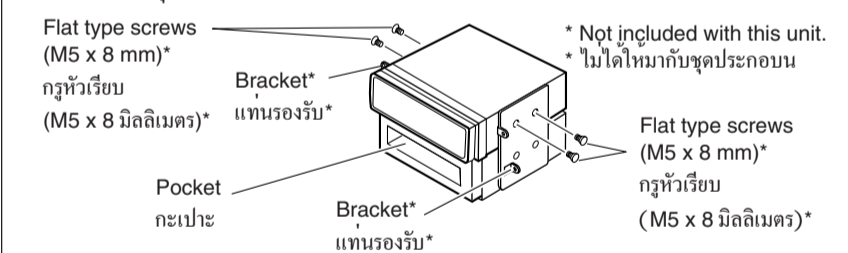
When using the optional stay / เมื่อใช้ตัวยึดแบบเลือกได้



When installing the unit without using the sleeve / เมื่อติดตั้งชุดประกอบโดยไม่ใช้ปลอกหุ้ม

First remove the car radio and install the unit in its place.

ก่อนอื่นขอให้ถอดชุดเครื่องเสียงรถยนต์ออก แล้วติดตั้งเครื่องเข้าที่



Note : When installing the unit on the mounting bracket, make sure to use the 8 mm-long screws. If longer screws are used, they could damage the unit.

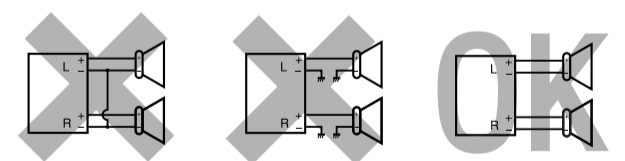
หมายเหตุ : เมื่อติดตั้งชุดประกอบลงในแท่นรองรับไว้ ให้ใช้กรูยาวขนาด 8 มิลลิเมตร ถ้าใช้กรูยาวกว่านี้อาจทำให้ชุดประกอบเสียหายได้

PRECAUTIONS on power supply and speaker connections:

- **DO NOT** connect the speaker leads of the power cord to the car battery; otherwise, the unit will be seriously damaged.
- **BEFORE** connecting the speaker leads of the power cord to the speakers, check the speaker wiring in your car.

ข้อควรระวังสำหรับการต่อแหล่งจ่ายกำลังและลำโพง:

- อย่าต่อสายตะกั่วเคเบิลกำลังของลำโพงเข้ากับแบตเตอรี่รถยนต์ มิฉะนั้น ชุดประกอบจะได้รับความเสียหายมาก
- ก่อนที่จะต่อสายตะกั่วเคเบิลกำลังของลำโพงเข้ากับลำโพง ให้ตรวจสอบการเดินสายไฟลำโพงในรถของคุณให้เรียบร้อยเสียก่อน



TROUBLESHOOTING

- **The fuse blows.**
* Are the red and black leads connected correctly?
- **Power cannot be turned on.**
* Is the yellow lead connected?
- **No sound from the speakers.**
* Is the speaker output lead short-circuited?
- **Sound is distorted.**
* Is the speaker output lead grounded?
* Are the “-” terminals of L and R speakers grounded in common?
- **Noise interfere with sounds.**
* Is the rear ground terminal connected to the car’s chassis using shorter and thicker cords?
- **Unit becomes hot.**
* Is the speaker output lead grounded?
* Are the “-” terminals of L and R speakers grounded in common?
- **This unit does not work at all.**
* Have you reset your unit?

การตรวจสอบปัญหาขัดข้อง

- **ฟิวส์ขาด**
* มีการเชื่อมสายตะกั่วสีดำและสีแดงอย่างถูกต้องหรือไม่
- **ไม่สามารถเปิดเครื่องได้**
* มีการเชื่อมสายตะกั่วสีเหลืองหรือไม่
- **ไม่มีเสียงออกจากลำโพง**
* สายตะกั่วส่วนที่ออกจากลำโพงเกิดไฟฟ้าลัดวงจรหรือไม่
- **เสียงเพี้ยน**
* สายตะกั่วส่วนที่ออกจากลำโพงต่อลงดินหรือไม่
* สายขั้วลบ “-” ของลำโพงด้านซ้ายและขวาต่อลงดินตามปกติหรือไม่
- **เสียงรบกวน**
* มีการใช้สายสั้นๆ หรือหนาๆ ต่อจากเครื่องส่วนที่ติดตั้ง ไว้บนพื้นด้านหลังกับตัวถังรถยนต์หรือไม่
- **ชุดประกอบร้อนขึ้น**
* สายตะกั่วส่วนที่ออกจากลำโพงต่อลงดินหรือไม่
* สายขั้วลบ “-” ของลำโพงด้านซ้ายและขวาต่อลงดินตามปกติหรือไม่
- **เครื่องไม่ทำงานเลย**
* ท่านได้ตั้งเครื่องใหม่หรือยัง

ELECTRICAL CONNECTIONS

To prevent short circuits, we recommend that you disconnect the battery's negative terminal and make all electrical connections before installing the unit.

• **Be sure to ground this unit to the car's chassis again after installation.**

Notes:

- Replace the fuse with one of the specified rating. If the fuse blows frequently, consult your JVC car audio dealer.
- It is recommended to connect to the speakers with maximum power of more than 50 W (both at the rear and at the front, with an impedance of **4 Ω to 8 Ω**). If the maximum power is less than 50 W, change "AMP GAIN" setting to prevent the speakers from being damaged (see page 23 of the INSTRUCTIONS).
- To prevent short-circuit, cover the terminals of the UNUSED leads with insulating tape.
- The heat sink becomes very hot after use. Be careful not to touch it when removing this unit.



การเชื่อมโดยใช้ไฟฟ้า

เพื่อป้องกันการเกิดไฟฟ้าลัดวงจร ขอแนะนำให้ปลดขั้วแบตเตอรี่ลบออก แล้วจึงต่อสายไฟก่อนติดตั้งเครื่อง

• **ตรวจสอบให้แน่ใจว่าได้เดินสายดินต่อระหว่างเครื่องกับตัวถัง รถยนต์ใหม่แล้วหลังจากติดตั้ง**

หมายเหตุ:

- ใช้ฟิวส์ที่จำเพาะแทนฟิวส์ หากฟิวส์ขาดบ่อย ให้ปรึกษาร้านขายเครื่องเสียงรถยนต์ JVC
- ขอแนะนำให้ต่อลำโพง ที่มีกำลังขั้วสูงสุดเกินกว่า 50 W (ทั้งด้านหน้าและด้านหลัง มีค่าความต้านทาน **4 Ω ถึง 8 Ω**) ถ้ากำลังขั้วต่ำกว่า 50 W ให้เปลี่ยนค่า "AMP GAIN" เพื่อป้องกันไม่ให้ลำโพงชำรุด (ดูหน้า 23 คำแนะนำ)
- การป้องกันการลัดวงจร จะต้องพันขั้วสายตะกั่ว ที่ไม่ใช่แล้วด้วยเทป พันสายไฟ
- แผ่นระบายความร้อนจะร้อนมากหลังจากใช้ ระวังอย่าไป สัมผัสเมื่อถอดชุดประกอบน

A Typical Connections / การเชื่อมต่อแบบปกติ

Before connecting: Check the wiring in the vehicle carefully. Incorrect connection may cause serious damage to this unit.

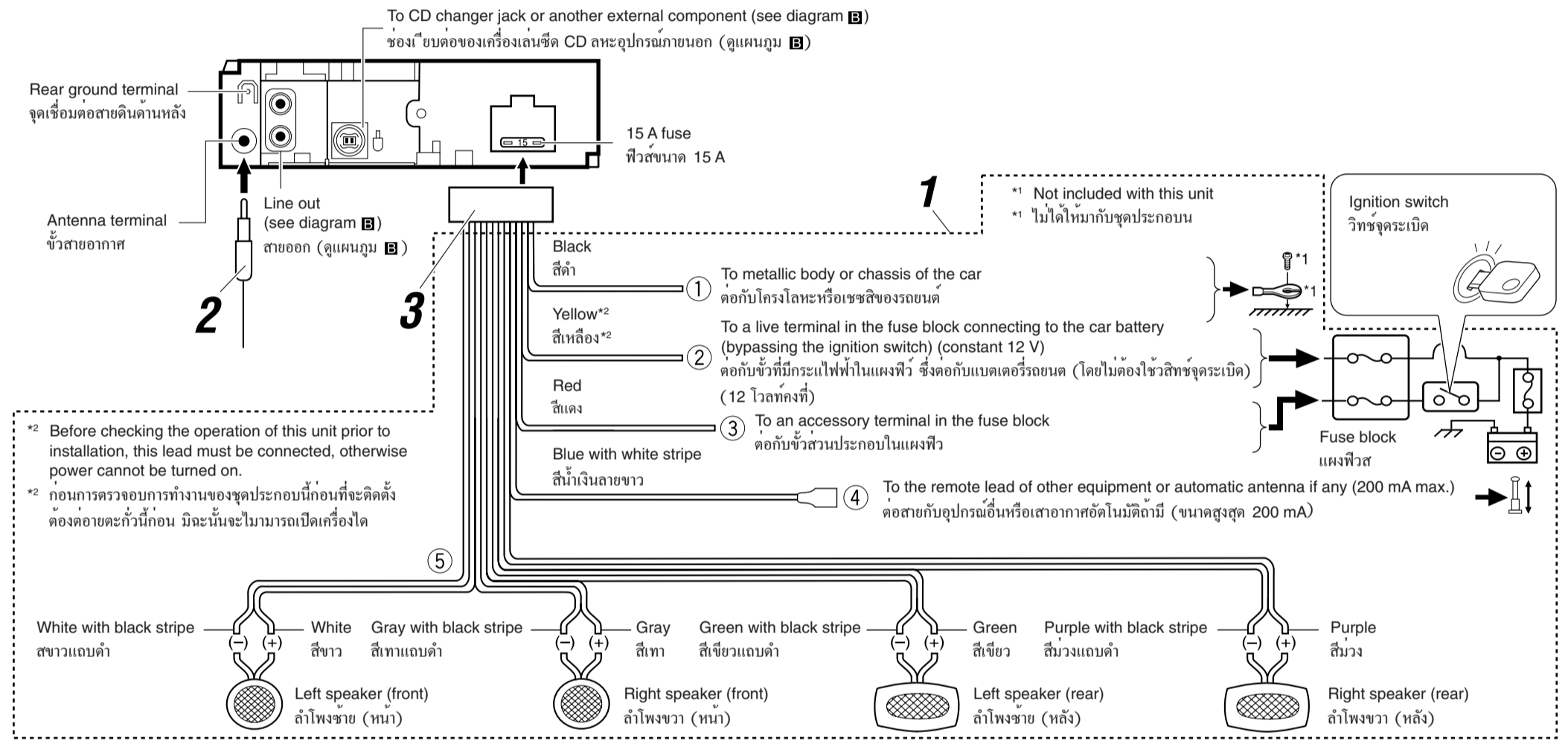
The leads of the power cord and those of the connector from the car body may be different in color.

- 1 Connect the colored leads of the power cord in the order specified in the illustration below.
- 2 Connect the antenna cord.
- 3 Finally connect the wiring harness to the unit.

ก่อนทำการเชื่อมต่อ: ตรวจสอบการเดินสายไฟในรถอย่างละเอียดก่อนเชื่อมต่อสายไฟเพื่อป้องกันความเสียหายร้ายแรงต่อชุดประกอบชุดนี้

สายไฟของชุดประกอบและสายไฟจากตัวรถอาจมีสีที่แตกต่าง

- 1 ต่อสายไฟตามลำดับที่ระบุในรูปด้านล่าง
- 2 เชื่อมต่อขั้วสายอากาศ
- 3 สุดท้าย ต่อส่วนควบคุมการเดินสายไฟเข้ากับชุดประกอบชุดนี้



B Connections Adding Other Equipment / การต่อเพิ่มเติมเข้ากับอุปกรณ์อื่น

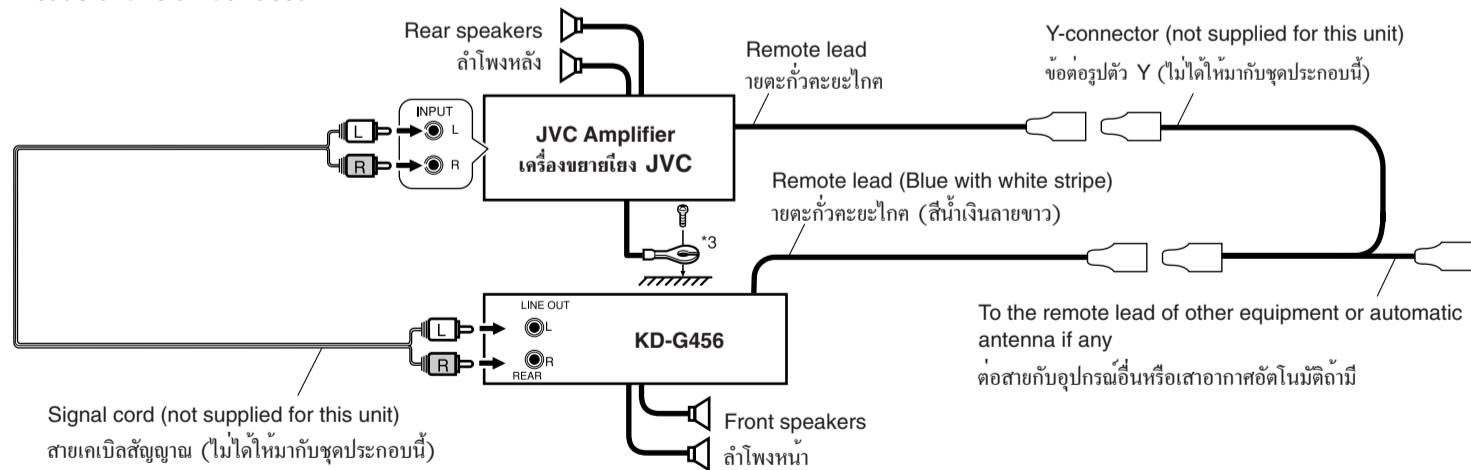
Amplifier / เครื่องขยาย

You can connect an amplifier and other equipment to upgrade your car stereo system.

- Connect the remote lead (blue with white stripe) to the remote lead of the other equipment so that it can be controlled through this unit.
- **Disconnect the speakers from this unit, connect them to the amplifier. Leave the speaker leads of this unit unused.**

คุณสามารถต่อกับแอมพลิฟายเออร์ และอุปกรณ์อื่น ๆ ได้ เพื่อเพิ่มคุณภาพเสียงให้กับระบบสเตอริโอของรถยนต์

- ต่อสายตะกั่วระยะไกล (สีน้ำเงินลายขาว) เข้ากับสายตะกั่วระยะไกลของอุปกรณ์อื่น ๆ เพื่อจะสามารถควบคุมโดยชุดประกอบนี้ได้
- **ถอดลำโพงออกจากชุดประกอบนี้ แล้วต่อเข้ากับเครื่องขยาย ทั้งสายตะกั่วลำโพงของชุดประกอบนี้ไว้**



*3 Firmly attach the ground wire to the metallic body or to the chassis of the car—to the place not coated with paint (if coated with paint, remove the paint before attaching the wire). Failure to do so may cause damage to the unit.

*3 ต่อสายดินให้แน่นเข้ากับตัวถังเหล็ก หรือตัวถังรถ—ตรงส่วนที่ไม่เคลือบสี (หากมีเคลือบสีอยู่ ให้ขูดสีออกก่อนก่อนต่อสายดิน) หากไม่ปฏิบัติตามคำแนะนำนี้ เครื่องอาจชำรุดหรือเสียหายได้

CD Changer / เครื่องเล่นซีดี CD

Refer also to page 25 of the INSTRUCTIONS.

ดูคำแนะนำในหน้า 25

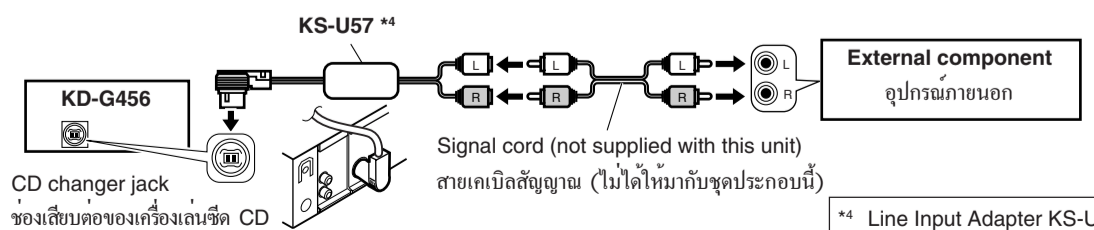
Connecting cord supplied for your CD changer (สายต่อใหม่พร้อมเครื่องเล่นซีดี)



CAUTION / ข้อควรระวัง

- Before connecting the CD changer, make sure that the unit is turned off.
- ก่อนจะเชื่อมต่อเครื่องเล่นซีดี กรุณาตรวจสอบให้แน่ใจว่าเครื่องเล่นซีดีนั้นปิดอยู่

External Component / อุปกรณ์ภายนอก



CD changer jack (ช่องเสียบตอของเครื่องเล่นซีดี)

Signal cord (not supplied with this unit) (สายเคเบิลสัญญาณ (ไม่ได้ให้มากับชุดประกอบนี้))

*4 Line Input Adapter KS-U57 (not supplied for this unit)

*4 อแดปเตอร์ ายสัญญาณเคเบิล KS-U57 (ไม่ได้ให้มากับชุดประกอบนี้)

JVC



ENGLISH

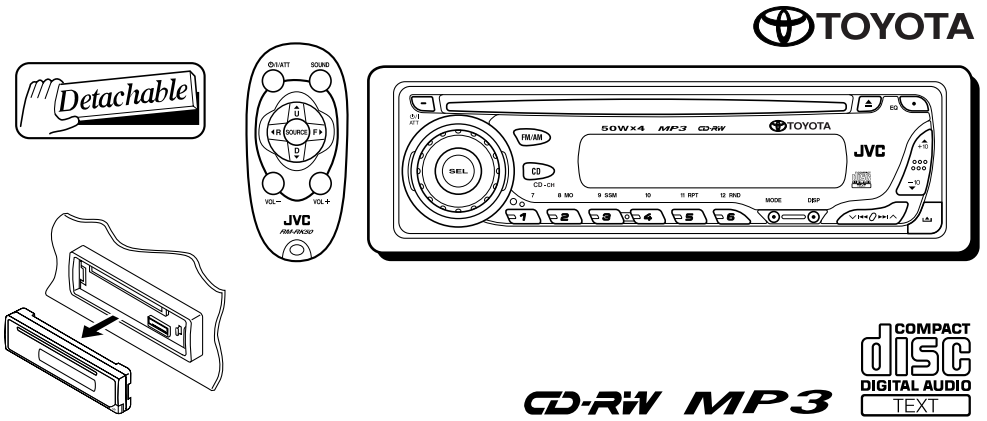
CD RECEIVER

KD-G456

เครื่องเล่น CD

KD-G456

ไทย



For installation and connections, refer to the separate manual.

กรุณาดูคู่มือที่แยกต่างหาก ในการติดตั้งและการเชื่อมต่อ



INSTRUCTIONS

คำแนะนำ

GET0291-001A
[UH]

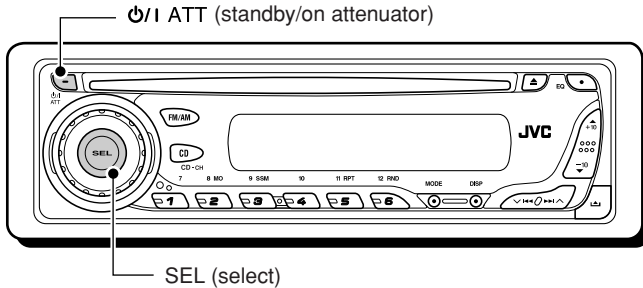
IMPORTANT FOR LASER PRODUCTS

1. CLASS 1 LASER PRODUCT
2. **CAUTION:** Do not open the top cover. There are no user serviceable parts inside the unit; leave all servicing to qualified service personnel.
3. **CAUTION:** Visible and invisible laser radiation when open and interlock failed or defeated. Avoid direct exposure to beam.
4. REPRODUCTION OF LABEL: CAUTION LABEL, PLACED OUTSIDE THE UNIT.

<p>CAUTION: Visible and invisible laser radiation when open and interlock failed or defeated. AVOID DIRECT EXPOSURE TO BEAM.</p>	<p>ADVARSEL: Synlig og usynlig laserstråling når maskinen er åpen eller interlocken fejler. Undgå direkte eksponering til strålingen.</p>	<p>WARNING: Synlig och osynlig laserstråling när den öppnas och spärren är urkopplad. Beträkta strålen.</p>	<p>VARO: Avotettava ja suoraan nähtävä laserstrålus säteilyä. Vältä säteen kohdistamista suoraan itseesi. (1)</p>
---	--	--	--

How to reset your unit

While holding SEL (select), press **⏻/ATT** (standby/on attenuator) for more than 2 seconds. This will reset the built-in microcomputer.

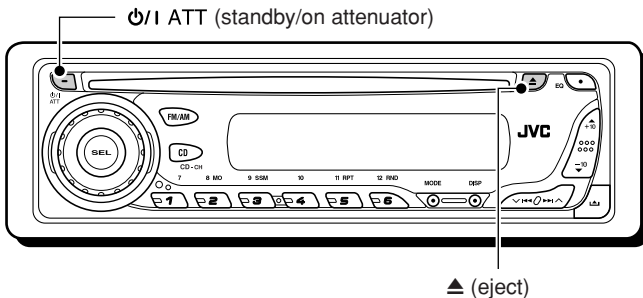


Notes:

- Your preset adjustments—such as preset channels or sound adjustments—will also be erased.
- If a disc is in the unit, it will eject when you reset the unit. Be careful not to drop the disc.

How to forcibly eject a disc

While holding **⏻/ATT** (standby/on attenuator), press **▲** (eject) for more than 2 seconds until the disc is ejected from the loading slot, if a disc cannot be recognized by the unit or cannot be ejected.



Notes:

- If this does not work, try to reset your unit.
- Be careful not to drop the disc when it ejects.

Thank you for purchasing a JVC product. Please read all instructions carefully before operation, to ensure your complete understanding and to obtain the best possible performance from the unit.

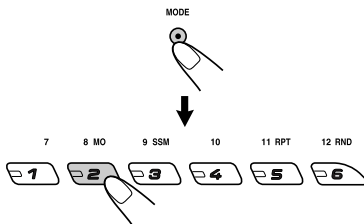
CONTENTS

How to reset your unit	2	MP3 OPERATIONS	16
How to forcibly eject a disc	2	Playing an MP3 disc	16
How to use the MODE button	3	Locating a file or a particular portion on an MP3 disc	17
LOCATION OF THE BUTTONS	4	Selecting MP3 playback modes	19
Control panel	4	SOUND ADJUSTMENTS	20
Remote controller	5	Selecting preset sound modes (C-EQ: custom equalizer)	20
Preparing the remote controller	6	Adjusting the sound	21
BASIC OPERATIONS	7	OTHER MAIN FUNCTIONS	22
Turning on the power	7	Changing the general settings (PSM)	22
Setting the clock	8	Detaching the control panel	24
RADIO OPERATIONS	9	CD CHANGER OPERATIONS	25
Listening to the radio	9	Playing discs	25
Storing stations in memory	10	Selecting the playback modes	28
Tuning in to a preset station	11	EXTERNAL COMPONENT OPERATIONS ...	29
CD OPERATIONS	12	Playing an external component	29
Playing a CD	12	ADDITIONAL INFORMATION	30
Locating a track or a particular portion on a CD	13	Playing a CD-R or CD-RW	30
Selecting CD playback modes	14	Playing an MP3 disc	30
Playing a CD Text	15	TROUBLESHOOTING	31
Prohibiting disc ejection	15	MAINTENANCE	34
		SPECIFICATIONS	35

How to use the MODE button

If you press MODE, the unit goes into functions mode, then the number buttons and ▲/▼ buttons work as different function buttons.

Ex.: When number button 2 works as MO (monaural) button.



Time countdown indicator

To use these buttons for original functions again after pressing MODE, wait for 5 seconds without pressing any of these buttons until the functions mode is cleared.

- Pressing MODE again also clears the functions mode.

BEFORE USE

*For safety...

- Do not raise the volume level too much, as this will block outside sounds, making driving dangerous.
- Stop the car before performing any complicated operations.

*Temperature inside the car...

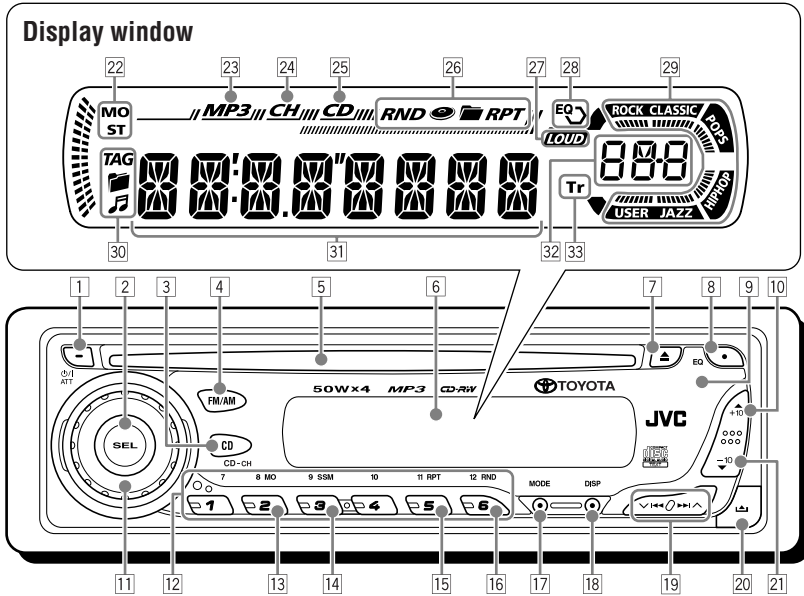
If you have parked the car for a long time in hot or cold weather, wait until the temperature in the car becomes normal before operating the unit.



LOCATION OF THE BUTTONS

ENGLISH

Control panel



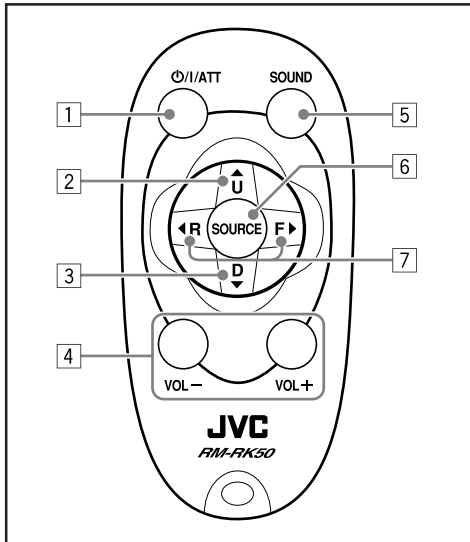
- 1 ATT (standby/on attenuator) button
- 2 SEL (select) button
- 3 CD-CH (CD changer) button
- 4 FM/AM button
- 5 Loading slot
- 6 Display window
- 7 (eject) button
- 8 EQ (equalizer) button
- 9 Remote sensor
- 10 (up) button
+10 button
- 11 Control dial
- 12 Number buttons
- 13 MO (monaural) button
- 14 SSM (Strong-station Sequential Memory) button
- 15 RPT (repeat) button
- 16 RND (random) button
- 17 MODE button
- 18 DISP (display) button
- 19 buttons
- 20 (control panel release) button
- 21 (down) button
-10 button

Display window

- 22 Tuner reception indicators
MO (monaural), ST (stereo)
- 23 MP3 indicator
- 24 CH (CD changer) indicator
• Lights up only when connecting to a CD changer.
- 25 CD indicator
- 26 Playback item/mode indicators
RND (random), (disc), (folder),
RPT (repeat)
- 27 LOUD (loudness) indicator
- 28 EQ (equalizer) indicator
- 29 Sound mode (C-EQ: custom equalizer) indicators
ROCK, CLASSIC, POPS, HIP HOP, JAZZ,
USER
• also works as the time countdown indicator.
- 30 Disc information indicators
TAG (ID3 Tag), (folder), (track/file)
- 31 Main display
- 32 Source display
- 33 Tr (track) indicator



Remote controller



- 1 • Turns on the unit if pressed when the unit is turned off.
 - Skips off the unit if pressed and held until “SEE YOU” appears on the display.
 - Drops the volume level in a moment if pressed briefly.
Press again to resume the volume.
- 2 • Selects the band while listening to the radio. Each time you press the button, the band changes.
 - Skips to the first file of the next folder while listening to an MP3 disc. Each time you press the button, you can move to the next folder and start playing the first file.
 - While playing an MP3 disc on an MP3-compatible CD changer;
 - Skips to the next disc if pressed briefly.
 - Skips to the next folder if pressed and held.

Note: While playing a CD on a CD changer, this always skips to the next disc.

- 3 • Selects the preset stations while listening to the radio.
 - Each time you press the button, the preset station number increases, and the selected station is tuned in.
 - Skips to the first file of the previous folder while listening to an MP3 disc. Each time you press the button, you can move to the previous folder and start playing the first file.
 - While playing an MP3 disc on an MP3-compatible CD changer;
 - Skips to the previous disc if pressed briefly.
 - Skips to the previous folder if pressed and held.
- Note:** While playing a CD on a CD changer, this always skips to the previous disc.
- 4 Functions the same as the control dial on the main unit.

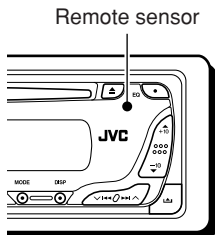
Note: These buttons do not function for the preferred setting mode (PSM) adjustment.

- 5 Selects the sound mode (C-EQ: custom equalizer).
 - Each time you press the button, the sound mode (C-EQ) changes.
- 6 Selects the source.
 - Each time you press the button, the source changes.
- 7 • Searches for stations while listening to the radio.
 - Fast-forwards or reverses the track/file if pressed and held while listening to a disc.
 - Skips to the beginning of the next track/file or goes back to the beginning of the current (or previous) tracks/files if pressed briefly while listening to a disc.

Preparing the remote controller

Before using the remote controller:

- Aim the remote controller directly at the remote sensor on the main unit. Make sure there is no obstacle in between.



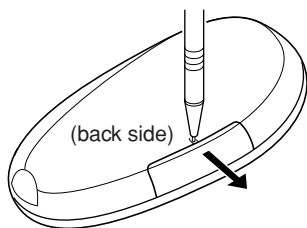
- Do not expose the remote sensor to strong light (direct sunlight or artificial lighting).

Installing the battery

When the controllable range or effectiveness of the remote controller decreases, replace the battery.

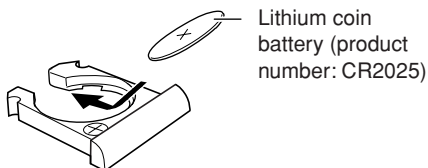
1. Remove the battery holder.

- 1) Push out the battery holder in the direction indicated by the arrow using a ball-point pen or a similar tool.
- 2) Remove the battery holder.



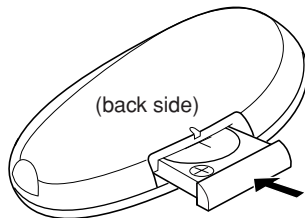
2. Place the battery.

Slide the battery into the holder with the + side facing upwards so that the battery is fixed in the holder.



3. Return the battery holder.

Insert again the battery holder by pushing it until you hear a clicking sound.

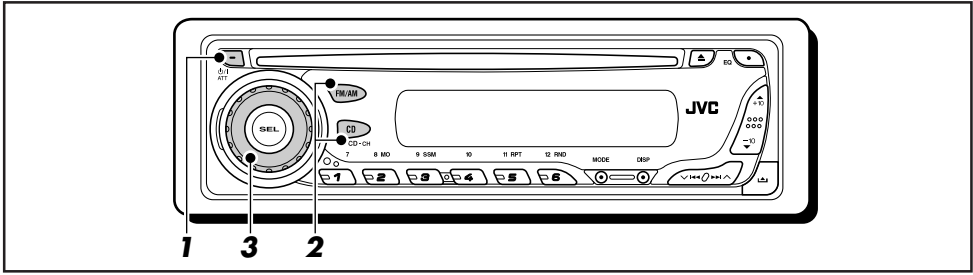


WARNING:

- Store the battery in a place where children cannot reach.
If a child accidentally swallows the battery, consult a doctor immediately.
- Do not recharge, short, disassemble, or heat the battery or dispose of it in a fire.
Doing any of these things may cause the battery to give off heat, crack, or start a fire.
- Do not leave the battery with other metallic materials.
Doing this may cause the battery to give off heat, crack, or start a fire.
- When throwing away or saving the battery, wrap it in tape and insulate; otherwise, the battery may start to give off heat, crack, or start a fire.
- Do not poke the battery with tweezers or similar tools.
Doing this may cause the battery to give off heat, crack, or start a fire.

CAUTION:

DO NOT leave the remote controller in a place (such as dashboards) exposed to direct sunlight for a long time. Otherwise, it may be damaged.



Turning on the power

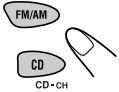
1 Turn on the power.



Note on One-Touch Operation:

When you select a source in step 2 below, the power automatically comes on. You do not have to press this button to turn on the power.

2 Select the source.



To operate the tuner (FM or AM), see pages 9 – 11.

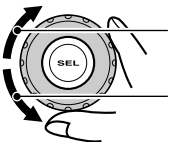
To play a CD, see pages 12 – 15.

To play an MP3 disc, see pages 16 – 19.

To operate the CD changer, see pages 25 – 28.

To operate the external component (LINE IN), see page 29.

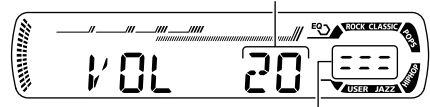
3 Adjust the volume.



To increase the volume

To decrease the volume

Volume level appears.



Volume level indicator

4 Adjust the sound as you want. (See pages 20 and 21.)

To drop the volume in a moment

Press **ATT** briefly while listening to any source. "ATT" starts flashing on the display, and the volume level will drop in a moment.

To resume the previous volume level, press the button briefly again.

- If you turn the control dial, you can also restore the sound.

To turn off the power

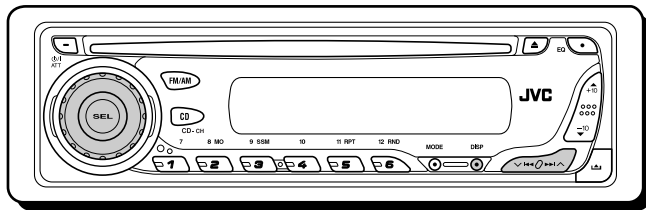
Press and hold **ATT** for more than one second.

"SEE YOU" appears, then the unit turns off.

- **If you turn off the power while listening to a disc**, disc play will start from where playback has been stopped previously, next time you turn on the power.

CAUTION on Volume Setting:

Discs produce very little noise compared with other sources. If the volume level is adjusted for the tuner, for example, the speakers may be damaged by the sudden increase in the output level. Therefore, lower the volume before playing a disc and adjust it as required during playback.



Setting the clock

- 1 Press and hold SEL (select) for more than 2 seconds so that one of the PSM items appears on the display. (PSM: see page 22.)

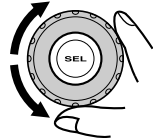


- 2 Set the hour.
 - 1 Select "CLOCK H" (hour) if not shown on the display.
 - 2 Adjust the hour.

1



2



- 3 Set the minute.
 - 1 Select "CLOCK M" (minute).
 - 2 Adjust the minute.

1



2



- 4 Finish the setting.



To check the current clock time or change the display mode

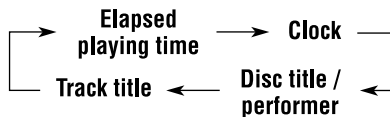


Press DISP (display) repeatedly. Each time you press the button, the display changes as follows:

- During tuner operation:

Frequency ↔ Clock

- During disc operation:



Notes:

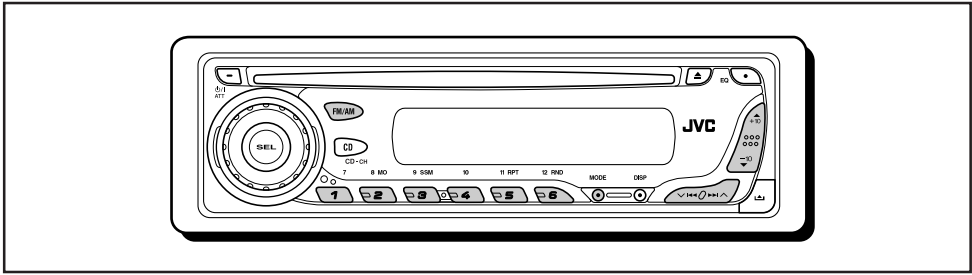
- While playing an audio CD, "NO NAME" appears for the disc title/performer and the track title.
- For indication change while playing a CD Text or an MP3 disc, see also pages 15 and 17.

- During external component operation:

LINE IN ↔ Clock

- During power off:

The power turns on and the clock time is shown for 5 seconds, then the power turns off.



Listening to the radio

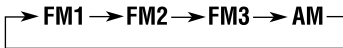
You can use either automatic searching or manual searching to tune in to a particular station.

Searching for a station automatically: Auto search

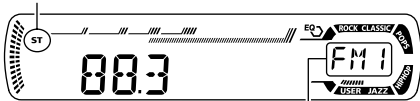
1 Select the band (FM1 – 3, AM).



Each time you press the button, the band changes as follows:



Lights up when receiving an FM stereo broadcast with sufficient signal strength.

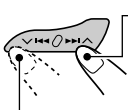


Selected band appears.

Note:

This receiver has three FM bands (FM1, FM2, FM3). You can use any one of them to listen to an FM broadcast.

2 Start searching for a station.



To search for stations of higher frequencies

To search for stations of lower frequencies

When a station is received, searching stops.

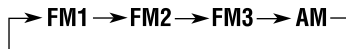
To stop searching before a station is received, press the same button you have pressed for searching.

Searching for a station manually: Manual search

1 Select the band (FM1 – 3, AM).



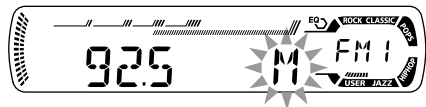
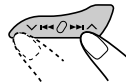
Each time you press the button, the band changes as follows:



Note:

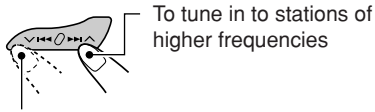
This receiver has three FM bands (FM1, FM2, FM3). You can use any one of them to listen to an FM broadcast.

2 Press and hold ►►► ▲ or ▼ ◄◄◄ until “M” (manual) starts flashing on the display.





3 Tune in to a station you want while “M” (manual) is still flashing.



To tune in to stations of lower frequencies

- If you release your finger from the button, the manual mode will automatically turn off after 5 seconds.
- If you hold down the button, the frequency keeps changing (in 50 kHz intervals for FM and 9 kHz for AM) until you release the button.

When an FM stereo broadcast is hard to receive:

MODE



- 1 Press MODE to enter the functions mode while listening to an FM stereo broadcast.

MO



- 2 Press MO (monaural), while “MODE” is still flashing on the display, so that “MONO” appears on the display. Each time you press the button, monaural mode turns on and off alternately.

MO (monaural) indicator



When the MO indicator is lit on the display, the sound you hear becomes monaural but the reception will be improved.

Storing stations in memory

You can use one of the following two methods to store broadcasting stations in memory.

- Automatic preset of FM stations: SSM (Strong-station Sequential Memory)
- Manual preset of both FM and AM stations

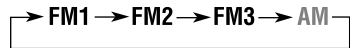
FM station automatic preset: SSM

You can preset 6 local FM stations in each FM band (FM1, FM2, and FM3).

1 Select the FM band (FM1 – 3) you want to store FM stations into.



Each time you press the button, the band changes as follows:



2 Press MODE to enter the functions mode.



3 Press and hold SSM for about 2 seconds.

SSM



“SSM” flashes, then disappears when automatic presetting is over.

Local FM stations with the strongest signals are searched and stored automatically in the band number you have selected (FM1, FM2, or FM3). These stations are preset in the number buttons—No.1 (lowest frequency) to No.6 (highest frequency).

When automatic preset is over, the station stored in number button 1 will be automatically tuned in.

Manual preset

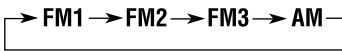
You can preset up to 6 stations in each band (FM1, FM2, FM3, and AM) manually.

Ex.: Storing FM station of 92.5 MHz into the preset number 1 of the FM1 band.

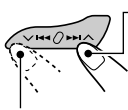
1 Select the band (FM1 – 3, AM) you want to store stations into (in this example, FM1).



Each time you press the button, the band changes as follows:

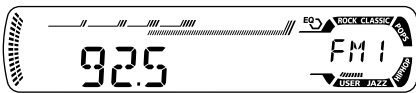


2 Tune in to a station (in this example, of 92.5 MHz).

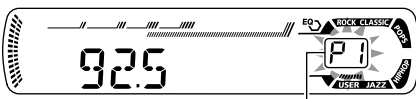


To tune in to stations of higher frequencies

To tune in to stations of lower frequencies



3 Press and hold the number button (in this example, 1) for more than 2 seconds.



Preset number flashes for a while.

4 Repeat the above procedure to store other stations into other preset numbers.

Notes:

- A previously preset station is erased when a new station is stored in the same preset number.
- Preset stations are erased when the power supply to the memory circuit is interrupted (for example, during battery replacement). If this occurs, preset the stations again.

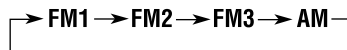
Tuning in to a preset station

You can easily tune in to a preset station. Remember that you must store stations first. If you have not stored them yet, see “Storing stations in memory” on pages 10 and 11.

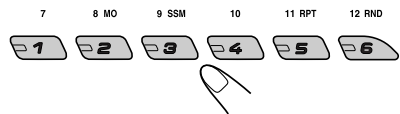
1 Select the band (FM1 – 3, AM).



Each time you press the button, the band changes as follows:



2 Select the number (1 – 6) for the preset station you want.

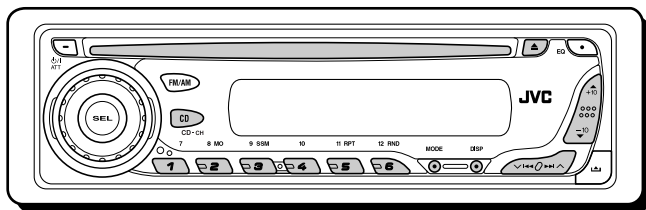


Note:

You can also use the ▲ (up) or ▼ (down) button on the unit to select the next or previous preset stations. Each time you press the ▲ (up) or ▼ (down) button, the next or previous preset station is tuned in.



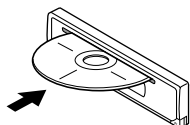
CD OPERATIONS



Refer "MP3 OPERATIONS" on pages 16 to 19 for operating MP3 discs.

Playing a CD

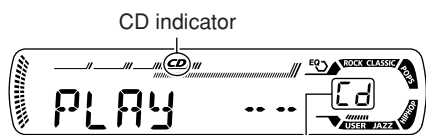
Insert a CD into the loading slot.



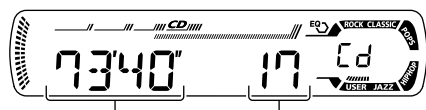
The unit turns on, draws the CD and starts playback automatically.

Note on One-Touch Operation:

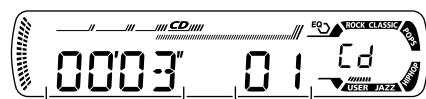
When a CD is already in the loading slot, pressing CD CD-CH turns on the unit and starts playback automatically.



CD indicator
Current source indication



Total playing time of the inserted disc
Total track number of the inserted disc



Elapsed playing time
Current track number

All tracks will be played repeatedly until you stop playback.

Notes:

- When a CD is inserted upside down, "EJECT" appears on the display and the CD automatically ejects.
- If there is no CD in the loading slot, you cannot select CD as the source. "NO DISC" appears on the display.
- If the current disc is a CD Text, disc title/performer and then track title will automatically appear.

To stop play and eject the CD

Press ▲.

CD play stops and the CD automatically ejects from the loading slot. The source changes to the previously selected source.

- If you change the source, CD play also stops (without ejecting the CD).

Next time you select "CD" as the source, CD play starts from where playback has been stopped previously.

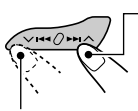
Notes:

- If the ejected disc is not removed for about 15 seconds, the disc is automatically inserted again into the loading slot to protect it from dust. (Disc play will not start this time.)
- You can eject the disc even when the unit is turned off.



Locating a track or a particular portion on a CD

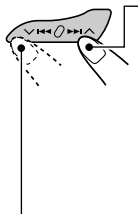
To fast-forward or reverse the track



Press and hold **▶▶▶** **◀**, while playing a CD, to fast-forward the track.

Press and hold **◀◀◀** **▶**, while playing a CD, to reverse the track.

To go to the next or previous tracks

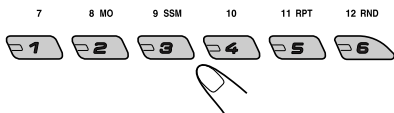


Press **▶▶▶** **▲** briefly, while playing a CD, to go ahead to the beginning of the next track. Each time you press the button consecutively, the beginning of the next tracks is located and played back.

Press **◀◀◀** **▼** briefly, while playing a CD, to go back to the beginning of the current track. Each time you press the button consecutively, the beginning of the previous tracks is located and played back.

To go to a particular track directly

Press the number button corresponding to the track number to start its playback.



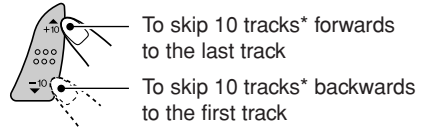
- To select a track number from 01 – 06: Press 1 (7) – 6 (12) briefly.
- To select a track number from 07 – 12: Press and hold 1 (7) – 6 (12) for more than one second.

To go to a track quickly (+10 and -10 buttons)

- 1 Press MODE to enter the functions mode while playing a CD.



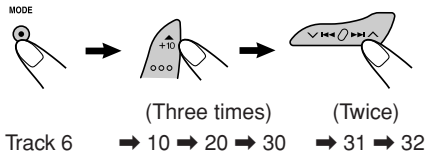
- 2 Press +10 or -10.



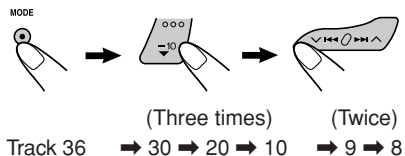
- * First time you press +10 or -10 button, the track skips to the nearest higher or lower track with a track number of multiple ten (ex. 10th, 20th, 30th). Then each time you press the button, you can skip 10 tracks (see "How to use the +10 and -10 buttons" below).
- After the last track, the first track will be selected, and vice versa.

How to use the +10 and -10 buttons

- Ex. 1: To select track number 32 while playing track number 6



- Ex. 2: To select track number 8 while playing track number 36





Selecting CD playback modes

To play back tracks at random (Disc Random Play)

You can play back all tracks on the CD at random.

MODE



- 1 Press MODE to enter the functions mode while playing a CD.


12 RND



- 2 Press RND (random), while "MODE" is still flashing on the display, so that "DISC RND" appears on the display. Each time you press the button, disc random play mode turns on and off alternately.

RND and  (disc) indicators



When disc random play is turned on, the RND and  indicators light up on the display. A track randomly selected starts playing.

To play back tracks repeatedly (Track Repeat Play)

You can play back the current track repeatedly.

MODE



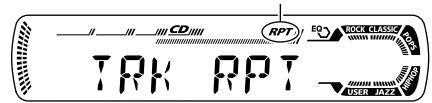
- 1 Press MODE to enter the functions mode while playing a CD.

11 RPT



- 2 Press RPT (repeat), while "MODE" is still flashing on the display, so that "TRK RPT" appears on the display. Each time you press the button, track repeat play mode turns on and off alternately.

RPT indicator



When track repeat play is turned on, the RPT indicator lights up on the display. The current track starts playing repeatedly.



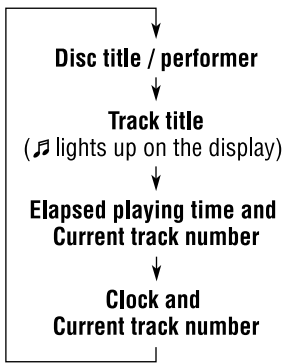
Playing a CD Text

In a CD Text, some information about the disc (its disc title, performer, and track title) is recorded. This CD Text information will be shown automatically when you play a CD Text.

To change the CD Text information manually, select text display mode while playing a CD Text.



Press DISP (display) repeatedly. Each time you press the button, the display changes as follows:



Notes:

- The display shows up to 8 characters at one time and scrolls if there are more than 8 characters. See also “To select the scroll mode—SCROLL” on page 23. Some characters or symbols will not be shown (and be blanked) on the display. (Ex. “ABCâ!d#” ⇔ “ABCA D ”)
- When you press DISP (display) while playing an audio CD, “NO NAME” appears for the disc title/performer and the track title.
- When track title is shown, the Tr indicator and current track number also appear on the right side of the display.

Prohibiting disc ejection

You can prohibit disc ejection and can lock a disc in the loading slot.

While pressing CD CD-CH, press and hold ▲ for more than 2 seconds.

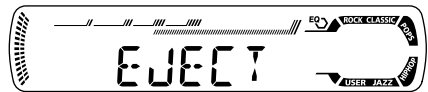


“EJECT” flashes on the display for about 5 seconds, and the disc is locked and cannot be ejected.



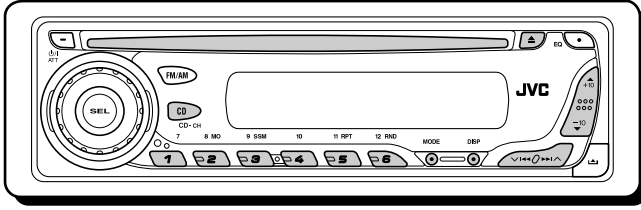
To cancel the prohibition and unlock the disc

While pressing CD CD-CH, press and hold ▲ again for more than 2 seconds. “EJECT” appears on the display, and the disc ejects from the loading slot.





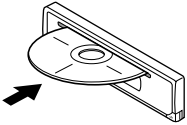
MP3 OPERATIONS



Refer also to “CD OPERATIONS” on pages 12 to 15.

Playing an MP3 disc

Insert an MP3 disc into the loading slot.



Note on One-Touch operation:

When a disc is already in the loading slot, pressing CD CD-CH turns on the unit and starts playback automatically.

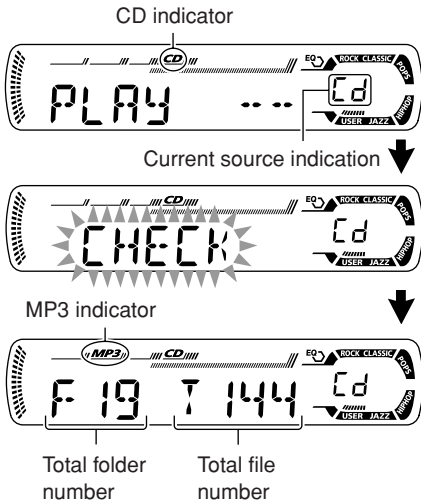
Notes:

- MP3 discs require a longer readout time. (It differs due to the complexity of the folder/file configuration.)
- When playback starts, folder and file names (or ID3 tags) will automatically appear. (See also page 17.)
- If you change the source or turn the power off, disc playback stops (without ejecting the disc). Next time you select the CD player as the source or turn the power on, disc play starts from where playback has been stopped previously.

To stop play and eject the disc

Press ▲.

Playback stops and the disc automatically ejects from the loading slot.



Ex.: When the disc contains 19 folders and 144 MP3 files

All files will be played repeatedly until you stop playback.



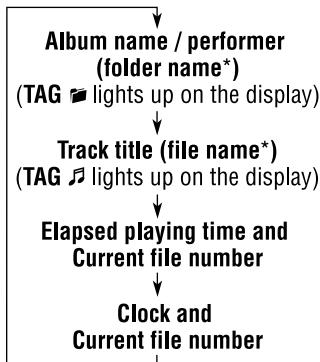
To change the display information

While playing back an MP3 file, you can change the MP3 disc information shown on the display.



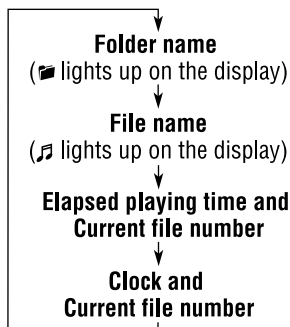
Press DISP (display) repeatedly. Each time you press the button, the display changes to show the following:

- When “TAG DISP” is set to “TAG ON” (initial setting: see page 23)



* If an MP3 file does not have ID3 tags, folder name and file name appear. In this case, the TAG indicator will not light up on the display.

- When “TAG DISP” is set to “TAG OFF”

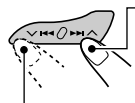


Notes:

- The display shows up to 8 characters at a time and scrolls if there are more than 8 characters. See also “To select the scroll mode—SCROLL” on page 23.
- When folder or file name is shown, current folder number or the Tr indicator and current file number also appear on the right side of the display.

Locating a file or a particular portion on an MP3 disc

To fast-forward or reverse the file



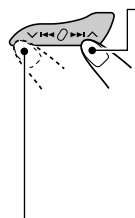
Press and hold ►►▲ while playing an MP3 disc, to fast-forward the file.

Press and hold ▼◄◄ while playing an MP3 disc, to reverse the file.

Note:

During this operation, you can only hear intermittent sounds. (The elapsed playing time also changes intermittently on the display.)

To skip to the next or previous files



Press ►►▲ briefly while playing, to skip ahead to the beginning of the next file. Each time you press the button consecutively, the beginning of the next files is located and played back.

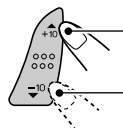
Press ▼◄◄ briefly, while playing, to skip back to the beginning of the current file. Each time you press the button consecutively, the beginning of the previous files is located and played back.

To go to a particular file quickly within the current folder (+10 and -10 buttons)

- 1 Press MODE to enter the functions mode while playing an MP3 disc.



- 2 Press +10 or -10.



To skip 10 files* forwards to the last file

To skip 10 files* backwards to the first file

CONTINUED ON THE NEXT PAGE

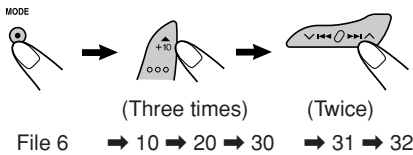
* First time you press +10 or -10 button, the file skips to the nearest higher or lower file with a file number of multiple ten (ex. 10th, 20th, 30th).

Then each time you press the button, you can skip 10 files (see “How to use the +10 and -10 buttons” below).

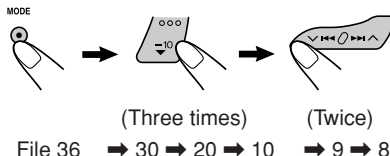
- After the last file, the first file will be selected, and vice versa.

How to use the +10 and -10 buttons

- Ex. 1: To select file number 32 while playing file number 6



- Ex. 2: To select file number 8 while playing file number 36



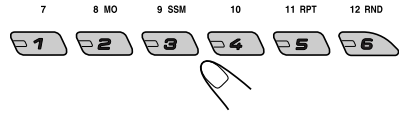
To go to a particular folder directly

IMPORTANT:

To directly select the folders using the number button(s), it is required that folders are assigned 2 digit numbers at the beginning of their folder names. (This can only be done during the recording of CD-Rs or CD-RWs.)

- Ex.: If folder name is “01 ABC”
- Press 1 to go to Folder 01 ABC.
 - If folder name is “1 ABC,” pressing 1 does not work.
 - If folder name is “12 ABC”
 - Press and hold 6 (12) to go to Folder 12 ABC.

Press the number button corresponding to the folder number to start playing the first file in the selected folder.



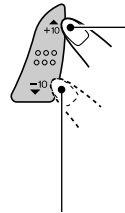
- To select a folder number from 01 – 06: Press 1 (7) – 6 (12) briefly.
- To select a folder number from 07 – 12: Press and hold 1 (7) – 6 (12) for more than one second.

Notes:

- If indicator flashes on the display after you have selected a folder, it means that the folder does not contain any MP3 files.
- You cannot directly select a folder with a number greater than 12.

To select a particular file in a folder, press or after selecting the folder.

To skip to the next or previous folder



Press (up) while playing an MP3 disc to skip to the next folder. Each time you press the button consecutively, the next folder is located (and the first file in the folder starts playing, if recorded).

Press (down) while playing an MP3 disc to skip back to the previous folder. Each time you press the button consecutively, the previous folder is located (and the first file in the folder starts playing, if recorded).

Note:

If the folder does not contain any MP3 files, it is skipped.



Selecting MP3 playback modes

To play back files at random (Folder Random/Disc Random Play)

You can play back all files of the current folder or all files on the MP3 disc at random.

MODE



- 1 Press MODE to enter the functions mode while playing an MP3 disc.

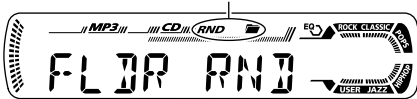
12 RND



- 2 Press RND (random), while "MODE" is still flashing on the display, so that "FLDR RND" or "DISC RND" appears on the display. Each time you press the button, the random play mode changes as follows:



RND and (folder) indicators



Ex.: When you select "FLDR RND"

Mode	Active indicator	Plays at random
FLDR RND	RND and indicators light up.	All files of the current folder, then files of the next folder and so on.
DISC RND	RND and indicators light up.	All files on the disc.

To play back files repeatedly (Track Repeat/Folder Repeat Play)

You can play back the current file or all the files in the current folder repeatedly.

MODE

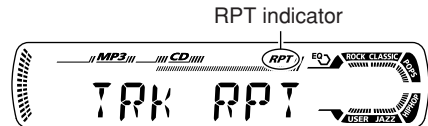


- 1 Press MODE to enter the functions mode while playing an MP3 disc.

11 RPT



- 2 Press RPT (repeat), while "MODE" is still flashing on the display, so that "TRK RPT" or "FLDR RPT" appears on the display. Each time you press the button, the repeat play mode changes as follows:



Ex.: When you select "TRK RPT"

Mode	Active indicator	Plays repeatedly
TRK RPT	RPT indicator lights up.	The current (or specified) file.
FLDR RPT	and RPT indicators light up.	All files of the current (or specified) folder.



SOUND ADJUSTMENTS

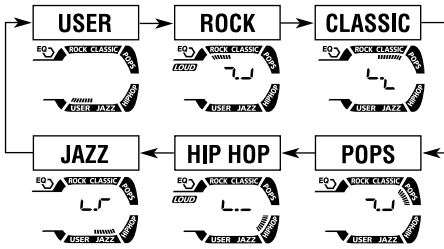
Selecting preset sound modes (C-EQ: custom equalizer)

You can select a preset sound mode (C-EQ: custom equalizer) suitable to the music genre.

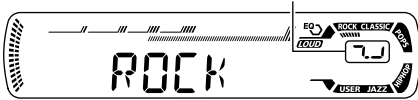
Select the sound mode you want.



Each time you press the button, the sound modes change as follows:



Indication pattern changes for each sound mode except for "USER."



Ex.: When you select "ROCK"

Indication	For:	Preset values		
		BAS	TRE	LOUD
USER	(User sound mode)	+02	+01	OFF
ROCK	Rock or disco music	+03	+01	ON
CLASSIC	Classical music	+01	-02	OFF
POPS	Light music	+04	+01	OFF
HIP HOP	Funk or rap music	+02	00	ON
JAZZ	Jazz music	+02	+03	OFF

Note:

You can adjust each sound mode to your preference. Once you make an adjustment, it is automatically stored for the currently selected sound mode. See "Adjusting the sound" on page 21.



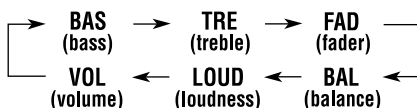
Adjusting the sound

You can adjust the sound characteristics to your preference.

1 Select the item you want to adjust.



Each time you press the button, the adjustable items change as follows:



Indication	To do:	Range
BAS* ¹	Adjust the bass.	-06 (min.) +06 (max.)
TRE* ¹	Adjust the treble.	-06 (min.) +06 (max.)
FAD* ²	Adjust the front and rear speaker balance.	R06 (Rear only) F06 (Front only)
BAL	Adjust the left and right speaker balance.	L06 (Left only) R06 (Right only)
LOUD* ¹	Boost low and high frequencies to produce a well-balanced sound at low volume level.	LOUD ON LOUD OFF
VOL* ³	Adjust the volume.	00 (min.) 30 or 50 (max.)* ⁴

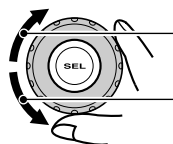
*¹ When you adjust the bass, treble, or loudness, the adjustment you have made is stored for the currently selected sound mode (C-EQ) including "USER."

*² If you are using a two-speaker system, set the fader level to "00."

*³ Normally the control dial works as the volume control. So you do not have to select "VOL" to adjust the volume level.

*⁴ Depending on the amplifier gain control setting. (See page 23 for details.)

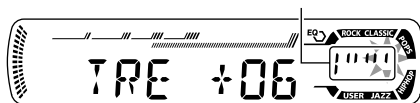
2 Adjust the setting.



To increase the level or turn on the loudness

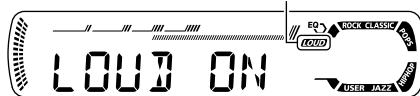
To decrease the level or turn off the loudness

Indication pattern changes as you adjust the bass or treble.



Ex. 1: When you adjust "TRE" (treble)

LOUD indicator



Ex. 2: When you turn on the loudness

3 Repeat steps 1 and 2 to adjust the other items.

To reset each sound mode to the factory settings, repeat the same procedure and reassign the preset values listed in the table on page 20.



OTHER MAIN FUNCTIONS

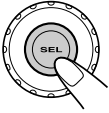
ENGLISH

Changing the general settings (PSM)

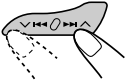
You can change the items listed in the table below by using the PSM (Preferred Setting Mode) control.

Basic Procedure

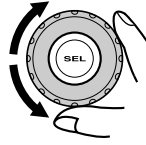
- 1 Press and hold SEL (select) for more than 2 seconds so that one of the PSM items appears on the display. (See below.)



- 2 Select the PSM item you want to adjust.



- 3 Adjust the PSM item selected.



- 4 Repeat steps 2 and 3 to adjust the other PSM items if necessary.

- 5 Finish the setting.



Preferred Setting Mode (PSM) items

• For detailed operations of each PSM items, refer to the pages listed in the table.

Indications		Selectable values/items		Factory-preset settings	See page	
CLOCK H	Hour adjustment	1 – 12		1 (1:00)	8	
CLOCK M	Minute adjustment	00 – 59		00 (1:00)		
DIMMER	Dimmer mode	OFF	ON	OFF	23	
SCROLL	Scroll mode	ONCE ↶	↔ OFF	AUTO ↷	ONCE	23
EXT IN*	External component	CHANGER	LINE IN	CHANGER	23	
TAG DISP	Tag display	TAG OFF	TAG ON	TAG ON	23	
AMP GAIN	Amplifier gain control	LOW PWR	HIGH PWR	HIGH PWR	23	

* Displayed only when one of the following sources is selected—FM, AM, and CD.



To select the dimmer mode—DIMMER

You can dim the display at night (according to your preference).

When shipped from the factory, dimmer is deactivated.

- OFF: Cancels the dimmer.
- ON: Activates the dimmer.

To select the scroll mode—SCROLL

You can select the scroll mode for the disc information (when the entire text cannot be shown at once).

When shipped from the factory, scroll mode is set to "ONCE."

- ONCE: Scrolls only once.
- AUTO: Repeats the scroll (5-second intervals in between).
- OFF: Cancels scroll mode.

Note:

Even if the scroll mode is set to "OFF," you can scroll the display by pressing *DISP* (display) for more than one second.

To select the external component to use—EXT IN

You can connect the external component to the CD changer jack on the rear using the Line Input Adapter KS-U57 (not supplied).

To use the external component as the playback source through this unit, you need to select which component—CD changer or external component—to use.

When shipped from the factory, CD changer is selected as the external component.

- CHANGER: To use the CD changer.
- LINE IN: To use the external component other than CD changer.

Note:

For connecting the Line Input Adapter KS-U57 and the external component, refer to the *Installation/Connection Manual* (separate volume).

To turn the tag display on or off—TAG DISP

An MP3 file can contain file information called "ID3 Tag" where its album name, performer, track title, etc. are recorded.

There are two versions—ID3v1 (ID3 Tag version 1) and ID3v2 (ID3 Tag version 2). If both ID3v1 and ID3v2 are recorded on a disc, ID3v2 information will be shown.

When shipped from the factory, "TAG ON" is selected.

- TAG OFF: Turns off the ID3 tag display while playing MP3 files. (Only the folder name and file name can be shown.)
- TAG ON: Turns on the ID3 tag display while playing MP3 files.
 - If an MP3 file does not have ID3 tags, folder name and file name appear.

To select the amplifier gain control—AMP GAIN

You can change the maximum volume level of this unit. When the maximum power of the speakers is less than 50 W, select "LOW PWR" to prevent them from being damaged.

When shipped from the factory, "HIGH PWR" is selected.

- LOW PWR: You can adjust the volume level from "VOL 00" to "VOL 30."

Note:

If you change the setting from "HIGH PWR" to "LOW PWR" while listening at a volume level more than 30, the unit automatically changes the volume level to "VOL 30."

- HIGH PWR: You can adjust the volume level from "VOL 00" to "VOL 50."



Detaching the control panel

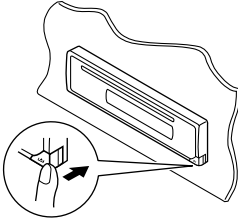
You can detach the control panel when leaving the car.

When detaching or attaching the control panel, be careful not to damage the connectors on the back of the control panel and on the panel holder.

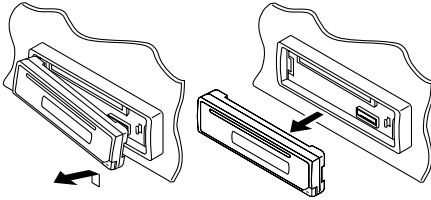
Detaching the control panel

Before detaching the control panel, be sure to turn off the power.

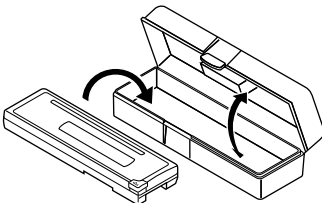
- 1 Unlock the control panel.



- 2 Lift and pull the control panel out of the unit.

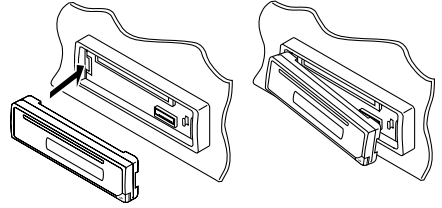


- 3 Put the detached control panel into the provided case.

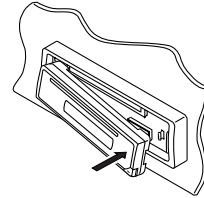


Attaching the control panel

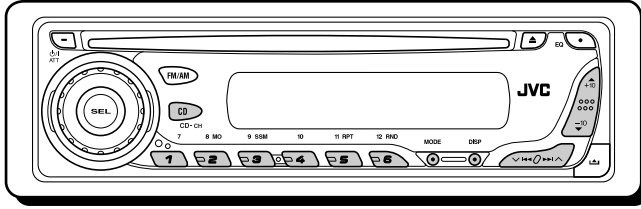
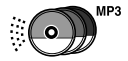
- 1 Insert the left side of the control panel into the groove on the panel holder.



- 2 Press the right side of the control panel to fix it to the panel holder.



CD CHANGER OPERATIONS



We recommend that you use the JVC MP3-compatible CD changer with your unit.

By using this CD changer, you can play back your original CD-Rs (Recordable) and CD-RWs (Rewritable) recorded either in audio CD format or in MP3 format.

- You can also connect other CH-X series CD changers (except CH-X99 and CH-X100). However, they are not compatible with MP3 discs, so you cannot play back MP3 discs.
- You cannot use the KD-MK series CD changers with this unit.

Before operating your CD changer:

- Refer also to the Instructions supplied for your CD changer.
- If no discs are in the magazine of the CD changer or the discs are inserted upside down, "NO DISC" will appear on the display. If this happens, remove the magazine and set the discs correctly.
- If no magazine is loaded in the CD changer, "NO MAG" appears on the display. If this happens, insert the magazine in the CD changer.
- If "RESET 1" – "RESET 8" appears on the display, something is wrong with the connection between this unit and the CD changer. If this happens, check the connection and make sure the cords are connected firmly. Then, press the reset button of the CD changer.

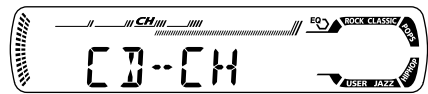
Playing discs

Select the CD changer (CD-CH).



* If you have changed "EXT IN" setting to "LINE IN" (see page 23), you cannot select the CD changer.

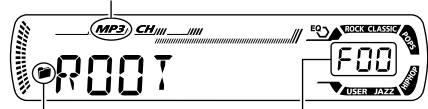
- **When the current disc is an MP3 disc:** Playback starts from the first folder of the current disc once file check is completed.



Selected disc number



MP3 indicator



(folder) indicator

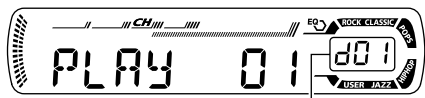
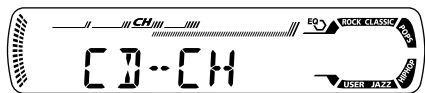
Selected folder number

Note:

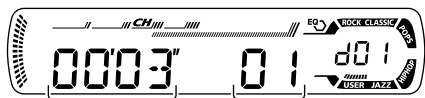
Folder name appears on the display instead of "ROOT," if an MP3 disc contains a folder.



- **When the current disc is a CD:**
Playback starts from the first track of the current disc.



Selected disc number



Elapsed playing time

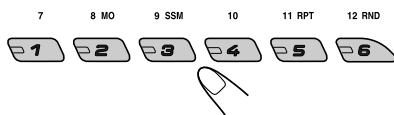
Current track number

Notes:

- When you press CD CD-CH, the power automatically comes on. You do not have to press **⏻/ATT** to turn on the power.
- If you change the source, CD changer play also stops. Next time you select the CD changer as the source, CD changer play starts from where playback has been stopped previously.
- When you start playing back a CD Text or MP3 disc, disc information will automatically appear on the display. (See pages 15 and 17.)

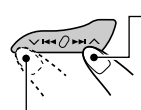
To go to a particular disc directly

Press the number button corresponding to the disc number to start its playback (while the CD changer is playing).



- To select a disc number from 01 – 06:
Press 1 (7) – 6 (12) briefly.
- To select a disc number from 07 – 12:
Press and hold 1 (7) – 6 (12) for more than one second.

To fast-forward or reverse the track/file



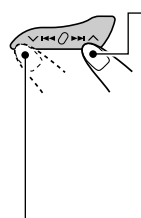
Press and hold **▶▶▲**, during play, to fast-forward the track/file.

Press and hold **◀◀▼**, during play, to reverse the track/file.

Note:

During this operation, you can only hear intermittent sounds. (The elapsed playing time also changes intermittently on the display.)

To skip to the next or previous tracks/files



Press **▶▶▲** briefly during play, to skip ahead to the beginning of the next track/file. Each time you press the button consecutively, the beginning of the next tracks/files is located and played back.

Press **◀◀▼** briefly during play, to skip back to the beginning of the current track/file. Each time you press the button consecutively, the beginning of the previous tracks/files is located and played back.

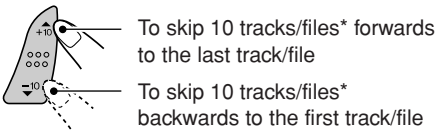
This operation is only possible when using JVC MP3-compatible CD changer (CH-X1500).

To go to a track/file quickly (+10 and -10 buttons)

- 1 Press MODE to enter the functions mode while playing a disc.



- 2 Press +10 or -10.



* First time you press +10 or -10 button, the track/file skips to the nearest higher or lower track/file with a track/file number of multiple ten (ex. 10th, 20th, 30th).

Then each time you press the button, you can skip 10 tracks/files (see "How to use the +10 and -10 buttons" below).

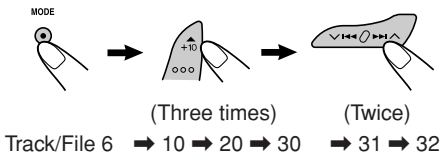
- After the last track/file, the first track/file will be selected, and vice versa.

Note:

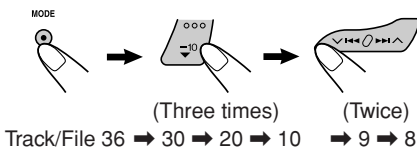
If the current playing disc is an MP3 disc, files are skipped within the same folder.

How to use the +10 and -10 buttons

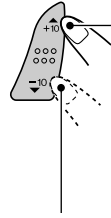
- Ex. 1: To select track/file number 32 while playing track/file number 6



- Ex. 2: To select track/file number 8 while playing track/file number 36



To skip to the next or previous folder (only for MP3 discs)



Press ▲ (up) while playing an MP3 disc, to go to the next folder. Each time you press the button consecutively, the next folder is located, and the first file in the folder starts playback.

Press ▼ (down) while playing an MP3 disc, to go to the previous folder.

Each time you press the button consecutively, the previous folder is located, and the first file in the folder starts playback.

To show the disc information for CD Text and MP3 discs

This is possible only when connecting a JVC CD changer equipped with CD Text and/or MP3 disc information reading capability.

Select text display mode while playing a CD Text or an MP3 disc.



- For details, see page 15 about CD Text disc information and page 17 about MP3 disc information.



Selecting the playback modes

To play back tracks/files at random (Folder Random/Disc Random/Magazine Random Play)

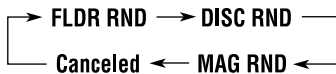


1 Press MODE to enter the functions mode during play.

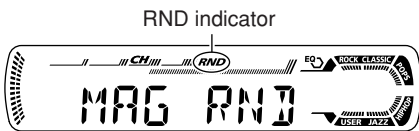


2 Press RND (random), while "MODE" is still flashing on the display. Each time you press the button, the random play mode changes as follows:

For MP3 discs:



For CDs:



Ex.: When you select "MAG RND"

Note:

MP3 indicator also lights up if the current playing disc is an MP3 disc.

Mode	Active indicator	Plays at random
FLDR RND*	RND and indicators light up.	All files of the current folder, then files of the next folder and so on.
DISC RND	RND and indicators light up.	All tracks/files of the current (or specified) disc.
MAG RND	RND indicator lights up.	All tracks/files of the inserted discs.

* "FLDR RND" is only applicable for MP3 discs.

To play back tracks/files repeatedly (Track Repeat/Folder Repeat/Disc Repeat Play)

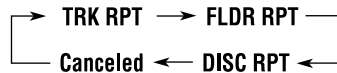


1 Press MODE to enter the functions mode during play.



2 Press RPT (repeat), while "MODE" is still flashing on the display. Each time you press the button, the repeat play mode changes as follows:

For MP3 discs:



For CDs:



(disc) and RPT indicators



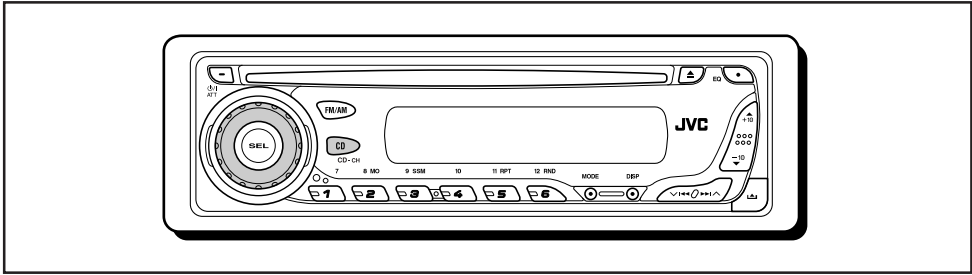
Ex.: When you select "DISC RPT"

Note:

MP3 indicator also lights up if the current playing disc is an MP3 disc.

Mode	Active indicator	Plays repeatedly
TRK RPT	RPT indicator lights up.	The current (or specified) track/file.
FLDR RPT*	and RPT indicators light up.	All files of the current (or specified) folder of the current disc.
DISC RPT	and RPT indicators light up.	All tracks/files of the current (or specified) disc.

* "FLDR RPT" is only applicable for MP3 discs.



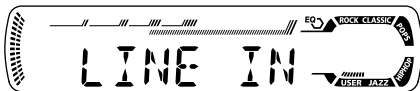
Playing an external component

You can connect the external component to the CD changer jack on the rear using the Line Input Adapter KS-U57 (not supplied).

Preparations:


- For connecting the Line Input Adapter KS-U57 and the external component, refer to the Installation/ Connection Manual (separate volume).
- Before operating the external component using the following procedure, select the external input correctly. See “To select the external component to use—EXT IN” on page 23.

1 Select the external component (LINE IN).



- If “LINE IN” does not appear on the display, see page 23 and select the external input (“LINE IN”).

Note on One-Touch Operation:

When you press CD CD-CH, the power automatically comes on. You do not have to press /I ATT to turn on the power.

2 Turn on the connected component and start playing the source.

3 Adjust the volume.



4 Adjust the sound as you want. (See pages 20 and 21.)



ADDITIONAL INFORMATION

Playing a CD-R or CD-RW

- Use only “finalized” CD-Rs or CD-RWs.
 - This unit can play back only the files of the same type which is first detected if a disc includes both audio CD (CD-DA) files and MP3 files.
 - This unit can play back multi-session discs; however, unclosed sessions will be skipped while playing.
 - Some CD-Rs or CD-RWs may not play back on this unit because of their disc characteristics, and for the following causes:
 - Discs are dirty or scratched.
 - Moisture condensation on the lens inside the unit.
 - The pickup lens inside the unit is dirty.
 - CD-R/CD-RW on which the files are written with “Packet Write” method.
 - There are improper recording conditions (missing data, etc.) or media conditions (stain, scratch, warp, etc.).
 - CD-RWs may require a longer readout time since the reflectance of CD-RWs is lower than that of regular CDs.
 - Do not use following CD-Rs or CD-RWs:
 - Discs with stickers, labels, or protective seal stuck to the surface.
 - Discs on which labels can be directly printed by an ink jet printer.
- Using these discs under high temperatures or high humidity may cause malfunctions or damage to discs.

Playing an MP3 disc

- This unit can play back MP3 files with the extension code <.mp3> (regardless of the letter case—upper/lower).
- This unit can show the names of albums, artists (performer), and ID3 Tag (Version 1.0, 1.1, 2.2, 2.3, or 2.4) for MP3 files.
- This unit can handle only one-byte characters. No other characters can be correctly displayed.
- This unit can play back MP3 files meeting the conditions below:
 - Bit rate: 8 kbps — 320 kbps
 - Sampling frequency:
 - 48 kHz, 44.1 kHz, 32 kHz (for MPEG-1)
 - 24 kHz, 22.05 kHz, 16 kHz (for MPEG-2)
 - Disc format: ISO 9660 Level 1/Level 2, Romeo, Joliet, Windows long file name
- The maximum number of characters for file/folder names vary among the disc format used (includes 4 extension characters—<.mp3>).
 - ISO 9660 Level 1: up to 12 characters
 - ISO 9660 Level 2: up to 31 characters
 - Romeo*: up to 128 (72) characters
 - Joliet*: up to 64 (36) characters
 - Windows long file name*: up to 128 (72) characters

* *The parenthesis figure is the maximum number of characters for file/folder names in case the total number of files and folders is 313 or more.*
- This unit can recognize the total of 512 files, of 200 folder, and of 8 hierarchies.
- This unit can play back the files recorded in VBR (variable bit rate).


The files recorded in VBR have a discrepancy in elapsed time display, and do not show the actual elapsed time. Especially, after performing the search function, this difference becomes noticeable.
- This unit cannot play back the following files:
 - MP3 files encoded with MP3i and MP3 PRO formats.
 - MP3 files encoded in an unappropriated format.
 - MP3 files encoded with Layer 1/2.
 - Files which have the data such as WMA, WAVE, ATRAC3, etc.
- The search function works but search speed is not constant.

TROUBLESHOOTING

What appears to be trouble is not always serious. Check the following points before calling a service center.

	Symptoms	Causes	Remedies
General	<ul style="list-style-type: none"> Sound cannot be heard from the speakers. 	The volume level is set to the minimum level.	Adjust it to the optimum level.
		Connections are incorrect.	Check the cords and connections.
	<ul style="list-style-type: none"> This unit does not work at all. 	The built-in microcomputer may have functioned incorrectly due to noise, etc.	While holding SEL (select), press ⏻/ATT (standby/on attenuator) for more than 2 seconds to reset the unit. (Your preset adjustments will also be erased.) (See page 2.)
FM/AM	<ul style="list-style-type: none"> SSM (Strong-station Sequential Memory) automatic preset does not work. 	Signals are too weak.	Store stations manually.
	<ul style="list-style-type: none"> Static noise while listening to the radio. 	The antenna is not connected firmly.	Connect the antenna firmly.
Disc Playback	<ul style="list-style-type: none"> Disc automatically ejects. CD-R/CD-RW cannot be played back. Tracks on the CD-R/CD-RW cannot be skipped. 	Disc is inserted upside down.	Insert the disc correctly.
		CD-R/CD-RW is not finalized.	<ul style="list-style-type: none"> Insert a finalized CD-R/CD-RW. Finalize the CD-R/CD-RW with the component which you used for recording.
	<ul style="list-style-type: none"> Disc can be neither played back nor ejected. 	Disc is locked.	Unlock the disc. (See page 15.)
		The CD player may have functioned incorrectly.	While holding ⏻/ATT (standby/on attenuator), press ⏏ (eject) for more than 2 seconds. Be careful not to drop the disc when it is ejected.
	<ul style="list-style-type: none"> Disc sound is sometimes interrupted. 	You are driving on rough roads.	Stop playback while driving on rough roads.
		Disc is scratched.	Change the disc.
		Connections are incorrect.	Check the cords and connections.
	<ul style="list-style-type: none"> "NO DISC" appears on the display. 	No disc in the loading slot.	Insert a disc into the loading slot.
Disc is inserted incorrectly.		Insert the disc correctly.	



	Symptoms	Causes	Remedies
MP3 Playback	<ul style="list-style-type: none"> Disc cannot be played back. 	No MP3 files are recorded on the disc.	Change the disc.
		MP3 files do not have the extension code <.mp3> in their file names.	Add the extension code <.mp3> to their file names.
		MP3 files are not recorded in the format compliant with ISO 9660 Level 1, Level 2, Romeo, or Joliet.	Change the disc. (Record MP3 files using a compliant application.)
	<ul style="list-style-type: none"> Noise is generated. 	The file played back is not an MP3 file (although it has the extension code <.mp3>).	Skip to another file or change the disc. (Do not add the extension code <.mp3> to non-MP3 files.)
	<ul style="list-style-type: none"> A longer readout time is required ("CHECK" keeps flashing on the display). 	Readout time varies due to the complexity of the folder/file configuration.	Do not use too many hierarchies and folders. Also, do not record any other types of audio tracks together with MP3 files.
	<ul style="list-style-type: none"> Files cannot be played back as you have intended them to play. 	Playback order is determined when the files are recorded.	_____
	<ul style="list-style-type: none"> Elapsed playing time is not correct. 	This sometimes occurs during play. This is caused by how the files are recorded on the disc.	_____
	<ul style="list-style-type: none">  indicator flashes on the display. 	The current folder does not contain any MP3 file.	Select another folder.
<ul style="list-style-type: none"> "NO FILES" appears on the display. 	The current disc does not contain any MP3 file.	Insert a disc that contains MP3 files.	
<ul style="list-style-type: none"> Correct characters are not displayed (e.g. album name). 	This unit can only display alphabets (capital: A–Z), numbers, and a limited number of symbols.	_____	



Symptoms	Causes	Remedies
<ul style="list-style-type: none"> • “NO DISC” appears on the display. 	No disc is in the magazine.	Insert discs into the magazine.
	Discs are inserted upside down.	Insert discs correctly.
<ul style="list-style-type: none"> • “NO MAG” appears on the display. 	No magazine is loaded in the CD changer.	Insert the magazine.
<ul style="list-style-type: none"> • “RESET 8” appears on the display. 	This unit is not connected to the CD changer correctly.	Connect this unit and the CD changer correctly and press the reset button of the CD changer.
<ul style="list-style-type: none"> • “RESET 1” – “RESET 7” appears on the display. 	_____	Press the reset button of the CD changer.
<ul style="list-style-type: none"> • The CD changer does not work at all. 	The built-in microcomputer may function incorrectly due to noise, etc.	While holding SEL (select), press ⏻/ATT (standby/on attenuator) for more than 2 seconds to reset the unit. (Your preset adjustments will also be erased.) (See page 2.)

CD Changer

About mistracking:

Mistracking may result from driving on extremely rough roads. This does not damage the unit and the disc, but will be annoying.

We recommend that you stop disc play while driving on such rough roads.



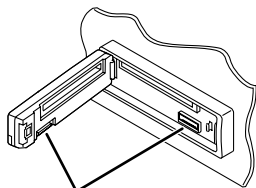
MAINTENANCE

ENGLISH

How to clean the connectors

Frequent detachment will deteriorate the connectors.

To minimize this possibility, periodically wipe the connectors with a cotton swab or cloth moistened with alcohol, being careful not to damage the connectors.



Connector

Moisture condensation

Moisture may condense on the lens inside the CD player in the following cases:

- After starting the heater in the car.
- If it becomes very humid inside the car.

Should this occur, the CD player may malfunction. In this case, eject the disc and leave the unit turned on for a few hours until the moisture evaporates.

How to handle discs

When removing a disc from its case, press down the center holder of the case and lift the disc out, holding it by the edges.

Center holder



- Always hold the disc by the edges. Do not touch its recording surface.

When storing a disc into its case, gently insert the disc around the center holder (with the printed surface facing up).

- Make sure to store discs into the cases after use.

To keep discs clean

A dirty disc may not be played correctly. If a disc does become dirty, wipe it with a soft cloth in a straight line from center to edge.



To play new discs

New discs may have some rough spots around the inner and outer edges. If such a disc is used, this unit may reject the disc.



To remove these rough spots, rub the edges with a pencil or ball-point pen, etc.

CAUTIONS:

Do not insert the following discs into the loading slot:

- 8 cm discs (single CD)
- Unusual shape—heart, flower, etc.

Do not use the following discs:

Warped disc



Sticker



Sticker residue

Disc



Stick-on label

AUDIO AMPLIFIER SECTION

Maximum Power Output:

Front: 50 W per channel

Rear: 50 W per channel

Continuous Power Output (RMS):

Front: 19 W per channel into 4 Ω , 40 Hz to 20 000 Hz at no more than 0.8% total harmonic distortion.

Rear: 19 W per channel into 4 Ω , 40 Hz to 20 000 Hz at no more than 0.8% total harmonic distortion.

Load Impedance: 4 Ω (4 Ω to 8 Ω allowance)

Tone Control Range

Bass: ± 10 dB at 100 Hz

Treble: ± 10 dB at 10 kHz

Frequency Response: 40 Hz to 20 000 Hz

Signal-to-Noise Ratio: 70 dB

Line-Out Level/Impedance:

2.0 V/20 k Ω load (full scale)

Output Impedance: 1 k Ω

Output terminals: CD changer

TUNER SECTION

Frequency Range

FM: 87.5 MHz to 108.0 MHz

AM: 531 kHz to 1 602 kHz

[FM Tuner]

Usable Sensitivity: 11.3 dBf (1.0 μ V/75 Ω)

50 dB Quieting Sensitivity:

16.3 dBf (1.8 μ V/75 Ω)

Alternate Channel Selectivity (400 kHz):

65 dB

Frequency Response: 40 Hz to 15 000 Hz

Stereo Separation: 35 dB

Capture Ratio: 1.5 dB

[AM Tuner]

Sensitivity: 20 μ V

Selectivity: 35 dB

CD PLAYER SECTION

Type: Compact disc player

Signal Detection System: Non-contact optical pickup (semiconductor laser)

Number of channels: 2 channels (stereo)

Frequency Response: 5 Hz to 20 000 Hz

Dynamic Range: 96 dB

Signal-to-Noise Ratio: 98 dB

Wow and Flutter: Less than measurable limit

MP3 decoding format:

MPEG 1/2 Audio Layer 3

Max. Bit Rate: 320 Kbps

GENERAL

Power Requirement

Operating Voltage:

DC 14.4 V (11 V to 16 V allowance)

Grounding System: Negative ground

Allowable Operating Temperature:

0°C to +40°C

Dimensions (W \times H \times D):

Installation Size (approx.):

182 mm \times 52 mm \times 150 mm

Panel Size (approx.):

188 mm \times 58 mm \times 11 mm

Mass (approx.):

1.4 kg (excluding accessories)

Design and specifications are subject to change without notice.

Having TROUBLE with operation?
Please reset your unit
Refer to page of How to reset your unit



JVC



EN, TH

© 2004 Victor Company of Japan, Limited

1004DTSMdTJEIN

JVC KD-G456

Installation/Connection Manual

การติดตั้ง/คู่มือการติดตั้ง

GET0291-002A
[UH]

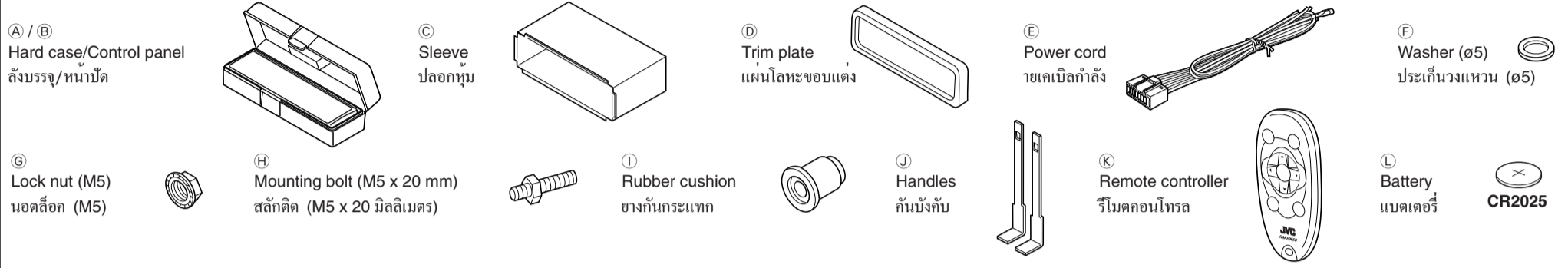
1004DTSMDTJEIN
EN, TH

ENGLISH

This unit is designed to operate on **12 V DC, NEGATIVE ground electrical systems**. If your vehicle does not have this system, a voltage inverter is required, which can be purchased at JVC car audio dealers.

Parts list for installation and connection

The following parts are provided for this unit.
After checking them, please set them correctly.



ไทย

ชุดอุปกรณ์นี้ได้รับการออกแบบมาเพื่อใช้งานกับระบบ กระแสไฟฟ้าดินขั้วลบกระแตรง 12 โวลต์ หากรถยนต์ของคุณไม่ใช้ระบบนี้ ต้องใช้เครื่องแปลงกระแสไฟช่วย ซึ่งสามารถหาซื้อได้จากร้านขายเครื่องเสียงรถยนต์ JVC

รายการส่วนประกอบสำหรับติดตั้งและเชื่อมต่อ

ส่วนประกอบต่อไปนี้มาพร้อมกับชุดประกอบนี้ หลังจากตรวจสอบแล้ว ปรับตั้งเครื่องให้ถูกต้อง

INSTALLATION (IN-DASH MOUNTING)

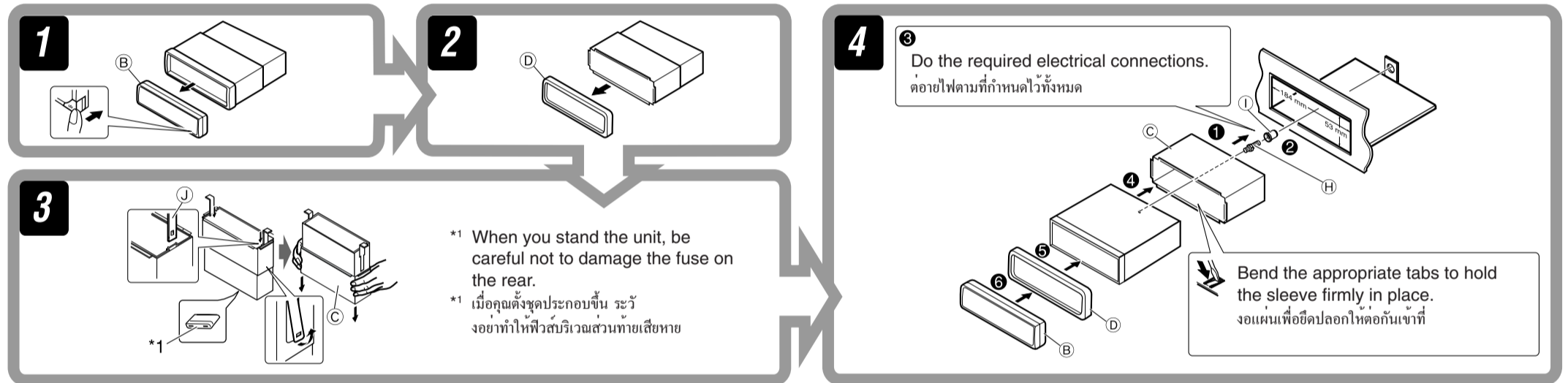
The following illustration shows a typical installation. If you have any questions or require information regarding installation kits, consult your JVC car audio dealer or a company supplying kits.

• If you are not sure how to install this unit correctly, have it installed by a qualified technician.

การติดตั้ง (การประกอบแผงหน้าปัด)

ภาพตัวอย่างต่อไปนี้แสดงถึงการติดตั้งแบบทั่วไป หากคุณมีปัญหาหรือต้องการข้อมูลเพิ่มเติมเกี่ยวกับชุดติดตั้ง กรุณาปรึกษากับผู้ขายเครื่องเสียงรถยนต์ JVC ของท่านหรือบริษัท

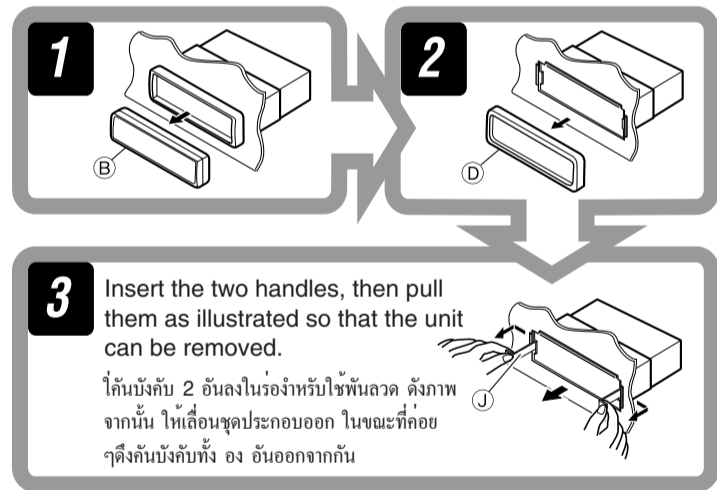
• ชุดประกอบ ถ้าคุณไม่แน่ใจว่าติดตั้งชุดประกอบนี้ถูกต้องหรือไม่ ให้หาช่างผู้เชี่ยวชาญเป็นผู้ติดตั้ง



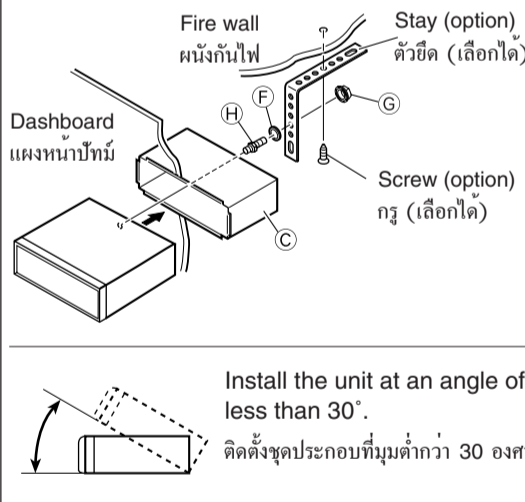
Removing the unit / การถอดชุดประกอบ

Before removing the unit, release the rear section.

ก่อนจะถอดชุดประกอบ ให้ปลดหน้าปัดด้านท้ายก่อน



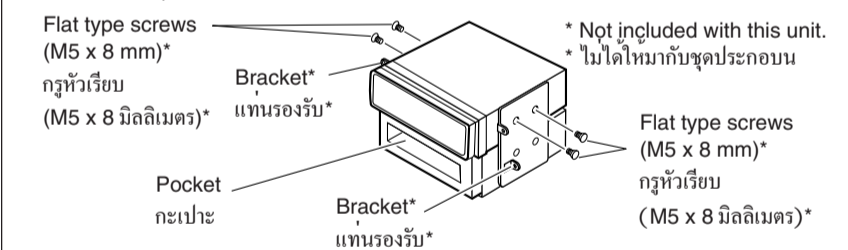
When using the optional stay / เมื่อใช้ตัวยึดแบบเลือกได้



When installing the unit without using the sleeve / เมื่อติดตั้งชุดประกอบโดยไม่ใช้ปลอกหุ้ม

First remove the car radio and install the unit in its place.

ก่อนอื่นขอให้ถอดชุดเครื่องเสียงรถยนต์ออก แล้วติดตั้งเครื่องเข้าที่



Note : When installing the unit on the mounting bracket, make sure to use the 8 mm-long screws. If longer screws are used, they could damage the unit.

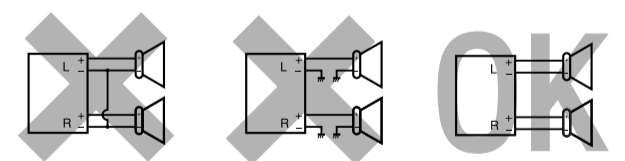
หมายเหตุ : เมื่อติดตั้งชุดประกอบลงในแท่นรองรับไว้ ให้ใช้กรูยาวขนาด 8 มิลลิเมตร ถ้าใช้กรูยาวกว่านี้อาจทำให้ชุดประกอบเสียหายได้

PRECAUTIONS on power supply and speaker connections:

- **DO NOT** connect the speaker leads of the power cord to the car battery; otherwise, the unit will be seriously damaged.
- **BEFORE** connecting the speaker leads of the power cord to the speakers, check the speaker wiring in your car.

ข้อควรระวังสำหรับการต่อแหล่งจ่ายกำลังและลำโพง:

- อย่าต่อสายตะกั่วเคเบิลกำลังของลำโพงเข้ากับแบตเตอรี่รถยนต์ มิฉะนั้น ชุดประกอบจะได้รับความเสียหายมาก
- ก่อนที่จะต่อสายตะกั่วเคเบิลกำลังของลำโพงเข้ากับลำโพง ให้ตรวจสอบการเดินสายไฟลำโพงในรถของคุณให้เรียบร้อยเสียก่อน



TROUBLESHOOTING

- **The fuse blows.**
* Are the red and black leads connected correctly?
- **Power cannot be turned on.**
* Is the yellow lead connected?
- **No sound from the speakers.**
* Is the speaker output lead short-circuited?
- **Sound is distorted.**
* Is the speaker output lead grounded?
* Are the “-” terminals of L and R speakers grounded in common?
- **Noise interfere with sounds.**
* Is the rear ground terminal connected to the car’s chassis using shorter and thicker cords?
- **Unit becomes hot.**
* Is the speaker output lead grounded?
* Are the “-” terminals of L and R speakers grounded in common?
- **This unit does not work at all.**
* Have you reset your unit?

การตรวจสอบปัญหาขัดข้อง

- **ฟิวส์ขาด**
* มีการเชื่อมสายตะกั่วสีดำและสีแดงอย่างถูกต้องหรือไม่
- **ไม่สามารถเปิดเครื่องได้**
* มีการเชื่อมสายตะกั่วสีเหลืองหรือไม่
- **ไม่มีเสียงออกจากลำโพง**
* สายตะกั่วส่วนที่ออกจากลำโพงเกิดไฟฟ้าลัดวงจรหรือไม่
- **เสียงเพี้ยน**
* สายตะกั่วส่วนที่ออกจากลำโพงต่อลงดินหรือไม่
* สายขั้วลบ “-” ของลำโพงด้านซ้ายและขวาต่อลงดินตามปกติหรือไม่
- **เสียงรบกวน**
* มีการใช้สายสั้นๆ หรือหนาๆ ต่อจากเครื่องส่วนที่ติดตั้ง ไว้บนพื้นด้านหลังกับตัวถังรถยนต์หรือไม่
- **ชุดประกอบร้อนขึ้น**
* สายตะกั่วส่วนที่ออกจากลำโพงต่อลงดินหรือไม่
* สายขั้วลบ “-” ของลำโพงด้านซ้ายและขวาต่อลงดินตามปกติหรือไม่
- **เครื่องไม่ทำงานเลย**
* ท่านได้ตั้งเครื่องใหม่หรือยัง

ELECTRICAL CONNECTIONS

To prevent short circuits, we recommend that you disconnect the battery's negative terminal and make all electrical connections before installing the unit.

• **Be sure to ground this unit to the car's chassis again after installation.**

Notes:

- Replace the fuse with one of the specified rating. If the fuse blows frequently, consult your JVC car audio dealer.
- It is recommended to connect to the speakers with maximum power of more than 50 W (both at the rear and at the front, with an impedance of **4 Ω to 8 Ω**). If the maximum power is less than 50 W, change "AMP GAIN" setting to prevent the speakers from being damaged (see page 23 of the INSTRUCTIONS).
- To prevent short-circuit, cover the terminals of the UNUSED leads with insulating tape.
- The heat sink becomes very hot after use. Be careful not to touch it when removing this unit.



การเชื่อมโดยใช้ไฟฟ้า

เพื่อป้องกันการเกิดไฟฟ้าลัดวงจร ขอแนะนำให้ปลดขั้วแบตเตอรี่ลบออก แล้วจึงต่อสายไฟก่อนติดตั้งเครื่อง

• **ตรวจสอบให้แน่ใจว่าได้เดินสายดินต่อระหว่างเครื่องกับตัวถัง รถยนต์ใหม่แล้วหลังจากติดตั้ง**

หมายเหตุ:

- ใช้ฟิวส์ที่จำเพาะแทนฟิวส์ หากฟิวส์ขาดบ่อย ให้ปรึกษาร้านขายเครื่องเสียงรถยนต์ JVC
- ขอแนะนำให้ต่อลำโพง ที่มีกำลังขั้วสูงสุดเกินกว่า 50 W (ทั้งด้านหน้าและด้านหลัง มีค่าความต้านทาน **4 Ω ถึง 8 Ω**) ถ้ากำลังขั้วต่ำกว่า 50 W ให้เปลี่ยนค่า "AMP GAIN" เพื่อป้องกันไม่ให้ลำโพงชำรุด (ดูหน้า 23 คำแนะนำ)
- การป้องกันการลัดวงจร จะต้องพันขั้วสายตะกั่ว ที่ไม่ใช่แล้วด้วยเทป พันสายไฟ
- แผ่นระบายความร้อนจะร้อนมากหลังจากใช้ ระวังอย่าไป สัมผัสเมื่อถอดชุดประกอบน

A Typical Connections / การเชื่อมต่อแบบปกติ

Before connecting: Check the wiring in the vehicle carefully. Incorrect connection may cause serious damage to this unit.

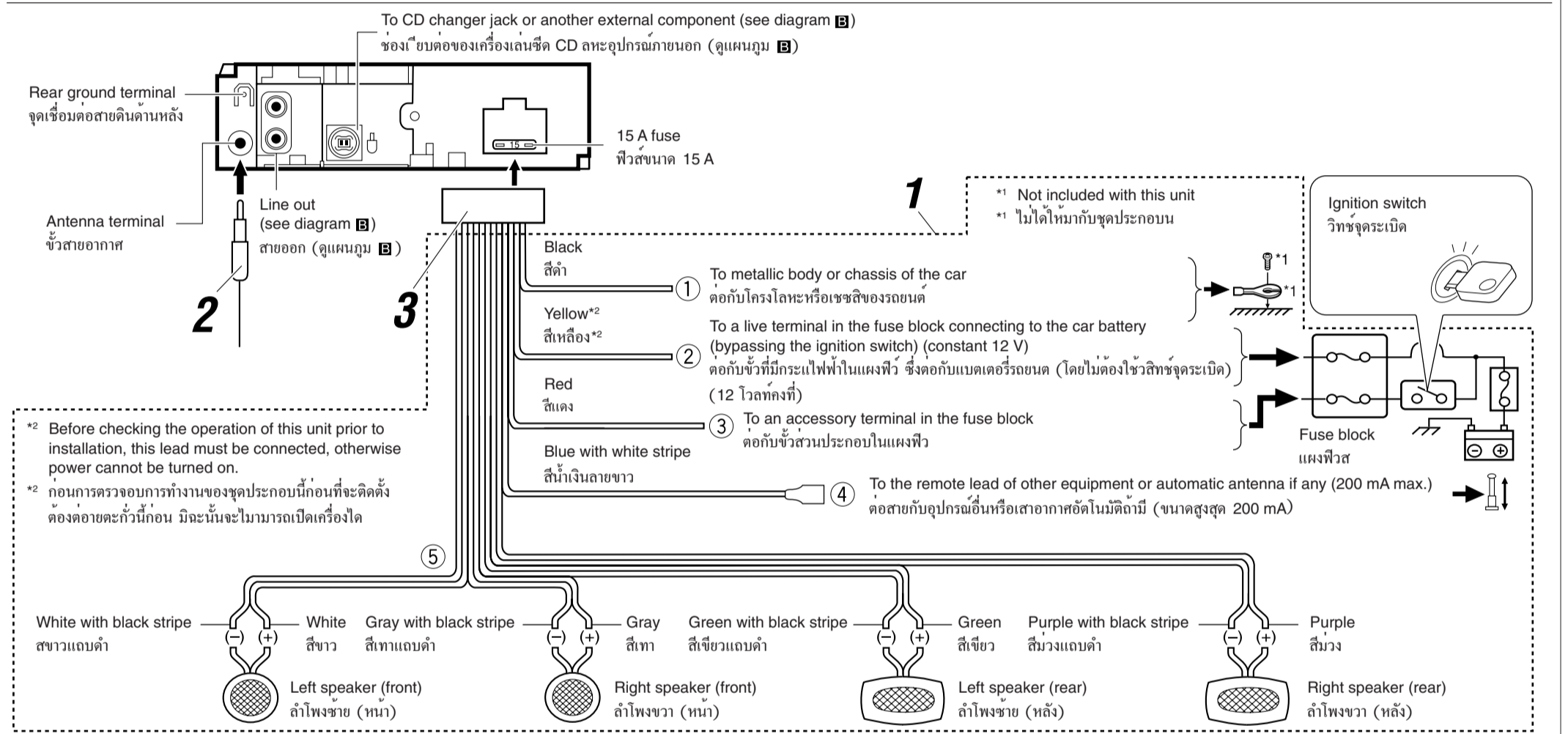
The leads of the power cord and those of the connector from the car body may be different in color.

- 1 Connect the colored leads of the power cord in the order specified in the illustration below.
- 2 Connect the antenna cord.
- 3 Finally connect the wiring harness to the unit.

ก่อนทำการเชื่อมต่อ: ตรวจสอบการเดินสายไฟในรถอย่างละเอียดเพื่อหลีกเลี่ยงความเสียหายร้ายแรงต่อชุดประกอบชุดนี้

สายไฟของชุดประกอบและสายไฟจากตัวรถอาจมีสีที่แตกต่างกัน

- 1 ต่อสายไฟตามลำดับที่ระบุในรูปด้านล่าง
- 2 เชื่อมต่อขั้วสายอากาศ
- 3 สุดท้าย ต่อส่วนควบคุมการเดินสายไฟเข้ากับชุดประกอบชุดนี้



B Connections Adding Other Equipment / การต่อเพิ่มเติมเข้ากับอุปกรณ์อื่น

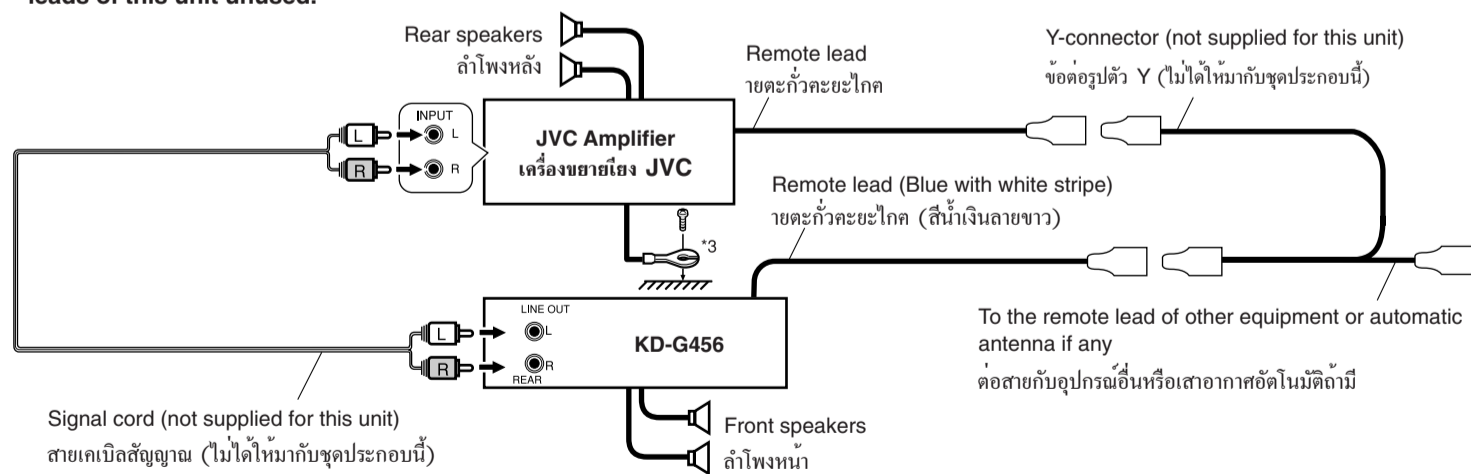
Amplifier / เครื่องขยาย

You can connect an amplifier and other equipment to upgrade your car stereo system.

- Connect the remote lead (blue with white stripe) to the remote lead of the other equipment so that it can be controlled through this unit.
- **Disconnect the speakers from this unit, connect them to the amplifier. Leave the speaker leads of this unit unused.**

คุณสามารถต่อกับแอมพลิฟายเออร์ และอุปกรณ์อื่นๆได้ เพื่อเพิ่มคุณภาพเสียงให้กับระบบสเตอริโอของรถยนต์

- ต่อสายตะกั่วระยะไกล (สีน้ำเงินลายขาว) เข้ากับสายตะกั่วระยะไกลของอุปกรณ์อื่น ๆ เพื่อจะสามารถควบคุมโดยชุดประกอบนี้ได้
- **ถอดลำโพงออกจากชุดประกอบนี้ แล้วต่อเข้ากับเครื่องขยาย ทั้งสายตะกั่วลำโพงของชุดประกอบนี้ไว้**



*3 Firmly attach the ground wire to the metallic body or to the chassis of the car—to the place not coated with paint (if coated with paint, remove the paint before attaching the wire). Failure to do so may cause damage to the unit.

*3 ต่อสายดินให้แน่นเข้ากับตัวถังเหล็ก หรือตัวถังรถ—ตรงส่วนที่ไม่เคลือบสี (หากมีเคลือบสีอยู่ ให้ขูดสีออกก่อนก่อนต่อสายดิน) หากไม่ปฏิบัติตามคำแนะนำนี้ เครื่องอาจชำรุดหรือเสียหายได้

CD Changer / เครื่องเล่นซีดี CD

Refer also to page 25 of the INSTRUCTIONS.

ดูคำแนะนำในหน้า 25

Connecting cord supplied for your CD changer

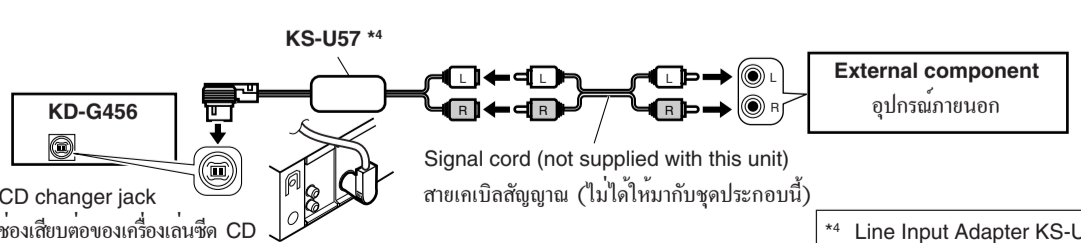
สายต่อใหม่พร้อมเครื่องเล่นซีดี



CAUTION / ข้อควรระวัง

- Before connecting the CD changer, make sure that the unit is turned off.
- ก่อนจะเชื่อมต่อเครื่องเล่นซีดี กรุณาตรวจสอบให้แน่ใจว่าเครื่องเล่นซีดีนั้นปิดอยู่

External Component / อุปกรณ์ภายนอก



Signal cord (not supplied with this unit)

สายเคเบิลสัญญาณ (ไม่ได้ให้มาพร้อมกับชุดประกอบนี้)

*4 Line Input Adapter KS-U57 (not supplied for this unit)

*4 อแดปเตอร์ ายสัญญาณเคเบิล KS-U57 (ไม่ได้ให้มาพร้อมกับชุดประกอบนี้)

JVC

SCHEMATIC DIAGRAMS

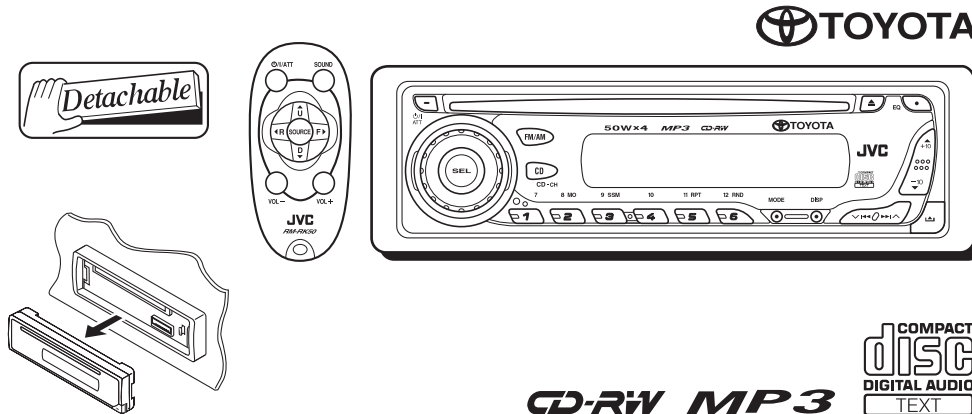
CD RECEIVER

KD-G456

CD-ROM No.SML200412

Area suffix


UH----- Thailand



Contents

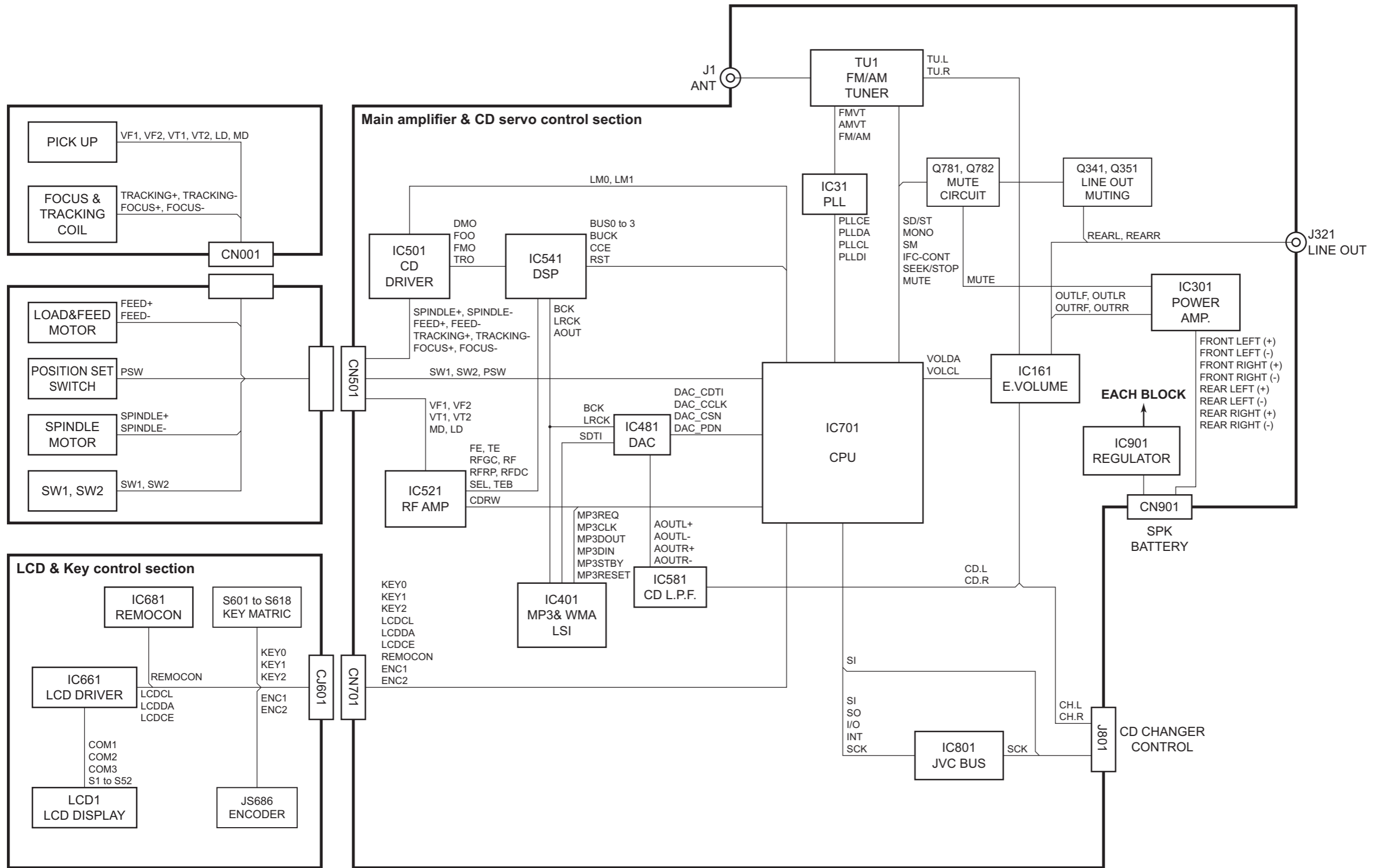
Block diagram	2-1
Standard schematic diagrams	2-2
Printed circuit boards	2-5 to 7

Safety precaution

 **CAUTION** Burrs formed during molding may be left over on some parts of the chassis. Therefore, pay attention to such burrs in the case of performing repair of this system.

 **CAUTION** Please use enough caution not to see the beam directly or touch it in case of an adjustment or operation check.

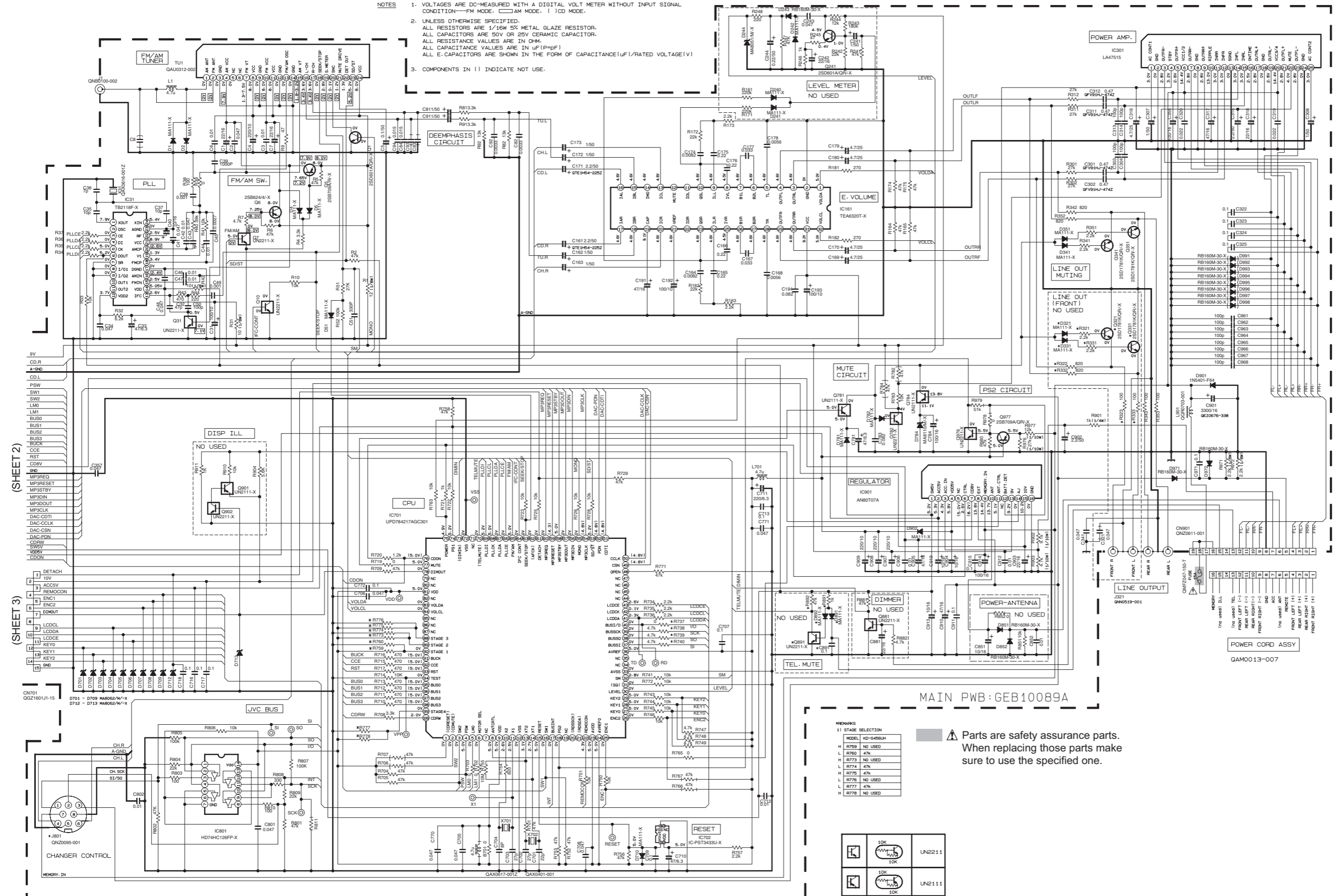
Block diagram



Standard schematic diagrams

■ Main amplifier section

- NOTES
1. VOLTAGES ARE DC-MEASURED WITH A DIGITAL VOLT METER WITHOUT INPUT SIGNAL CONDITION—FM MODE. () AM MODE. () CD MODE.
 2. UNLESS OTHERWISE SPECIFIED, ALL RESISTORS ARE 1/16W 5% METAL GLAZE RESISTOR. ALL CAPACITORS ARE 50V OR 25V CERAMIC CAPACITOR. ALL RESISTANCE VALUES ARE IN OHM. ALL CAPACITANCE VALUES ARE IN uF(P=PF) ALL E. CAPACITORS ARE SHOWN IN THE FORM OF CAPACITANCE(uF)/RATED VOLTAGE(V)
 3. COMPONENTS IN () INDICATE NOT USE.



(SHEET 2)

(SHEET 3)

MAIN PWB: GEB10089A

MEMO

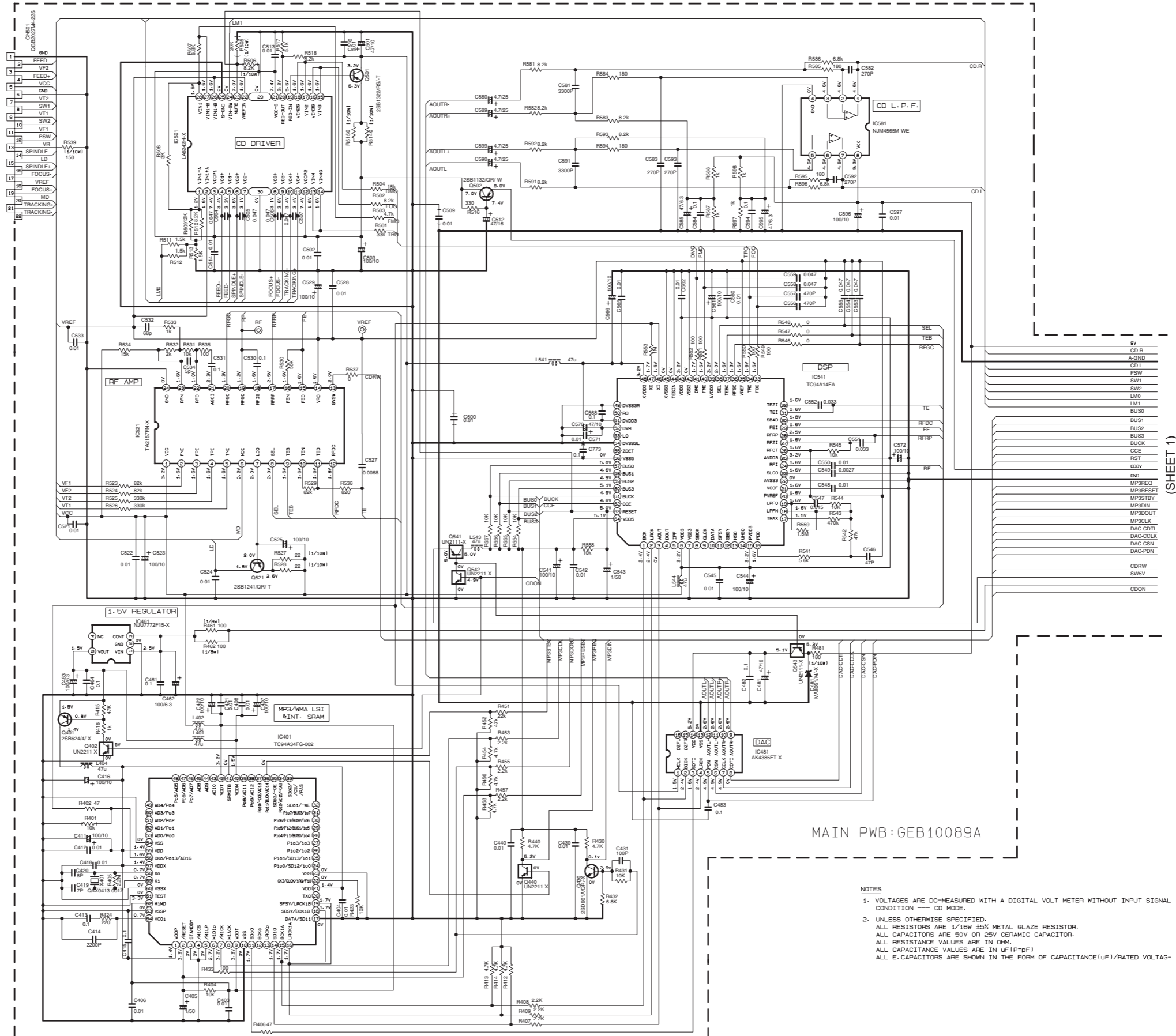
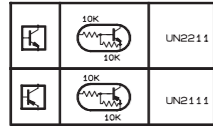
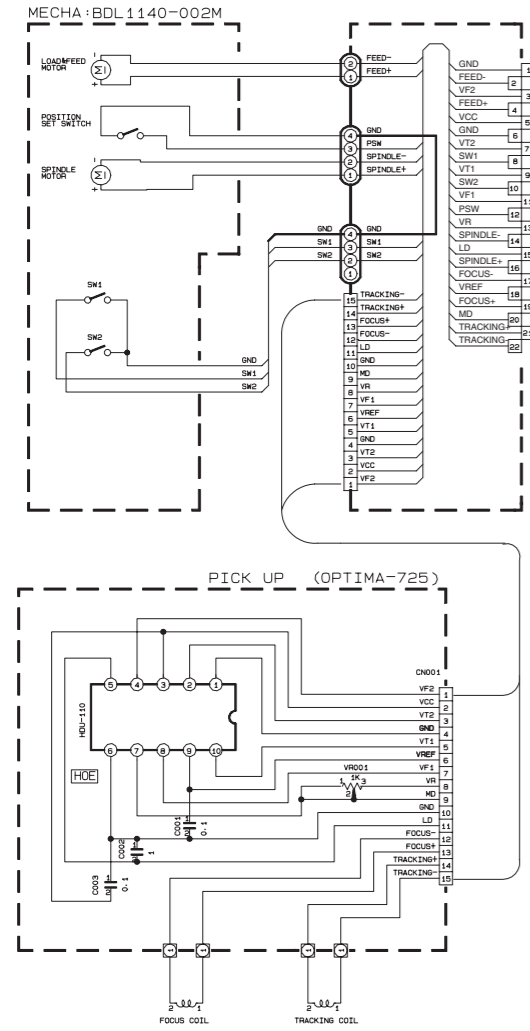
1) STAGE SELECTION

MODEL	KD-G456LM
H	R759 NO USED
L	R760 47K
H	R773 NO USED
L	R774 47K
H	R775 47K
L	R776 NO USED
H	R777 47K
L	R778 NO USED

▲ Parts are safety assurance parts. When replacing those parts make sure to use the specified one.

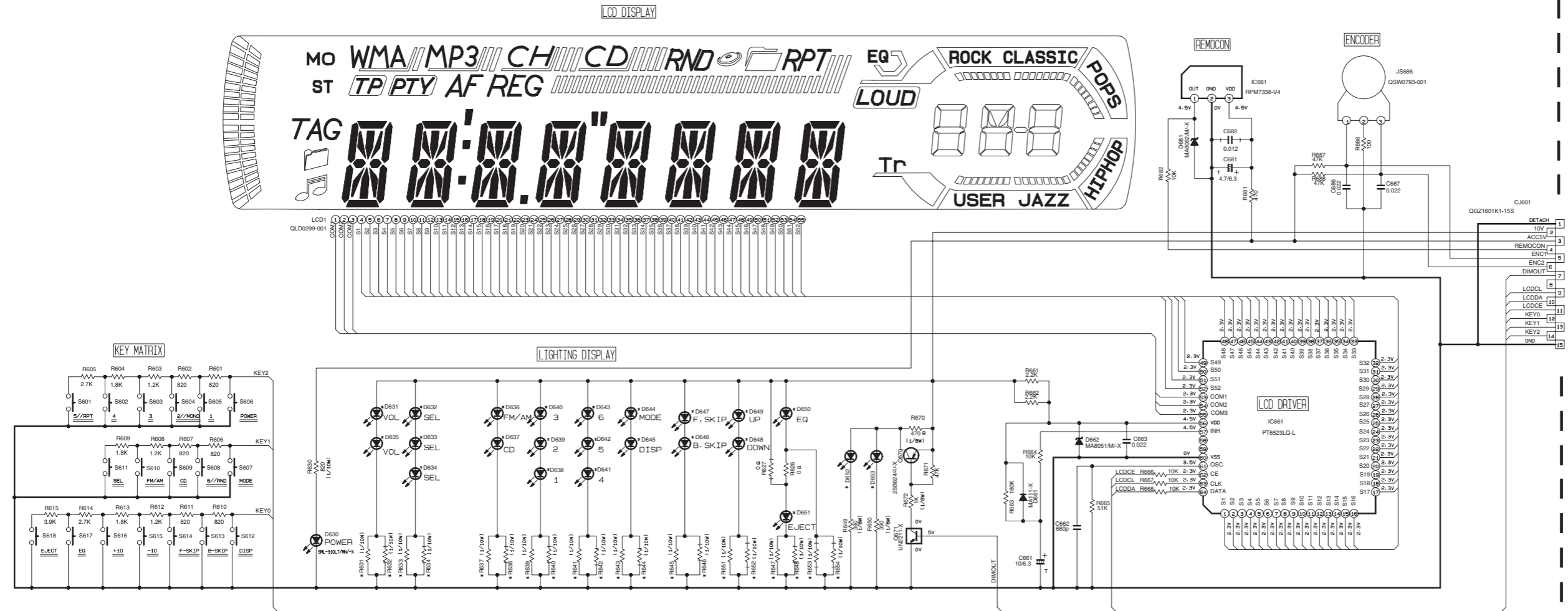
	10K	UN2211
	10K	UN2111

CD servo section



■ LCD & key control section

SW PWB : GEB10100A

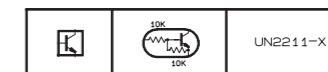


(SHEET 1)

*REMARKS

	MODEL	KD-G456UH
	LCD1	QLD0299-001
	D631-D635, D638-D643, D646-D651	LNJ308G81/1-3/X
FM/AM & CD	D636, D637	SML-310VT/JK/-X
MODE & DISP	D644, D645	LNJ308G81/1-3/X
	D652, D653	NSPW310BS/BRS/
POWER	R630	820
VOL	R631	470
SEL	R633	330
FM/AM & CD	R637	820
1. 2. 3	R639	330
4. 5. 6	R641	330
MODE & DISP	R643	470
(>>1, <<)	R645	470
EQ, E.J	R647	470
(UP, DOWN)	R651	470

SML-310VT/JK/-X : RED LED
LNJ308G81/1-3/X : GREEN LED



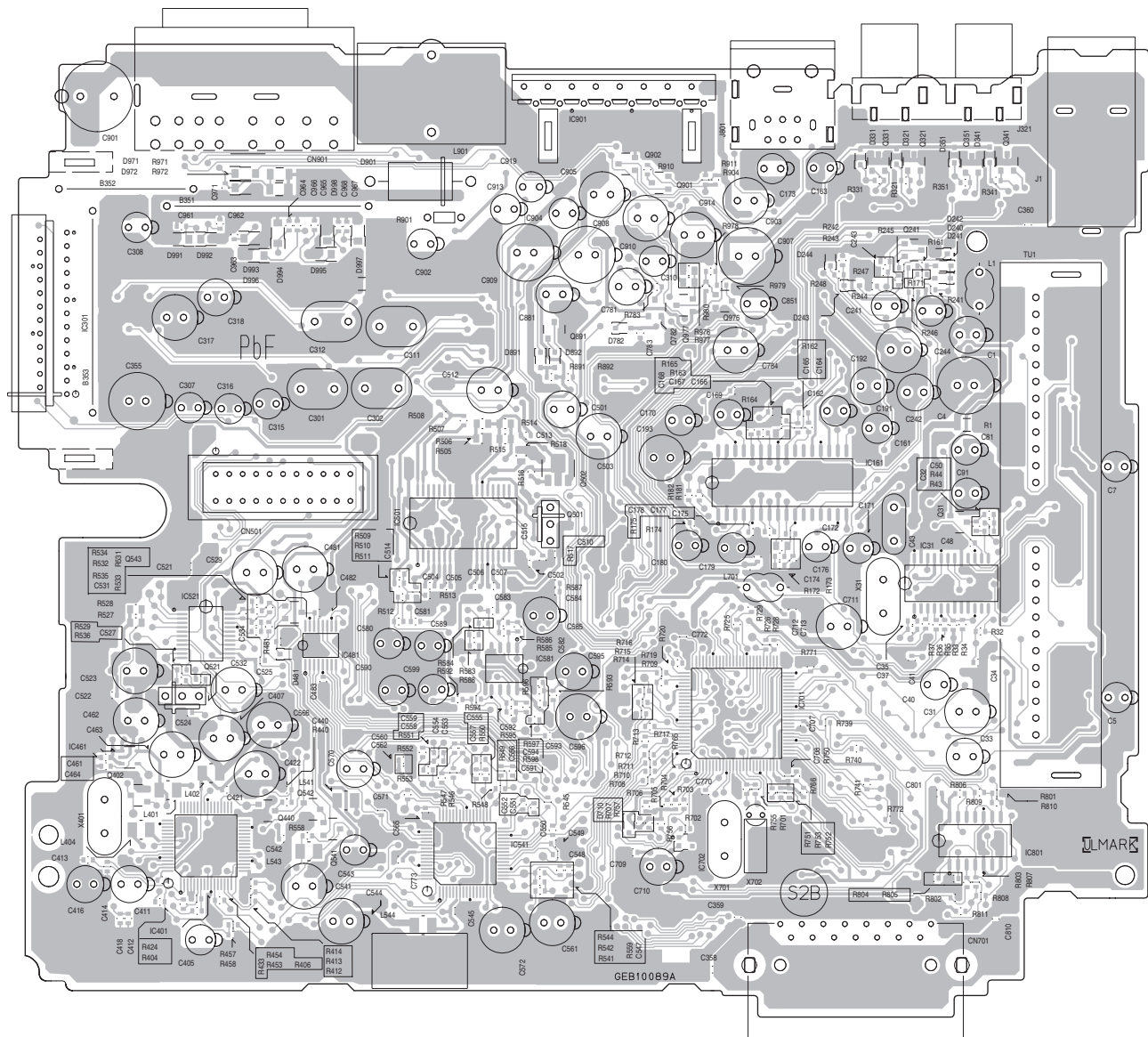
NOTES

- VOLTAGES ARE DC-MEASURED WITH A DIGITAL VOLT METER WITHOUT INPUT SIGNAL.
- UNLESS OTHERWISE SPECIFIED, ALL RESISTORS ARE 1/16W 15% METAL GLAZE RESISTOR. ALL CAPACITORS ARE 50V OR 25V CERAMIC CAPACITOR. ALL RESISTANCE VALUES ARE IN OHM. ALL CAPACITANCE VALUES ARE IN uF (P-PF). ALL E-CAPACITORS ARE SHOWN IN THE FORM OF CAPACITANCE(uF)/RATED VOLTAGE(V). T --- TANTALUM CAPACITOR.
- COMPONENTS IN () INDICATE NOT USE.

Printed circuit boards

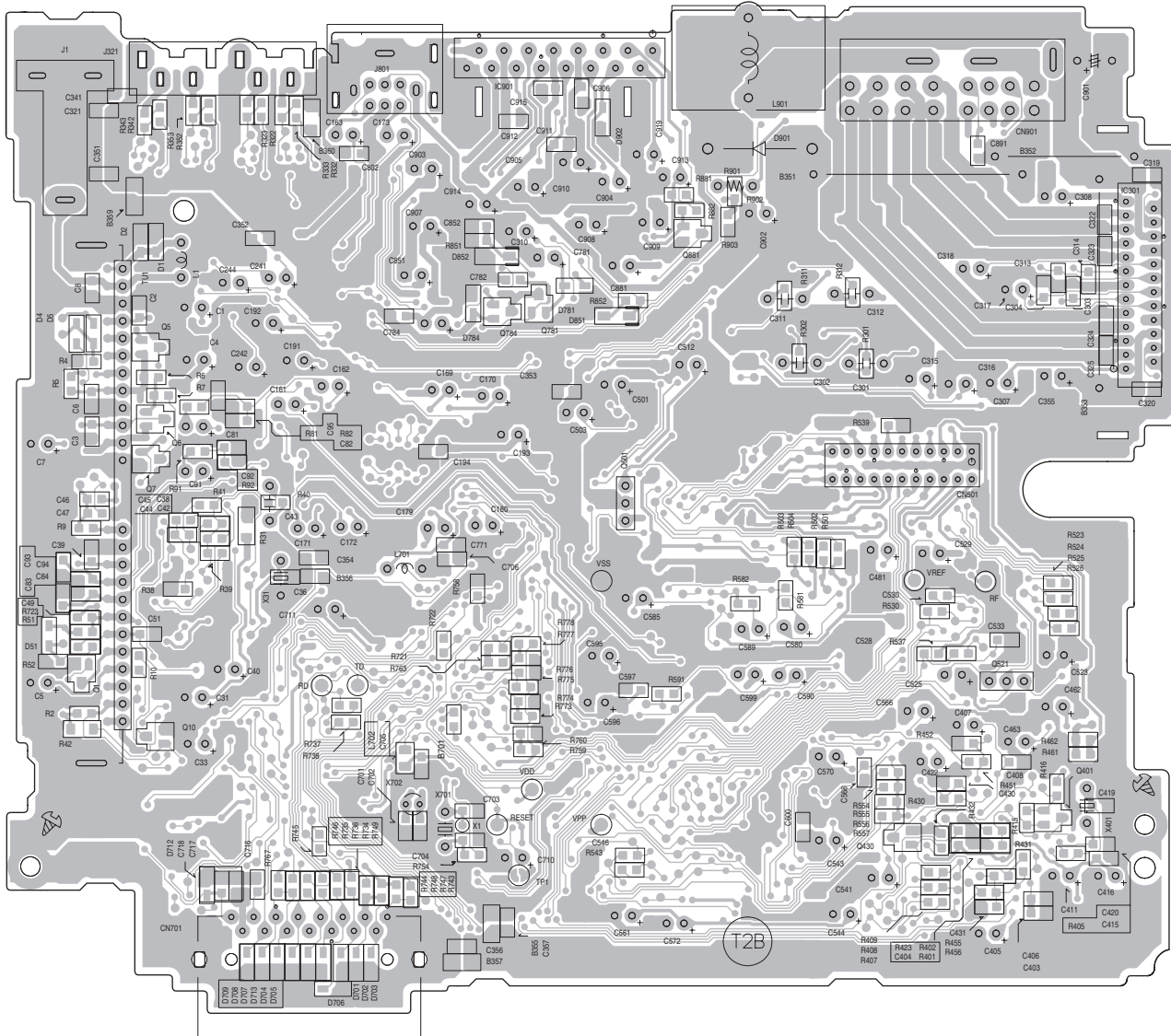
■ Main board

Forward side



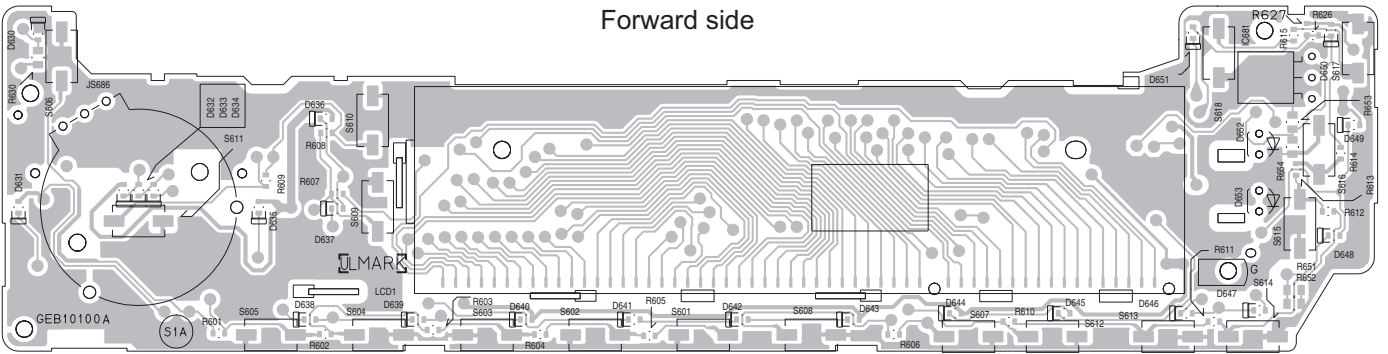
Main board

Reverse side

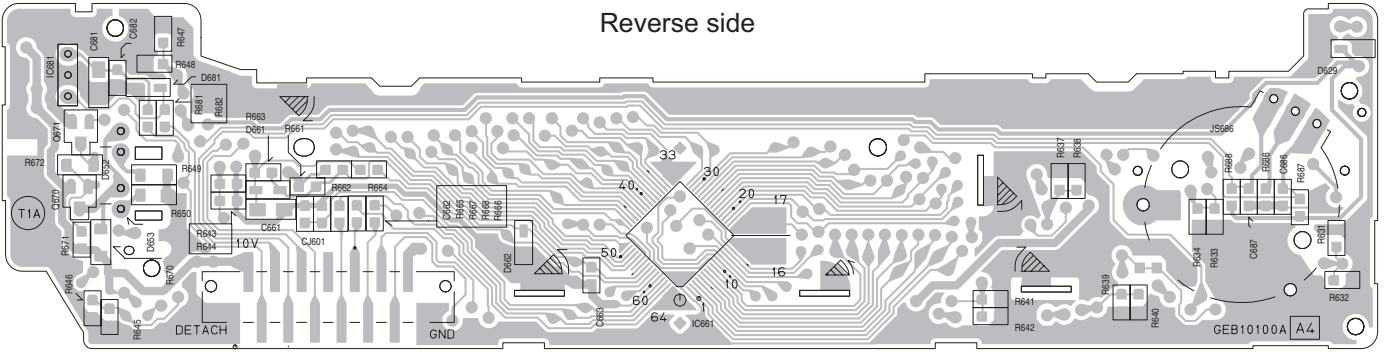


■ Switch board

Forward side



Reverse side



JVC

Victor Company of Japan, Limited

AV & MULTIMEDIA COMPANY CAR ELECTRONICS CATEGORY 10-1,1chome,Ohwatari-machi,Maebashi-city,371-8543,Japan

(No.MA143SCH)



Printed in Japan
VPT

PARTS LIST

[KD-G456]

* All printed circuit boards and its assemblies are not available as service parts.

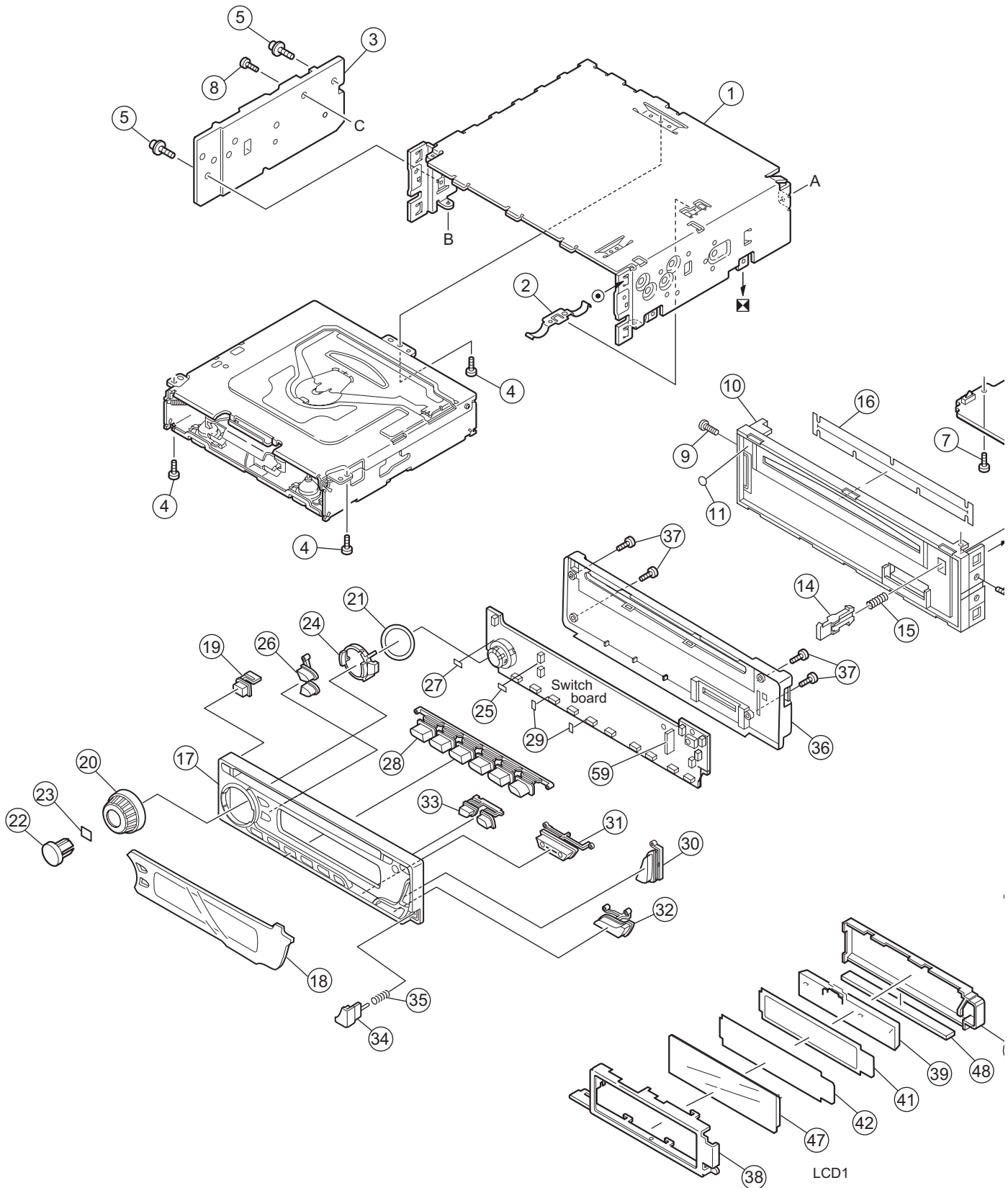
Area suffix
UH ----- Thailand

- Contents -

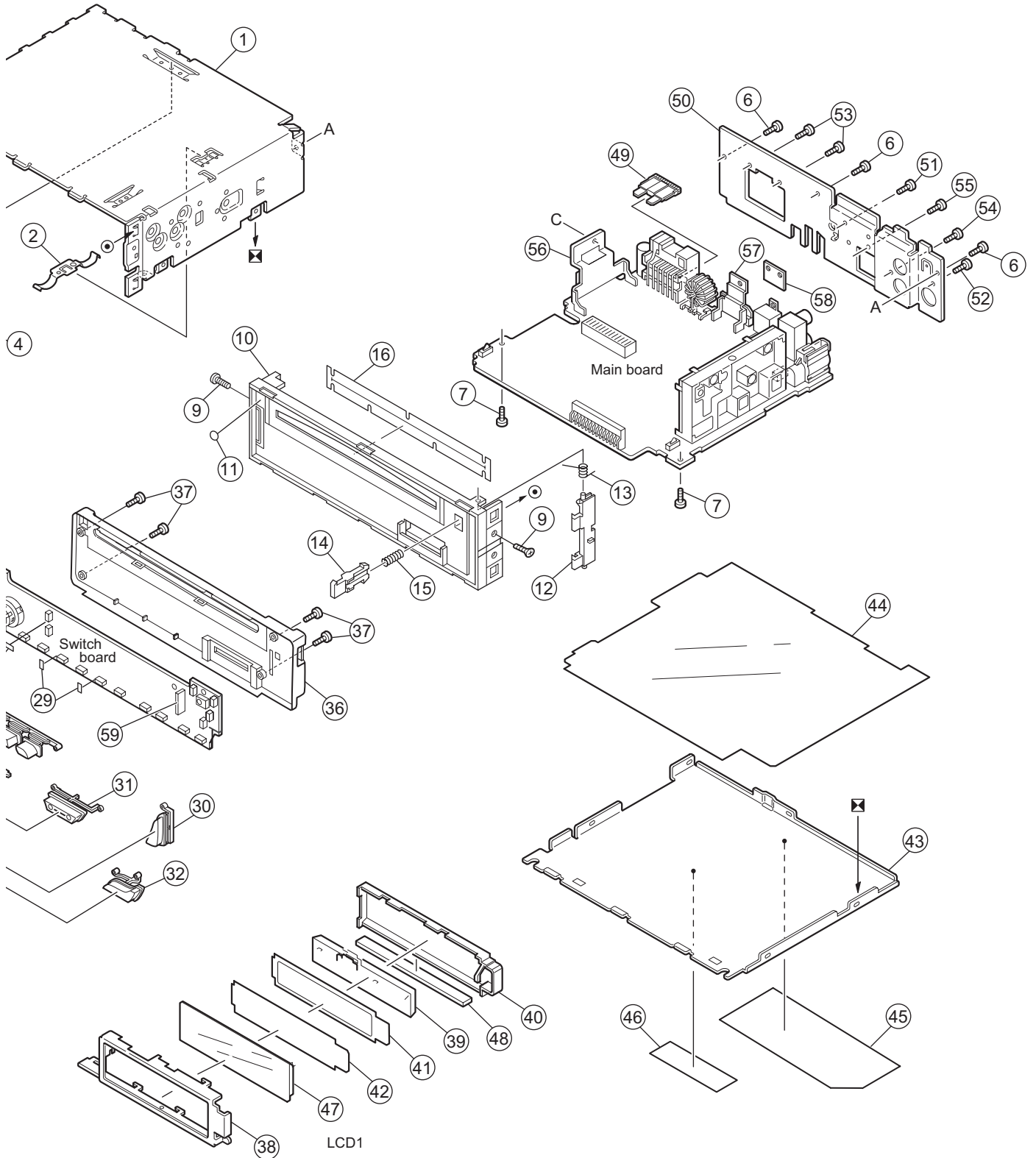
Exploded view of general assembly and parts list (Block No.M1)	3- 2
CD mechanism assembly and parts list (Block No.MB)	3- 5
Electrical parts list (Block No.01~02)	3- 7
Packing materials and accessories parts list (Block No.M3)	3-12

Exploded view of general assembly and parts list

Block No. **M 1 M M**



Block No. **M 1 M M**



General Assembly

Block No. [M][1][M][M]

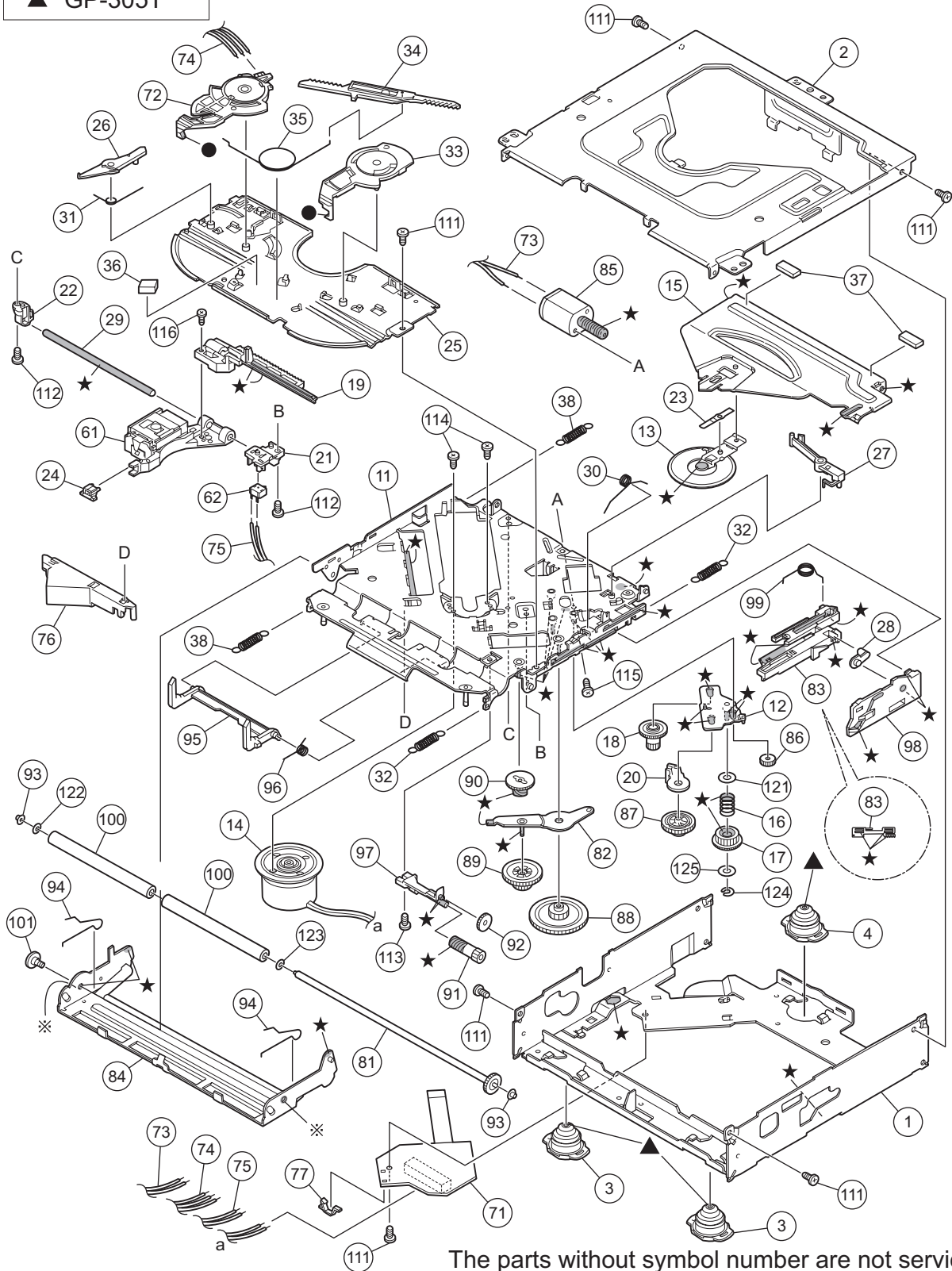
△	Symbol No.	Part No.	Part Name	Description	Local
	1	GE10043-210A	TOP CHASSIS		
	2	GE40135-001A	EARTH PLATE		
	3	GE30938-003A	SIDE PANEL		
	4	QYSDST2604ZA	TAP SCREW	M2.6 x 4mm(x3)	
	5	GE40235-001A	SCREW	(x2)	
	6	QYSDST2604ZA	TAP SCREW	M2.6 x 4mm(x3)	
	7	GE40235-004A	SCREW	(x2)	
	8	QYSDST2610ZA	TAP SCREW	M2.6 x 10mm	
	9	QYSDST2004ZA	TAP SCREW	M2 x 4mm(x2)	
	10	GE10079-007A	FRONT CHASSIS		
	11	FSYH4036-098	SHEET		
	12	GE31033-001A	LOCK LEVER		
	13	FSKW4005-003	TORSION SPRING		
	14	GE31034-001A	RLS KNOB		
	15	GE40202-005A	COMP.SPRING		
	16	GE40156-001A	BLIND		
	17	GE10077-001A	FRONT PANEL		
	18	GE31031-056A	FINDER ASSY		
	19	GE31027-001A	POWER BUTTON		
	20	GE31038-003A	VOLUME KNOB		
	21	GE40218-002A	SHEET		
	22	GE31039-003A	SEL BUTTON		
	23	FSYH4036-053	SHEET		
	24	GE31040-001A	RIM LENS		
	25	FSYH4036-069	SHEET		
	26	GE31029-001A	D.FUNC BTN		
	27	FSYH4036-069	SHEET		
	28	GE20161-001A	PRESET BUTTON		
	29	FSYH4036-069	SHEET	(x2)	
	30	GE31024-001A	UP/DOWN BTN		
	31	GE31028-003A	SSM BTN		
	32	GE31025-001A	SEARCH BTN		
	33	GE31026-001A	EJECT BUTTON		
	34	GE31032-002A	DETACH BTN		
	35	GE40202-003A	COMP.SPRING		
	36	GE10078-007A	REAR COVER		
	37	VKZ4777-010	MINI SCREW	(x4)	
	38	GE31021-001A	LCD CASE		
	39	GE31022-002A	LCD LENS		
	40	GE31023-001A	LENS CASE		
	41	GE40199-001A	LIGHTING SHEET		
	42	GE40199-002A	LIGHTING SHEET		
	43	GE30393-002A	BOTTOM COVER		
	44	FSMA3004-203	INSULATOR		
	45	GE31649-001A	NAME PLATE		
	46	LV41843-002A	LASER CAUTION		
	47	QLD0299-001	LCD MODULE		
	48	QNZ0443-001	LCD CONNECTOR		
△	49	QMFZ047-150-T	FUSE	15A	
	50	GE30912-019A	REAR BRACKET		
	51	QYSDST2606ZA	TAP SCREW	M2.6 x 6mm	
	52	QYSDST2606ZA	TAP SCREW	M2.6 x 6mm	
	53	QYSDSF2606ZA	TAP SCREW	M2.6 x 6mm(x2)	
	54	QYSDSF2606ZA	TAP SCREW	M2.6 x 6mm	
	55	QYSDST2606ZA	TAP SCREW	M2.6 x 6mm	
	56	GE40172-004A	IC BRACKET		
	57	GE40103-003A	REG BRACKET		
	58	GE40107-002A	HEAT SINK		
	59	GE30854-001A	LED HOLDER		

CD mechanism assembly and parts list

Block No. M B M M

- Grease
- ★ TNG-87
 - ※ GP-501MK
 - CFD-005Z
 - ▲ GP-305T

TN-2001-1011



CD mechanism

Block No. [M][B][M][M]

△	Symbol No.	Part No.	Part Name	Description	Local
	1	30320101T	FRAME		
	2	30320102T	TOP COVER		
	3	30320115T	DANPER F		
	4	30320116T	DANPER R		
	11	303205505T	CHASSIS RIVET		
	12	303205503T	CHANGE P. RVT A		
	13	303205301T	CLAMPER ASS'Y		
	14	303205302T	SPINDLE MOTOR A		
	15	30320502T	CLAMPER ARM		
	16	30320503T	CHANGE GEAR SPG		
	17	30320505T	CHANGE GEAR 2		
	18	30320506T	FEED GEAR		
	19	30320507T	FEED RACK		
	20	30320509T	CHANGE LOCK RAR		
	21	30320510T	FEED SW HOLDER		
	22	30320511T	PU SHAFT HOLDER		
	23	30320513T	CLAMPER SUB SPG		
	24	30320514T	FD SUB HOLDER		
	25	30320518T	TOP PLATE		
	26	30320519T	SELECT LOCK ARM		
	27	30320520T	TRIGGER ARM		
	28	30320521T	SLIDE HOOK		
	29	30320522T	PU SHAFT		
	30	30320525T	CLAMPER ARM SPG		
	31	30320526T	SELECT L ARM SP		
	32	30320538T	SUSPENSION SP R		
	33	30320529T	SELECT ARM R		
	34	30320530T	LINK PLATE		
	35	30320531T	LINK PLATE SPG		
	36	30320523T	CUSHION F		
	37	30320524T	CUSHION R		
	38	30320539T	SUSPENSION SP L		
	61	69011614T	PICKUP OPT-725		
	62	64180406T	DET SW ESE22		
	71	303210301T	CONN PWB ASS'Y		
	72	30321002T	MODE SW		
	73	30321003T	LOAD MOTOR WIRE		
	74	30321005T	MODE SW WIRE		
	75	30321009T	SL WIRE		
	76	30321011T	WIRE HOLDER		
	77	19501403T	WIRE CLUMPER		
	81	303211301T	ROLLER SHAFT AS		
	82	303211501T	L GEAR PLATE RV		
	83	303211302T	LOADING PLATE A		
	84	303211502T	LOCK ARM RV ASS		
	85	303211303T	L/F MOTOR ASSY		
	86	30321101T	LOADING GEAR 1		
	87	30321102T	LOADING GEAR 2		
	88	30321103T	LOADING GEAR 3		
	89	30321104T	LOADING GEAR 4		
	90	30321105T	LOADING GEAR 5		
	91	30321106T	LOADING GEAR 6		
	92	30321107T	LOADING GEAR 7		
	93	30321149T	ROLLER GUIDE		
	94	30321114T	ROLLER GUIDE SP		
	95	30321116T	DISC STOPPER AR		
	96	30321117T	DISC ST ARM SPG		
	97	30321118T	LD GEAR BRACKET		
	98	30321125T	L SIDE PLATE		
	99	30321131T	LOAD PLATE SPG		
	100	30321133T	LDG ROLLER		
	101	18211223T	COLLAR SCREW		
	111	9P0420031T	SCREW		
	112	9P0420041T	TAP.SCREW		
	113	9B0320041T	SCREW		
	114	9C0117183T	SCREW		
	115	9C0120203T	SCREW		
	116	9C0317503T	SCREW		
	121	9W0130170T	PW 3.5X8X0.3		
	122	9W0513060T	HL WASHER		
	123	9W0710070T	L WASHER		
	124	9E0100152T	E RING		
	125	9W0113020T	PW 2.1X4X0.13		

Electrical parts list

Main board

Block No. [0][1]

△ Symbol No.	Part No.	Part Name	Description	Local
IC31	TB2118F-X	PLL IC		
IC161	TEA6320T-X	IC		
IC301	LA47515	IC		
IC401	TC94A34FG-002	IC		
IC461	NJU772F15-X	IC		
IC481	AK4385ET-X	IC		
IC501	LA6242H-X	IC		
IC521	TA2157FN-X	RF AMP IC		
IC541	TC94A14FA	CD LSI IC		
IC581	NJM4565M-WE	IC		
IC701	UPD784217AGC301	IC		
IC702	IC-PST3433U-X	IC		
IC801	HD74HC126FP-X	IC		
IC901	AN80T07A	REGULATOR IC		
Q1	2SD601A/QR/-X	TRANSISTOR		
Q5	2SB709A/R/-X	TRANSISTOR		
Q6	2SB624/4/-X	TRANSISTOR		
Q7	UN2211-X	TRANSISTOR		
Q10	UN2211-X	TRANSISTOR		
Q31	UN2211-X	TRANSISTOR		
Q341	2SD1781K/QR/-X	TRANSISTOR		
Q351	2SD1781K/QR/-X	TRANSISTOR		
Q401	2SB624/4/-X	TRANSISTOR		
Q402	UN2211-X	TRANSISTOR		
Q430	2SD601A/QR/-X	TRANSISTOR		
Q440	UN2211-X	TRANSISTOR		
Q501	2SB1322/RS/-T	TRANSISTOR		
Q502	2SB1132/QR/-W	TRANSISTOR		
Q521	2SB1241/QR/-T	TRANSISTOR		
Q541	UN2111-X	TRANSISTOR		
Q542	UN2211-X	TRANSISTOR		
Q543	UN2111-X	TRANSISTOR		
Q781	UN2111-X	TRANSISTOR		
Q782	UN2211-X	TRANSISTOR		
Q784	UN2111-X	TRANSISTOR		
Q976	UN2211-X	TRANSISTOR		
Q977	2SB709A/QR/-X	TRANSISTOR		
D1	MA111-X	SI DIODE		
D2	MA111-X	SI DIODE		
D4	MA111-X	SI DIODE		
D5	MA111-X	SI DIODE		
D51	MA111-X	SI DIODE		
D341	MA111-X	SI DIODE		
D351	MA111-X	SI DIODE		
D481	MA8051/M/-X	Z DIODE		
D701	MA8062/M/-X	Z DIODE		
D702	MA8062/M/-X	Z DIODE		
D703	MA8062/M/-X	Z DIODE		
D704	MA8062/M/-X	Z DIODE		
D705	MA8062/M/-X	Z DIODE		
D706	MA8062/M/-X	Z DIODE		
D707	MA8062/M/-X	Z DIODE		
D708	MA8062/M/-X	Z DIODE		
D709	MA8062/M/-X	Z DIODE		
D710	MA111-X	SI DIODE		
D712	MA8062/M/-X	Z DIODE		
D713	MA8062/M/-X	Z DIODE		
D781	MA111-X	SI DIODE		
D782	MA111-X	SI DIODE		
D784	MA8110/M/-X	ZENER DIODE		
D901	1N5401-F64	DIODE		
D902	MA111-X	SI DIODE		
D971	RB160M-30-X	SB DIODE		
D972	RB160M-30-X	SB DIODE		
C1	QEKJ1CM-226Z	E CAPACITOR	22uF 16V M	
C2	NCB31EK-473X	C CAPACITOR	0.047uF 25V K	
C3	NCB31EK-103X	C CAPACITOR	0.01uF 25V K	
C4	QEKJ1AM-227Z	E CAPACITOR	220uF 10V M	
C5	QERF1HM-224Z	E CAPACITOR	0.22uF 50V M	

△ Symbol No.	Part No.	Part Name	Description	Local
C6	NCB31HK-103X	C CAPACITOR	0.01uF 50V K	
C7	QEKJ1CM-226Z	E CAPACITOR	22uF 16V M	
C31	QEKJ1AM-107Z	E CAPACITOR	100uF 10V M	
C32	NDC31HJ-470X	C CAPACITOR	47pF 50V J	
C33	QEKJ0JM-476Z	E CAPACITOR	47uF 6.3V M	
C34	NCB31EK-473X	C CAPACITOR	0.047uF 25V K	
C35	NDC31HJ-100X	C CAPACITOR	10pF 50V J	
C36	NDC31HJ-7R0X	C CAPACITOR	7pF 50V J	
C37	NDC31HJ-100X	C CAPACITOR	10pF 50V J	
C38	NCB31HK-102X	C CAPACITOR	1000pF 50V K	
C39	NCB31HK-102X	C CAPACITOR	1000pF 50V K	
C40	QEKJ1CM-106Z	E CAPACITOR	10uF 16V M	
C41	NCB31EK-473X	C CAPACITOR	0.047uF 25V K	
C42	NCB31HK-103X	C CAPACITOR	0.01uF 50V K	
C43	QFV61HJ-473Z	MF CAPACITOR	0.047uF 50V J	
C44	NCB31HK-103X	C CAPACITOR	0.01uF 50V K	
C45	NCB31HK-272X	C CAPACITOR	2700pF 50V K	
C46	NCB31HK-103X	C CAPACITOR	0.01uF 50V K	
C47	NCB31HK-103X	C CAPACITOR	0.01uF 50V K	
C48	NCB31EK-473X	C CAPACITOR	0.047uF 25V K	
C49	NCB31HK-102X	C CAPACITOR	1000pF 50V K	
C50	NDC31HJ-101X	C CAPACITOR	100pF 50V J	
C51	NDC31HJ-331X	C CAPACITOR	330pF 50V J	
C81	QEKJ1HM-105Z	E CAPACITOR	1uF 50V M	
C82	NCB31HK-332X	C CAPACITOR	3300pF 50V K	
C84	NCB31HK-153X	C CAPACITOR	0.015uF 50V K	
C91	QEKJ1HM-105Z	E CAPACITOR	1uF 50V M	
C92	NCB31HK-332X	C CAPACITOR	3300pF 50V K	
C94	NCB31HK-153X	C CAPACITOR	0.015uF 50V K	
C161	QTE1H54-225Z	E CAPACITOR	2.2uF 50V	
C162	QEKJ1HM-105Z	E CAPACITOR	1uF 50V M	
C163	QEKJ1HM-105Z	E CAPACITOR	1uF 50V M	
C164	NCB31HK-822X	C CAPACITOR	8200pF 50V K	
C165	NCB31AK-224X	C CAPACITOR	0.22uF 10V K	
C166	NCB21CK-224X	C CAPACITOR	0.22uF 16V K	
C167	NCB31EK-333X	C CAPACITOR	0.033uF 25V K	
C168	NCB31HK-562X	C CAPACITOR	5600pF 50V K	
C169	QEKJ1EM-475Z	E CAPACITOR	4.7uF 25V M	
C170	QEKJ1EM-475Z	E CAPACITOR	4.7uF 25V M	
C171	QTE1H54-225Z	E CAPACITOR	2.2uF 50V	
C172	QEKJ1HM-105Z	E CAPACITOR	1uF 50V M	
C173	QEKJ1HM-105Z	E CAPACITOR	1uF 50V M	
C174	NCB31HK-822X	C CAPACITOR	8200pF 50V K	
C175	NCB31AK-224X	C CAPACITOR	0.22uF 10V K	
C176	NCB21CK-224X	C CAPACITOR	0.22uF 16V K	
C177	NCB31EK-333X	C CAPACITOR	0.033uF 25V K	
C178	NCB31HK-562X	C CAPACITOR	5600pF 50V K	
C179	QEKJ1EM-475Z	E CAPACITOR	4.7uF 25V M	
C180	QEKJ1EM-475Z	E CAPACITOR	4.7uF 25V M	
C191	QEKJ1CM-476Z	E CAPACITOR	47uF 16V M	
C192	QEKJ1AM-107Z	E CAPACITOR	100uF 10V M	
C193	QEKJ1AM-107Z	E CAPACITOR	100uF 10V M	
C194	NCB31EK-823X	C CAPACITOR	0.082uF 25V K	
C301	QFV91HJ-474Z	MF CAPACITOR	0.47uF 50V J	
C302	QFV91HJ-474Z	MF CAPACITOR	0.47uF 50V J	
C303	NDC31HJ-101X	C CAPACITOR	100pF 50V J	
C304	NDC31HJ-101X	C CAPACITOR	100pF 50V J	
C307	QEKJ1HM-105Z	E CAPACITOR	1uF 50V M	
C308	QEKJ1HM-105Z	E CAPACITOR	1uF 50V M	
C311	QFV91HJ-474Z	MF CAPACITOR	0.47uF 50V J	
C312	QFV91HJ-474Z	MF CAPACITOR	0.47uF 50V J	
C313	NDC31HJ-101X	C CAPACITOR	100pF 50V J	
C314	NDC31HJ-101X	C CAPACITOR	100pF 50V J	
C315	QEKJ1HM-225Z	E CAPACITOR	2.2uF 50V M	
C316	QEKJ1EM-475Z	E CAPACITOR	4.7uF 25V M	
C317	QEKJ1CM-476Z	E CAPACITOR	47uF 16V M	
C318	QEKJ1CM-226Z	E CAPACITOR	22uF 16V M	
C319	NCB31EK-223X	C CAPACITOR	0.022uF 25V K	
C320	NCB31EK-223X	C CAPACITOR	0.022uF 25V K	
C322	NCB31EK-104X	C CAPACITOR	0.1uF 25V K	
C323	NCB31EK-104X	C CAPACITOR	0.1uF 25V K	
C324	NCB31EK-104X	C CAPACITOR	0.1uF 25V K	
C325	NCB31EK-104X	C CAPACITOR	0.1uF 25V K	
C341	NCB31EK-473X	C CAPACITOR	0.047uF 25V K	
C355	QEKJ1CM-107Z	E CAPACITOR	100uF 16V M	
C357	NCB31EK-473X	C CAPACITOR	0.047uF 25V K	

△ Symbol No.	Part No.	Part Name	Description	Local	△ Symbol No.	Part No.	Part Name	Description	Local
C403	NCB31HK-103X	C CAPACITOR	0.01uF 50V K		C572	QERF1AM-107Z	E CAPACITOR	100uF 10V M	
C404	NCB31HK-103X	C CAPACITOR	0.01uF 50V K		C580	QEKJ1EM-475Z	E CAPACITOR	4.7uF 25V M	
C405	QERF1HM-105Z	E CAPACITOR	1uF 50V M		C581	NCB31HK-332X	C CAPACITOR	3300pF 50V K	
C406	NCB31EK-103X	C CAPACITOR	0.01uF 25V K		C582	NDC31HJ-271X	C CAPACITOR	270pF 50V J	
C407	QERF1AM-107Z	E CAPACITOR	100uF 10V M		C583	NDC31HJ-271X	C CAPACITOR	270pF 50V J	
C408	NCB31HK-103X	C CAPACITOR	0.01uF 50V K		C584	NCB31EK-104X	C CAPACITOR	0.1uF 25V K	
C411	QEKJ1AM-107Z	E CAPACITOR	100uF 10V M		C585	QEKJ0JM-476Z	E CAPACITOR	47uF 6.3V M	
C412	NCB31HK-103X	C CAPACITOR	0.01uF 50V K		C589	QEKJ1EM-475Z	E CAPACITOR	4.7uF 25V M	
C413	NCB31EK-104X	C CAPACITOR	0.1uF 25V K		C590	QEKJ1EM-475Z	E CAPACITOR	4.7uF 25V M	
C414	NCB31HK-222X	C CAPACITOR	2200pF 50V K		C591	NCB31HK-332X	C CAPACITOR	3300pF 50V K	
C415	NCB31EK-104X	C CAPACITOR	0.1uF 25V K		C592	NDC31HJ-271X	C CAPACITOR	270pF 50V J	
C416	QEKJ1AM-107Z	E CAPACITOR	100uF 10V M		C593	NDC31HJ-271X	C CAPACITOR	270pF 50V J	
C418	NCB31HK-103X	C CAPACITOR	0.01uF 50V K		C594	NCB31EK-104X	C CAPACITOR	0.1uF 25V K	
C419	NDC31HJ-7R0X	C CAPACITOR	7pF 50V J		C595	QEKJ0JM-476Z	E CAPACITOR	47uF 6.3V M	
C420	NDC31HJ-8R0X	C CAPACITOR	8pF 50V J		C596	QEKJ1AM-107Z	E CAPACITOR	100uF 10V M	
C421	NCB31HK-103X	C CAPACITOR	0.01uF 50V K		C597	NCB31HK-103X	C CAPACITOR	0.01uF 50V K	
C422	QEKJ1AM-107Z	E CAPACITOR	100uF 10V M		C599	QEKJ1EM-475Z	E CAPACITOR	4.7uF 25V M	
C430	NCB31HK-103X	C CAPACITOR	0.01uF 50V K		C701	NDC31HJ-220X	C CAPACITOR	22pF 50V J	
C431	NDC31HJ-101X	C CAPACITOR	100pF 50V J		C702	NDC31HJ-270X	C CAPACITOR	27pF 50V J	
C440	NCB31HK-103X	C CAPACITOR	0.01uF 50V K		C703	NDC31HJ-270X	C CAPACITOR	27pF 50V J	
C461	NCB31EK-104X	C CAPACITOR	0.1uF 25V K		C704	NDC31HJ-8R0X	C CAPACITOR	8pF 50V J	
C462	QEKJ0JM-107Z	E CAPACITOR	100uF 6.3V M		C705	NCB31EK-473X	C CAPACITOR	0.047uF 25V K	
C463	QEKJ0JM-107Z	E CAPACITOR	100uF 6.3V M		C706	NCB31EK-473X	C CAPACITOR	0.047uF 25V K	
C464	NCB31EK-104X	C CAPACITOR	0.1uF 25V K		C707	NCB31EK-104X	C CAPACITOR	0.1uF 25V K	
C481	QERF1CM-476Z	E CAPACITOR	47uF 16V M		C708	NCB31EK-473X	C CAPACITOR	0.047uF 25V K	
C482	NCB31EK-104X	C CAPACITOR	0.1uF 25V K		C709	NCB31EK-104X	C CAPACITOR	0.1uF 25V K	
C483	NCB31EK-104X	C CAPACITOR	0.1uF 25V K		C710	QERF0JM-476Z	E CAPACITOR	47uF 6.3V M	
C501	QERF1AM-476Z	E CAPACITOR	47uF 10V M		C711	QEKJ0JM-227Z	E CAPACITOR	220uF 6.3V M	
C502	NCB31HK-103X	C CAPACITOR	0.01uF 50V K		C712	NCB31HK-103X	C CAPACITOR	0.01uF 50V K	
C503	QEKJ1AM-107Z	E CAPACITOR	100uF 10V M		C713	NCB31EK-104X	C CAPACITOR	0.1uF 25V K	
C504	NCB31EK-473X	C CAPACITOR	0.047uF 25V K		C716	NCB31EK-104X	C CAPACITOR	0.1uF 25V K	
C505	NCB31EK-473X	C CAPACITOR	0.047uF 25V K		C717	NCB31EK-104X	C CAPACITOR	0.1uF 25V K	
C506	NCB31EK-473X	C CAPACITOR	0.047uF 25V K		C718	NCB31EK-104X	C CAPACITOR	0.1uF 25V K	
C507	NCB31EK-473X	C CAPACITOR	0.047uF 25V K		C770	NCB31EK-473X	C CAPACITOR	0.047uF 25V K	
C510	NCB31EK-103X	C CAPACITOR	0.01uF 25V K		C771	NCB31EK-473X	C CAPACITOR	0.047uF 25V K	
C512	QERF1CM-476Z	E CAPACITOR	47uF 16V M		C772	NCB31EK-104X	C CAPACITOR	0.1uF 25V K	
C513	NCB31EK-103X	C CAPACITOR	0.01uF 25V K		C781	QEKJ0JM-476Z	E CAPACITOR	47uF 6.3V M	
C514	NCB31EK-103X	C CAPACITOR	0.01uF 25V K		C783	NCB31EK-823X	C CAPACITOR	0.082uF 25V K	
C521	NCB31HK-103X	C CAPACITOR	0.01uF 50V K		C784	QEKJ1CM-107Z	E CAPACITOR	100uF 16V M	
C522	NCB31HK-103X	C CAPACITOR	0.01uF 50V K		C801	NCB31EK-473X	C CAPACITOR	0.047uF 25V K	
C523	QEKJ1AM-107Z	E CAPACITOR	100uF 10V M		C802	NCB31HK-103X	C CAPACITOR	0.01uF 50V K	
C524	NCB31HK-103X	C CAPACITOR	0.01uF 50V K		C901	QE20676-338	E CAPACITOR	3300uF	
C525	QEKJ1AM-107Z	E CAPACITOR	100uF 10V M		C902	QEKJ1HM-225Z	E CAPACITOR	2.2uF 50V M	
C527	NCB31HK-682X	C CAPACITOR	6800pF 50V K		C903	QEKJ1CM-226Z	E CAPACITOR	22uF 16V M	
C528	NCB31HK-103X	C CAPACITOR	0.01uF 50V K		C904	QEKJ1CM-106Z	E CAPACITOR	10uF 16V M	
C529	QEKJ1AM-107Z	E CAPACITOR	100uF 10V M		C905	QEKJ1CM-476Z	E CAPACITOR	47uF 16V M	
C530	NCB31EK-104X	C CAPACITOR	0.1uF 25V K		C906	NCB31HK-103X	C CAPACITOR	0.01uF 50V K	
C531	NCB31EK-104X	C CAPACITOR	0.1uF 25V K		C907	QEKJ1AM-227Z	E CAPACITOR	220uF 10V M	
C532	NDC31HJ-680X	C CAPACITOR	68pF 50V J		C908	QEKJ1AM-227Z	E CAPACITOR	220uF 10V M	
C533	NCB31HK-103X	C CAPACITOR	0.01uF 50V K		C909	QEKJ1AM-227Z	E CAPACITOR	220uF 10V M	
C534	NDC31HJ-5R0X	C CAPACITOR	5pF 50V J		C910	QEKJ1CM-476Z	E CAPACITOR	47uF 16V M	
C541	QEKJ1AM-107Z	E CAPACITOR	100uF 10V M		C911	NCB31CK-104X	C CAPACITOR	0.1uF 16V K	
C542	NCB31HK-103X	C CAPACITOR	0.01uF 50V K		C912	NCB31HK-103X	C CAPACITOR	0.01uF 50V K	
C543	QEKJ1HM-105Z	E CAPACITOR	1uF 50V M		C913	QEKJ1CM-106Z	E CAPACITOR	10uF 16V M	
C544	QEKJ1AM-107Z	E CAPACITOR	100uF 10V M		C914	QEKJ1CM-107Z	E CAPACITOR	100uF 16V M	
C545	NCB31HK-103X	C CAPACITOR	0.01uF 50V K		C915	NCB31CK-104X	C CAPACITOR	0.1uF 16V K	
C546	NDC31HJ-470X	C CAPACITOR	47pF 50V J		C919	QEKJ1CM-106Z	E CAPACITOR	10uF 16V M	
C547	NCB31HK-153X	C CAPACITOR	0.015uF 50V K		C961	NDC31HJ-101X	C CAPACITOR	100pF 50V J	
C548	NCB31HK-103X	C CAPACITOR	0.01uF 50V K		C962	NDC31HJ-101X	C CAPACITOR	100pF 50V J	
C549	NCB31HK-272X	C CAPACITOR	2700pF 50V K		C963	NDC31HJ-101X	C CAPACITOR	100pF 50V J	
C550	NCB31HK-103X	C CAPACITOR	0.01uF 50V K		C964	NDC31HJ-101X	C CAPACITOR	100pF 50V J	
C551	NCB31EK-333X	C CAPACITOR	0.033uF 25V K		C965	NDC31HJ-101X	C CAPACITOR	100pF 50V J	
C552	NCB31EK-333X	C CAPACITOR	0.033uF 25V K		C966	NDC31HJ-101X	C CAPACITOR	100pF 50V J	
C553	NCB31EK-473X	C CAPACITOR	0.047uF 25V K		C967	NDC31HJ-101X	C CAPACITOR	100pF 50V J	
C554	NCB31EK-473X	C CAPACITOR	0.047uF 25V K		C968	NDC31HJ-101X	C CAPACITOR	100pF 50V J	
C555	NCB31EK-473X	C CAPACITOR	0.047uF 25V K		C971	NCB31EK-104X	C CAPACITOR	0.1uF 25V K	
C556	NCB31HK-471X	C CAPACITOR	470pF 50V K						
C557	NCB31HK-471X	C CAPACITOR	470pF 50V K		R1	NRS181J-120X	MG RESISTOR	12Ω 1/8W J	
C558	NCB31EK-473X	C CAPACITOR	0.047uF 25V K		R2	NRSA63J-473X	MG RESISTOR	47kΩ 1/16W J	
C559	NCB31EK-473X	C CAPACITOR	0.047uF 25V K		R4	NRSA63J-332X	MG RESISTOR	3.3kΩ 1/16W J	
C560	NCB31HK-103X	C CAPACITOR	0.01uF 50V K		R5	NRSA63J-473X	MG RESISTOR	47kΩ 1/16W J	
C561	QEKJ1AM-107Z	E CAPACITOR	100uF 10V M		R6	NRSA63J-473X	MG RESISTOR	47kΩ 1/16W J	
C562	NCB31HK-103X	C CAPACITOR	0.01uF 50V K		R7	NRSA63J-472X	MG RESISTOR	4.7kΩ 1/16W J	
C565	NCB31HK-103X	C CAPACITOR	0.01uF 50V K		R9	NRSA63J-470X	MG RESISTOR	47Ω 1/16W J	
C566	QEKJ1AM-107Z	E CAPACITOR	100uF 10V M		R10	NRSA63J-103X	MG RESISTOR	10kΩ 1/16W J	
C568	NCB31EK-104X	C CAPACITOR	0.1uF 25V K		R31	NRS181J-100X	MG RESISTOR	10Ω 1/8W J	
C570	QERF1AM-476Z	E CAPACITOR	47uF 10V M		R32	NRSA63J-622X	MG RESISTOR	6.2kΩ 1/16W J	
C571	NCB31HK-103X	C CAPACITOR	0.01uF 50V K		R33	NRSA63J-103X	MG RESISTOR	10kΩ 1/16W J	

△ Symbol No.	Part No.	Part Name	Description	Local	△ Symbol No.	Part No.	Part Name	Description	Local
R34	NRSA63J-222X	MG RESISTOR	2.2kΩ 1/16W J		R514	NRSA02J-0R0X	MG RESISTOR	0Ω 1/10W J	
R35	NRSA63J-222X	MG RESISTOR	2.2kΩ 1/16W J		R515	NRSA02J-0R0X	MG RESISTOR	0Ω 1/10W J	
R36	NRSA63J-222X	MG RESISTOR	2.2kΩ 1/16W J		R516	NRSA63J-331X	MG RESISTOR	330Ω 1/16W J	
R37	NRSA63J-222X	MG RESISTOR	2.2kΩ 1/16W J		R517	NRSA63J-512X	MG RESISTOR	5.1kΩ 1/16W J	
R38	NRSA63J-101X	MG RESISTOR	100Ω 1/16W J		R518	NRSA02J-822X	MG RESISTOR	8.2kΩ 1/10W J	
R39	NRSA63J-0R0X	MG RESISTOR	0Ω 1/16W J		R523	NRSA63J-823X	MG RESISTOR	82kΩ 1/16W J	
R40	NRSA63J-393X	MG RESISTOR	39kΩ 1/16W J		R524	NRSA63J-823X	MG RESISTOR	82kΩ 1/16W J	
R41	NRSA63J-103X	MG RESISTOR	10kΩ 1/16W J		R525	NRSA63J-334X	MG RESISTOR	330kΩ 1/16W J	
R42	NRS181J-100X	MG RESISTOR	10Ω 1/8W J		R526	NRSA63J-334X	MG RESISTOR	330kΩ 1/16W J	
R43	NRSA63J-471X	MG RESISTOR	470Ω 1/16W J		R527	NRSA02J-220X	MG RESISTOR	22Ω 1/10W J	
R44	NRSA63J-221X	MG RESISTOR	220Ω 1/16W J		R528	NRSA02J-220X	MG RESISTOR	22Ω 1/10W J	
R51	NRSA63J-273X	MG RESISTOR	27kΩ 1/16W J		R529	NRSA63J-823X	MG RESISTOR	82kΩ 1/16W J	
R52	NRSA63J-104X	MG RESISTOR	100kΩ 1/16W J		R530	NRSA63J-563X	MG RESISTOR	56kΩ 1/16W J	
R81	NRSA63J-332X	MG RESISTOR	3.3kΩ 1/16W J		R531	NRSA63J-103X	MG RESISTOR	10kΩ 1/16W J	
R82	NRSA63J-133X	MG RESISTOR	13kΩ 1/16W J		R532	NRSA63J-202X	MG RESISTOR	2kΩ 1/16W J	
R91	NRSA63J-332X	MG RESISTOR	3.3kΩ 1/16W J		R533	NRSA63J-102X	MG RESISTOR	1kΩ 1/16W J	
R92	NRSA63J-133X	MG RESISTOR	13kΩ 1/16W J		R534	NRSA63J-153X	MG RESISTOR	15kΩ 1/16W J	
R162	NRSA63J-223X	MG RESISTOR	22kΩ 1/16W J		R535	NRSA63J-101X	MG RESISTOR	100Ω 1/16W J	
R163	NRSA63J-222X	MG RESISTOR	2.2kΩ 1/16W J		R536	NRSA63J-821X	MG RESISTOR	820Ω 1/16W J	
R164	NRSA63J-473X	MG RESISTOR	47kΩ 1/16W J		R537	NRSA63J-0R0X	MG RESISTOR	0Ω 1/16W J	
R165	NRSA63J-473X	MG RESISTOR	47kΩ 1/16W J		R539	NRSA02J-151X	MG RESISTOR	150Ω 1/10W J	
R172	NRSA63J-223X	MG RESISTOR	22kΩ 1/16W J		R541	NRSA63J-562X	MG RESISTOR	5.6kΩ 1/16W J	
R173	NRSA63J-222X	MG RESISTOR	2.2kΩ 1/16W J		R542	NRSA63J-473X	MG RESISTOR	47kΩ 1/16W J	
R174	NRSA63J-473X	MG RESISTOR	47kΩ 1/16W J		R543	NRSA63J-474X	MG RESISTOR	470kΩ 1/16W J	
R175	NRSA63J-473X	MG RESISTOR	47kΩ 1/16W J		R544	NRSA63J-103X	MG RESISTOR	10kΩ 1/16W J	
R181	NRSA63J-271X	MG RESISTOR	270Ω 1/16W J		R545	NRSA63J-103X	MG RESISTOR	10kΩ 1/16W J	
R182	NRSA63J-271X	MG RESISTOR	270Ω 1/16W J		R546	NRSA63J-0R0X	MG RESISTOR	0Ω 1/16W J	
R301	NRSA63J-273X	MG RESISTOR	27kΩ 1/16W J		R547	NRSA63J-0R0X	MG RESISTOR	0Ω 1/16W J	
R302	NRSA63J-273X	MG RESISTOR	27kΩ 1/16W J		R548	NRSA63J-0R0X	MG RESISTOR	0Ω 1/16W J	
R311	NRSA63J-273X	MG RESISTOR	27kΩ 1/16W J		R549	NRSA63J-101X	MG RESISTOR	100Ω 1/16W J	
R312	NRSA63J-273X	MG RESISTOR	27kΩ 1/16W J		R550	NRSA63J-101X	MG RESISTOR	100Ω 1/16W J	
R341	NRSA63J-222X	MG RESISTOR	2.2kΩ 1/16W J		R551	NRSA63J-101X	MG RESISTOR	100Ω 1/16W J	
R342	NRSA63J-821X	MG RESISTOR	820Ω 1/16W J		R552	NRSA63J-101X	MG RESISTOR	100Ω 1/16W J	
R343	NRSA63J-101X	MG RESISTOR	100Ω 1/16W J		R553	NRSA63J-105X	MG RESISTOR	1MΩ 1/16W J	
R351	NRSA63J-222X	MG RESISTOR	2.2kΩ 1/16W J		R554	NRSA63J-103X	MG RESISTOR	10kΩ 1/16W J	
R352	NRSA63J-821X	MG RESISTOR	820Ω 1/16W J		R555	NRSA63J-103X	MG RESISTOR	10kΩ 1/16W J	
R353	NRSA63J-101X	MG RESISTOR	100Ω 1/16W J		R556	NRSA63J-103X	MG RESISTOR	10kΩ 1/16W J	
R402	NRSA63J-470X	MG RESISTOR	47Ω 1/16W J		R557	NRSA63J-103X	MG RESISTOR	10kΩ 1/16W J	
R404	NRSA63J-103X	MG RESISTOR	10kΩ 1/16W J		R558	NRSA63J-103X	MG RESISTOR	10kΩ 1/16W J	
R405	NRSA63J-225X	MG RESISTOR	2.2MΩ 1/16W J		R559	NRSA63J-155X	MG RESISTOR	1.5MΩ 1/16W J	
R406	NRSA63J-470X	MG RESISTOR	47Ω 1/16W J		R581	NRSA63J-822X	MG RESISTOR	8.2kΩ 1/16W J	
R407	NRSA63J-222X	MG RESISTOR	2.2kΩ 1/16W J		R582	NRSA63J-822X	MG RESISTOR	8.2kΩ 1/16W J	
R408	NRSA63J-222X	MG RESISTOR	2.2kΩ 1/16W J		R583	NRSA63J-822X	MG RESISTOR	8.2kΩ 1/16W J	
R409	NRSA63J-222X	MG RESISTOR	2.2kΩ 1/16W J		R584	NRSA63J-181X	MG RESISTOR	180Ω 1/16W J	
R412	NRSA63J-472X	MG RESISTOR	4.7kΩ 1/16W J		R585	NRSA63J-181X	MG RESISTOR	180Ω 1/16W J	
R413	NRSA63J-472X	MG RESISTOR	4.7kΩ 1/16W J		R586	NRSA63J-682X	MG RESISTOR	6.8kΩ 1/16W J	
R414	NRSA63J-472X	MG RESISTOR	4.7kΩ 1/16W J		R587	NRSA63J-102X	MG RESISTOR	1kΩ 1/16W J	
R415	NRSA63J-473X	MG RESISTOR	47kΩ 1/16W J		R588	NRSA63J-102X	MG RESISTOR	1kΩ 1/16W J	
R416	NRSA63J-102X	MG RESISTOR	1kΩ 1/16W J		R591	NRSA63J-822X	MG RESISTOR	8.2kΩ 1/16W J	
R423	NRSA63J-103X	MG RESISTOR	10kΩ 1/16W J		R592	NRSA63J-822X	MG RESISTOR	8.2kΩ 1/16W J	
R424	NRSA63J-221X	MG RESISTOR	220Ω 1/16W J		R593	NRSA63J-822X	MG RESISTOR	8.2kΩ 1/16W J	
R430	NRSA63J-472X	MG RESISTOR	4.7kΩ 1/16W J		R594	NRSA63J-181X	MG RESISTOR	180Ω 1/16W J	
R431	NRSA63J-103X	MG RESISTOR	10kΩ 1/16W J		R595	NRSA63J-181X	MG RESISTOR	180Ω 1/16W J	
R432	NRSA63J-682X	MG RESISTOR	6.8kΩ 1/16W J		R596	NRSA63J-682X	MG RESISTOR	6.8kΩ 1/16W J	
R433	NRSA63J-101X	MG RESISTOR	100Ω 1/16W J		R597	NRSA63J-102X	MG RESISTOR	1kΩ 1/16W J	
R440	NRSA63J-472X	MG RESISTOR	4.7kΩ 1/16W J		R598	NRSA63J-102X	MG RESISTOR	1kΩ 1/16W J	
R451	NRSA63J-223X	MG RESISTOR	22kΩ 1/16W J		R701	NRSA63J-473X	MG RESISTOR	47kΩ 1/16W J	
R452	NRSA63J-473X	MG RESISTOR	47kΩ 1/16W J		R702	NRSA63J-0R0X	MG RESISTOR	0Ω 1/16W J	
R453	NRSA63J-222X	MG RESISTOR	2.2kΩ 1/16W J		R703	NRSA63J-0R0X	MG RESISTOR	0Ω 1/16W J	
R454	NRSA63J-472X	MG RESISTOR	4.7kΩ 1/16W J		R704	NRSA63J-473X	MG RESISTOR	47kΩ 1/16W J	
R455	NRSA63J-222X	MG RESISTOR	2.2kΩ 1/16W J		R705	NRSA63J-473X	MG RESISTOR	47kΩ 1/16W J	
R456	NRSA63J-472X	MG RESISTOR	4.7kΩ 1/16W J		R708	NRSA63J-332X	MG RESISTOR	3.3kΩ 1/16W J	
R457	NRSA63J-222X	MG RESISTOR	2.2kΩ 1/16W J		R709	NRSA63J-473X	MG RESISTOR	47kΩ 1/16W J	
R458	NRSA63J-472X	MG RESISTOR	4.7kΩ 1/16W J		R710	NRSA63J-471X	MG RESISTOR	470Ω 1/16W J	
R461	NRSA63J-101X	MG RESISTOR	100Ω 1/16W J		R711	NRSA63J-471X	MG RESISTOR	470Ω 1/16W J	
R462	NRSA63J-101X	MG RESISTOR	100Ω 1/16W J		R712	NRSA63J-471X	MG RESISTOR	470Ω 1/16W J	
R481	NRSA63J-181X	MG RESISTOR	180Ω 1/16W J		R713	NRSA63J-471X	MG RESISTOR	470Ω 1/16W J	
R501	NRSA63J-333X	MG RESISTOR	33kΩ 1/16W J		R714	NRSA63J-103X	MG RESISTOR	10kΩ 1/16W J	
R502	NRSA63J-822X	MG RESISTOR	8.2kΩ 1/16W J		R715	NRSA63J-471X	MG RESISTOR	470Ω 1/16W J	
R503	NRSA63J-472X	MG RESISTOR	4.7kΩ 1/16W J		R716	NRSA63J-471X	MG RESISTOR	470Ω 1/16W J	
R504	NRSA63J-153X	MG RESISTOR	15kΩ 1/16W J		R717	NRSA63J-471X	MG RESISTOR	470Ω 1/16W J	
R507	NRSA63J-682X	MG RESISTOR	6.8kΩ 1/16W J		R719	NRSA63J-0R0X	MG RESISTOR	0Ω 1/16W J	
R508	NRSA63J-302X	MG RESISTOR	3kΩ 1/16W J		R720	NRSA63J-122X	MG RESISTOR	1.2kΩ 1/16W J	
R509	NRSA63J-123X	MG RESISTOR	12kΩ 1/16W J		R721	NRSA63J-102X	MG RESISTOR	1kΩ 1/16W J	
R510	NRSA63J-822X	MG RESISTOR	8.2kΩ 1/16W J		R722	NRSA63J-103X	MG RESISTOR	10kΩ 1/16W J	
R511	NRSA63J-152X	MG RESISTOR	1.5kΩ 1/16W J		R723	NRSA63J-103X	MG RESISTOR	10kΩ 1/16W J	
R512	NRSA63J-152X	MG RESISTOR	1.5kΩ 1/16W J		R725	NRSA63J-103X	MG RESISTOR	10kΩ 1/16W J	
R513	NRSA63J-152X	MG RESISTOR	1.5kΩ 1/16W J		R726	NRSA63J-103X	MG RESISTOR	10kΩ 1/16W J	

△ Symbol No. Part No. Part Name Description Local

Switch board

Block No. [0][2]

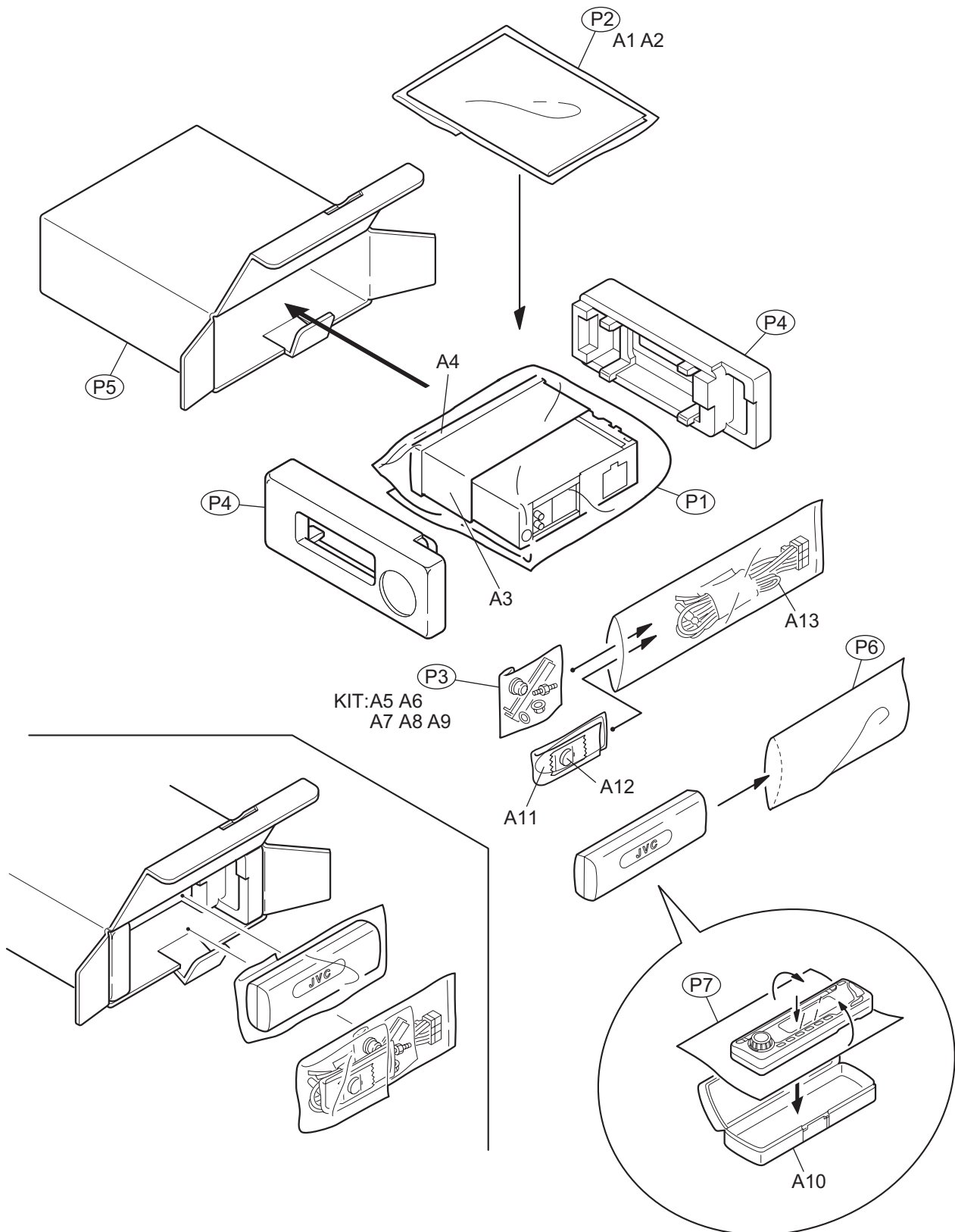
△ Symbol No.	Part No.	Part Name	Description	Local
R728	NRSA63J-103X	MG RESISTOR	10kΩ 1/16W J	
R729	NRSA63J-473X	MG RESISTOR	47kΩ 1/16W J	
R734	NRSA63J-222X	MG RESISTOR	2.2kΩ 1/16W J	
R735	NRSA63J-222X	MG RESISTOR	2.2kΩ 1/16W J	
R736	NRSA63J-222X	MG RESISTOR	2.2kΩ 1/16W J	
R737	NRSA63J-0R0X	MG RESISTOR	0Ω 1/16W J	
R738	NRSA63J-472X	MG RESISTOR	4.7kΩ 1/16W J	
R739	NRSA63J-472X	MG RESISTOR	4.7kΩ 1/16W J	
R740	NRSA63J-472X	MG RESISTOR	4.7kΩ 1/16W J	
R741	NRSA63J-103X	MG RESISTOR	10kΩ 1/16W J	
R743	NRSA63J-103X	MG RESISTOR	10kΩ 1/16W J	
R744	NRSA63J-103X	MG RESISTOR	10kΩ 1/16W J	
R745	NRSA63J-103X	MG RESISTOR	10kΩ 1/16W J	
R746	NRSA63J-103X	MG RESISTOR	10kΩ 1/16W J	
R747	NRSA63J-472X	MG RESISTOR	4.7kΩ 1/16W J	
R748	NRSA63J-472X	MG RESISTOR	4.7kΩ 1/16W J	
R749	NRSA63J-472X	MG RESISTOR	4.7kΩ 1/16W J	
R750	NRSA63J-103X	MG RESISTOR	10kΩ 1/16W J	
R751	NRSA63J-103X	MG RESISTOR	10kΩ 1/16W J	
R752	NRSA63J-473X	MG RESISTOR	47kΩ 1/16W J	
R753	NRSA63J-473X	MG RESISTOR	47kΩ 1/16W J	
R754	NRSA63J-821X	MG RESISTOR	820Ω 1/16W J	
R755	NRSA63J-106X	MG RESISTOR	10MΩ 1/16W J	
R756	NRSA63J-473X	MG RESISTOR	47kΩ 1/16W J	
R757	NRSA63J-222X	MG RESISTOR	2.2kΩ 1/16W J	
R758	NRSA63J-473X	MG RESISTOR	47kΩ 1/16W J	
R760	NRSA63J-473X	MG RESISTOR	47kΩ 1/16W J	
R763	NRSA63J-103X	MG RESISTOR	10kΩ 1/16W J	
R771	NRSA63J-473X	MG RESISTOR	47kΩ 1/16W J	
R772	NRSA63J-103X	MG RESISTOR	10kΩ 1/16W J	
R774	NRSA63J-473X	MG RESISTOR	47kΩ 1/16W J	
R775	NRSA63J-473X	MG RESISTOR	47kΩ 1/16W J	
R777	NRSA63J-473X	MG RESISTOR	47kΩ 1/16W J	
R783	NRSA63J-103X	MG RESISTOR	10kΩ 1/16W J	
R801	NRSA63J-473X	MG RESISTOR	47kΩ 1/16W J	
R802	NRSA63J-473X	MG RESISTOR	47kΩ 1/16W J	
R803	NRSA63J-101X	MG RESISTOR	100Ω 1/16W J	
R804	NRSA63J-223X	MG RESISTOR	22kΩ 1/16W J	
R805	NRSA63J-104X	MG RESISTOR	100kΩ 1/16W J	
R806	NRSA63J-103X	MG RESISTOR	10kΩ 1/16W J	
R807	NRSA63J-104X	MG RESISTOR	100kΩ 1/16W J	
R808	NRSA63J-331X	MG RESISTOR	330Ω 1/16W J	
R809	NRSA63J-223X	MG RESISTOR	22kΩ 1/16W J	
R810	NRSA63J-101X	MG RESISTOR	100Ω 1/16W J	
R901	QRE142J-102X	C RESISTOR	1kΩ 1/4W J	
R902	NRSA02J-912X	MG RESISTOR	9.1kΩ 1/10W J	
R903	NRSA02J-472X	MG RESISTOR	4.7kΩ 1/10W J	
R971	NRS181J-222X	MG RESISTOR	2.2kΩ 1/8W J	
R972	NRS181J-222X	MG RESISTOR	2.2kΩ 1/8W J	
R976	NRSA02J-273X	MG RESISTOR	27kΩ 1/10W J	
R977	NRSA02J-123X	MG RESISTOR	12kΩ 1/10W J	
L1	QQL244J-4R7Z	INDUCTOR	4.7uH J	
L401	NQL114K-470X	INDUCITOR	47uH K	
L402	NQL114K-470X	INDUCITOR	47uH K	
L404	NQL114K-470X	INDUCITOR	47uH K	
L541	NQL114K-470X	INDUCITOR	47uH K	
L543	NQL114K-470X	INDUCITOR	47uH K	
L544	NQL114K-470X	INDUCITOR	47uH K	
L701	QQL244J-4R7Z	INDUCTOR	4.7uH J	
L901	QQR0703-001	CHOKE COIL		
CN501	QGB2027M4-22S	CONNECTOR	B-B (1-22)	
CN701	QGZ1601J1-15	CONNECTOR	(1-15)	
CN901	QNZ0611-001	16P CONNECTOR		
J1	QNB0100-002	CAR ANT JACK		
J321	QNN0519-001	PIN JACK		
J801	QNZ0095-001	CONNECTOR		
TU1	QAU0312-002	TUNER PACK		
X31	QAX0616-001Z	CRYSTAL	10.250MHz	
X401	QAX0413-001Z	CRYSTAL	16.9344MHz	
X701	QAX0617-001Z	CRYSTAL	12.500MHz	
X702	QAX0401-001	CRYSTAL	32.768KHz	

△ Symbol No.	Part No.	Part Name	Description	Local
IC661	PT6523LQ-L	LCD DRIVER		
IC681	RPM7338-V4	RM.RECEIVER		
Q670	2SB624/4/-X	TRANSISTOR		
Q671	UN2211-X	TRANSISTOR		
D630	SML-310LT/MN/-X	LED		
D631	LNJ308G81/1-3/X	LED		
D632	LNJ308G81/1-3/X	LED		
D633	LNJ308G81/1-3/X	LED		
D634	LNJ308G81/1-3/X	LED		
D635	LNJ308G81/1-3/X	LED		
D636	SML-310VT/JK/-X	LED		
D637	SML-310VT/JK/-X	LED		
D638	LNJ308G81/1-3/X	LED		
D639	LNJ308G81/1-3/X	LED		
D640	LNJ308G81/1-3/X	LED		
D641	LNJ308G81/1-3/X	LED		
D642	LNJ308G81/1-3/X	LED		
D643	LNJ308G81/1-3/X	LED		
D644	LNJ308G81/1-3/X	LED		
D645	LNJ308G81/1-3/X	LED		
D646	LNJ308G81/1-3/X	LED		
D647	LNJ308G81/1-3/X	LED		
D648	LNJ308G81/1-3/X	LED		
D649	LNJ308G81/1-3/X	LED		
D650	LNJ308G81/1-3/X	LED		
D651	LNJ308G81/1-3/X	LED		
D652	NSPW310BS/BRS/	LED		
D653	NSPW310BS/BRS/	LED		
D661	MA111-X	SI DIODE		
D662	MA8051/M/-X	Z DIODE		
D681	MA8062/M/-X	Z DIODE		
C661	NBE20JM-106X	TA E CAPACITOR	10uF 6.3V M	
C662	NCS31HJ-681X	C CAPACITOR	680pF 50V J	
C663	NCB31HK-223X	C CAPACITOR	0.022uF 50V K	
C681	NBE20JM-475X	TA E CAPACITOR	4.7uF 6.3V M	
C686	NCB31HK-223X	C CAPACITOR	0.022uF 50V K	
C687	NCB31HK-223X	C CAPACITOR	0.022uF 50V K	
R601	NRSA63J-821X	MG RESISTOR	820Ω 1/16W J	
R602	NRSA63J-821X	MG RESISTOR	820Ω 1/16W J	
R603	NRSA63J-122X	MG RESISTOR	1.2kΩ 1/16W J	
R604	NRSA63J-182X	MG RESISTOR	1.8kΩ 1/16W J	
R605	NRSA63J-272X	MG RESISTOR	2.7kΩ 1/16W J	
R606	NRSA63J-821X	MG RESISTOR	820Ω 1/16W J	
R607	NRSA63J-821X	MG RESISTOR	820Ω 1/16W J	
R608	NRSA63J-122X	MG RESISTOR	1.2kΩ 1/16W J	
R609	NRSA63J-182X	MG RESISTOR	1.8kΩ 1/16W J	
R610	NRSA63J-821X	MG RESISTOR	820Ω 1/16W J	
R611	NRSA63J-821X	MG RESISTOR	820Ω 1/16W J	
R612	NRSA63J-122X	MG RESISTOR	1.2kΩ 1/16W J	
R613	NRSA63J-182X	MG RESISTOR	1.8kΩ 1/16W J	
R614	NRSA63J-272X	MG RESISTOR	2.7kΩ 1/16W J	
R615	NRSA63J-392X	MG RESISTOR	3.9kΩ 1/16W J	
R630	NRSA02J-821X	MG RESISTOR	820Ω 1/10W J	
R631	NRSA02J-471X	MG RESISTOR	470Ω 1/10W J	
R633	NRSA02J-331X	MG RESISTOR	330Ω 1/10W J	
R637	NRSA02J-821X	MG RESISTOR	820Ω 1/10W J	
R639	NRSA02J-331X	MG RESISTOR	330Ω 1/10W J	
R641	NRSA02J-331X	MG RESISTOR	330Ω 1/10W J	
R643	NRSA02J-471X	MG RESISTOR	470Ω 1/10W J	
R645	NRSA02J-471X	MG RESISTOR	470Ω 1/10W J	
R647	NRSA02J-471X	MG RESISTOR	470Ω 1/10W J	
R649	NRS181J-391X	MG RESISTOR	390Ω 1/8W J	
R650	NRS181J-391X	MG RESISTOR	390Ω 1/8W J	
R651	NRSA02J-471X	MG RESISTOR	470Ω 1/10W J	
R661	NRSA63J-222X	MG RESISTOR	2.2kΩ 1/16W J	
R662	NRSA63J-222X	MG RESISTOR	2.2kΩ 1/16W J	
R663	NRSA63J-184X	MG RESISTOR	180kΩ 1/16W J	
R664	NRSA63J-103X	MG RESISTOR	10kΩ 1/16W J	
R665	NRSA63J-513X	MG RESISTOR	51kΩ 1/16W J	
R666	NRSA63J-103X	MG RESISTOR	10kΩ 1/16W J	

△ Symbol No.	Part No.	Part Name	Description	Local
R667	NRSA63J-103X	MG RESISTOR	10kΩ 1/16W J	
R668	NRSA63J-103X	MG RESISTOR	10kΩ 1/16W J	
R670	NRS181J-471X	MG RESISTOR	470Ω 1/8W J	
R671	NRSA63J-473X	MG RESISTOR	47kΩ 1/16W J	
R672	NRS181J-102X	MG RESISTOR	1kΩ 1/8W J	
R681	NRSA63J-471X	MG RESISTOR	470Ω 1/16W J	
R682	NRSA63J-103X	MG RESISTOR	10kΩ 1/16W J	
R686	NRSA63J-101X	MG RESISTOR	100Ω 1/16W J	
R687	NRSA63J-473X	MG RESISTOR	47kΩ 1/16W J	
R688	NRSA63J-473X	MG RESISTOR	47kΩ 1/16W J	
CJ601	QGZ1601K1-15S	CONNECTOR	(1-15)	
JS686	QSW0793-001	ROTARY ENCODER		
S601	NSW0124-001X	TACT SW		
S602	NSW0124-001X	TACT SW		
S603	NSW0124-001X	TACT SW		
S604	NSW0124-001X	TACT SW		
S605	NSW0124-001X	TACT SW		
S606	NSW0124-001X	TACT SW		
S607	NSW0124-001X	TACT SW		
S608	NSW0124-001X	TACT SW		
S609	NSW0124-001X	TACT SW		
S610	NSW0124-001X	TACT SW		
S611	NSW0124-001X	TACT SW		
S612	NSW0124-001X	TACT SW		
S613	NSW0124-001X	TACT SW		
S614	NSW0124-001X	TACT SW		
S615	NSW0124-001X	TACT SW		
S616	NSW0124-001X	TACT SW		
S617	NSW0124-001X	TACT SW		
S618	NSW0124-001X	TACT SW		

Packing materials and accessories parts list

Block No. M 3 M M



Packing and Accessories

Block No. [M][3][M][M]

△ Symbol No.	Part No.	Part Name	Description	Local
A 1	GET0291-001A	INST. BOOKL	ENG THA	
A 2	GET0291-002A	INSTALL MANUAL		
A 3	GE20137-003A	MOUNTING SLEEVE		
A 4	GE20135-004A	TRIM PLATE		
A 5	VKZ4027-202	PLUG NUT		
A 6	VKH4871-003	MOUNT BOLT		
A 7	VKZ4328-003	LOCK NUT		
A 8	QYWWS53A008ZA	WASHER	0mm/5.3mm x	
A 9	GE40130-002A	HOOK	(x2)	
A 10	FSJB3002-00C	HARD CASE		
A 11	RM-RK50	REMOCON UNIT		
A 12	-----	BATTERY		
A 13	QAM0013-007	16P CORD ASSY		
KIT	SRW-385U	SCREW PARTS KIT	A5 A6 A7 A8 A9	
P 1	QPC03004315P	POLY BAG	30cm x 43cm	
P 2	FSPG4002-001	POLY BAG		
P 3	QPA00801205	POLY BAG	8cm x 12cm	
P 4	GE10070-003A	EPS CUSHION		
P 5	GE31650-001A	CARTON		
P 6	QPA01003003	POLY BAG	10cm x 30cm	
P 7	FSYH4036-068	SHEET		